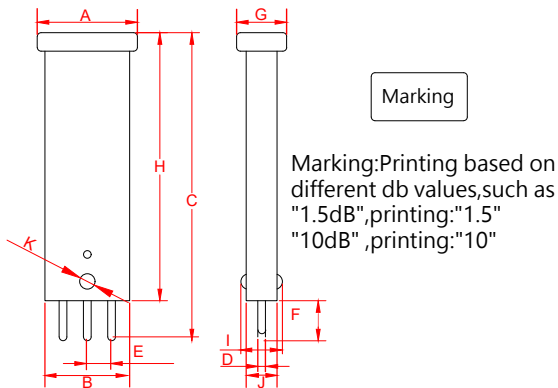


1.8GHz Fixed Attenuator

Outline Drawing(mm) Features



- RF Power:0.15W Max.
- Pin material:Brass H62.
- Plastic material:PC (ABS) alloy.
- Electrical Interface:3 pins, center ground.
- Body Material/Color:Yellow, Black, Blue, etc
- Operating temperature range:-40°Cto+120°C
- Storage temperature range: -45°C to +125°C
- dB value of attenuator printed on "T" handle,Black.
- The plug in Attenuators Bandwidth in 5 to 1218 MHz.
- The plug in Attenuators are used in Amplifier/Node Setup.
- The plug in Attenuators are available from 0 to 30dB in 0.5dB steps.



Part Number	A±0.30	B±0.30	C±0.50	D±0.05	E±0.10	F±0.50	G±0.30	H±0.50	I±0.30	J±0.30	K Ref
EFA-12 Series	13.00	11.00	17.00	1.00	3.175	5.00	6.50	12.00	Not	4.00	Not
EFA-26 Series	13.00	11.00	31.00	1.00	3.175	5.00	6.50	26.00	Not	4.00	Not
EFA-35 Series	13.00	11.00	40.00	1.00	3.175	5.00	6.50	35.00	5.50	4.00	1.80

RF Parameters Per dB Range: TA =-40~120°C, ZO = 75 Ω,

Part Number	Attenuation dB value	Insertion Loss dB(Tol) 5-750MHz	Insertion Loss dB(Tol) 5-1200MHz	Insertion Loss dB(Tol) 5-1800MHz	Return Loss dB (Max) 5-750MHz	Return Loss dB (Max) 5-1200MHz	Return Loss dB(Max) 5-1800MHz
EFA-12-XX EFA-26-XX EFA-35-XX	0.0	±0.10	±0.20	±0.30	-26.0	-20.0	-18.0
	0.5	±0.10	±0.20	±0.30	-26.0	-20.0	-18.0
	1.0	±0.20	±0.30	±0.40	-25.0	-20.0	-18.0
	1.5	±0.20	±0.30	±0.40	25.0	-20.0	-18.0
	2.0	±0.20	±0.30	±0.40	-25.0	-20.0	-18.0
	2.5	±0.20	±0.30	±0.40	25.0	-20.0	-18.0
	3.0	±0.20	±0.30	±0.40	-25.0	-20.0	-18.0
	3.5	±0.20	±0.30	±0.40	-25.0	-20.0	-18.0
	4.0	±0.20	±0.30	±0.40	-25.0	-20.0	-18.0
	4.5	±0.20	±0.30	±0.40	-25.0	-20.0	-18.0
	5.0	±0.20	±0.30	±0.40	-25.0	-20.0	-18.0
	5.5	±0.20	±0.30	±0.40	-25.0	-20.0	-18.0
	6.0	±0.20	±0.30	±0.40	-25.0	-20.0	-18.0
	6.5	±0.20	±0.30	±0.40	-25.0	-20.0	-18.0
	7.0	±0.20	±0.30	±0.40	-25.0	-20.0	-18.0
	7.5	±0.20	±0.30	±0.40	-25.0	-20.0	-18.0
	8.0	±0.20	±0.30	±0.40	-25.0	-20.0	-18.0
	8.5	±0.20	±0.30	±0.40	-25.0	-20.0	-18.0
	9.0	±0.20	±0.30	±0.40	-25.0	-20.0	-18.0
	9.5	±0.20	±0.30	±0.40	-25.0	-20.0	-18.0
	10.0	±0.20	±0.30	±0.40	-25.0	-20.0	-18.0
	10.5	±0.20	±0.30	±0.40	-25.0	-20.0	-18.0
	11.0	±0.20	±0.30	±0.40	-25.0	-20.0	-18.0
	11.5	±0.20	±0.30	±0.40	-25.0	-20.0	-18.0
	12.0	±0.20	±0.30	±0.40	-25.0	-20.0	-18.0
	12.5	±0.20	±0.30	±0.40	-25.0	-20.0	-18.0
	13.0	±0.20	±0.30	±0.40	-25.0	-20.0	-18.0
	13.5	±0.20	±0.30	±0.40	-25.0	-20.0	-18.0
	14.0	±0.20	±0.30	±0.40	-25.0	-20.0	-18.0
	14.5	±0.20	±0.30	±0.40	-25.0	-20.0	-18.0
	15.0	±0.20	±0.30	±0.40	-25.0	-20.0	-18.0
	15.5	±0.20	±0.30	±0.40	-25.0	-20.0	-18.0
	16.0	±0.20	±0.30	±0.40	-25.0	-20.0	-18.0
	16.5	±0.20	±0.30	±0.40	-25.0	-20.0	-18.0
	17.0	±0.20	±0.30	±0.40	-25.0	-20.0	-18.0
	17.5	±0.20	±0.30	±0.40	-25.0	-20.0	-18.0
	18.0	±0.20	±0.30	±0.40	-25.0	-20.0	-18.0
18.5	±0.20	±0.30	±0.40	-25.0	-20.0	-18.0	
19.0	±0.20	±0.30	±0.40	-25.0	-20.0	-18.0	
19.5	±0.20	±0.30	±0.40	-25.0	-20.0	-18.0	
20.0	±0.20	±0.30	±0.40	-25.0	-20.0	-18.0	