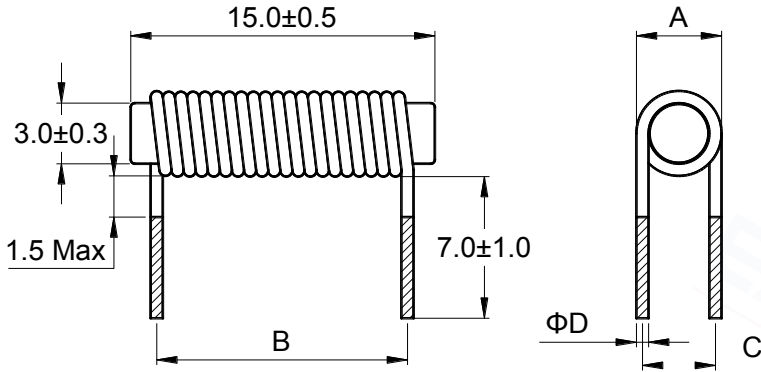


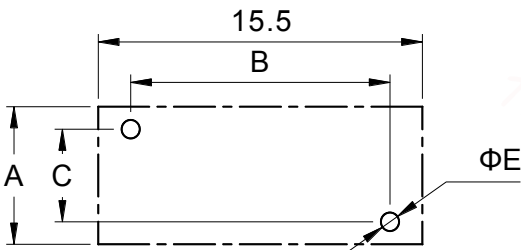
# Rod Choke Inductor



## 1 外形尺寸 Appearance and dimensions (mm)



## 2 参考焊孔尺寸 Reference hole pattern (mm)



| Part No.<br>型号 | A    | B    | C    | D     | E    |
|----------------|------|------|------|-------|------|
|                | Max  | ±1.0 | ±0.5 | ±0.15 | Ref. |
| 2R2            | 5.20 | 9.00 | 3.70 | 0.70  | 1.10 |
| 3R3            | 4.90 | 10.5 | 3.60 | 0.65  | 1.10 |
| 4R7            | 4.80 | 13.0 | 3.60 | 0.60  | 1.00 |
| 6R8            | 4.60 | 11.5 | 3.50 | 0.45  | 0.90 |
| 100            | 4.30 | 13.0 | 3.40 | 0.40  | 0.80 |

## 3 电气特性 Electrical characteristics

| Part No.<br>型号 | Inductance (μH)<br>电感值 ※1<br>±20% | D.C.R. (mΩ)<br>直流电阻 |      | Saturation<br>current (A)<br>饱和电流 ※2<br>Typical | Temperature rise<br>current (A)<br>温升电流 ※3<br>Typical |
|----------------|-----------------------------------|---------------------|------|---|---|
|                |                                   | Typical             | Max  |   |   |
|                |                                   | RAR0315-2R2M        | 2.20 |   |   |
| RAR0315-3R3M   | 3.30                              | 10.1                | 13.2 | 5.50  | 8.00  |
| RAR0315-4R7M   | 4.70                              | 14.8                | 19.2 | 4.00  | 6.60  |
| RAR0315-6R8M   | 6.80                              | 28.6                | 37.1 | 3.50  | 4.70  |
| RAR0315-100M   | 10.0                              | 42.9                | 55.8 | 3.20  | 3.90  |

All data is tested based on 25°C ambient temperature.  
所有数据基于环境温度 25°C 条件下测试。

※1 Inductance measure condition at 1kHz, 0.25V.  
电感测试条件为 1kHz, 0.25V。

※2 Saturation current: the actual value of DC current when the inductance decrease 20% of its initial value.  
饱和电流: 电感值下降其初始值的 20% 时所加载的实际直流电流值。

※3 Temperature rise current: the actual value of DC current when the temperature rise is ΔT40°C (Ta=25°C).  
温升电流: 使产品温度上升到 ΔT40°C 时所加载的实际直流电流值 (Ta=25°C)。

※ Special remind: Circuit design, component placement, PWB size and thickness, cooling system and etc. all will affect the product temperature. Please verify the product temperature in the final application.  
特别提醒: 线路设计, 组件布局, 印刷电路板(PWB)尺寸及厚度, 散热系统等均会影响产品温度。  
请务必在最终应用时, 验证产品发热状况。