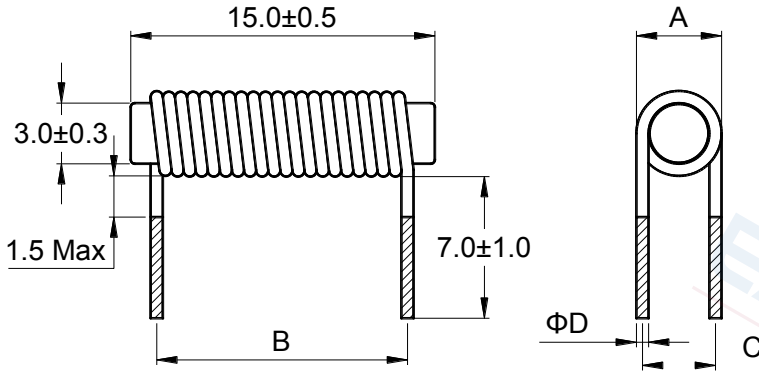


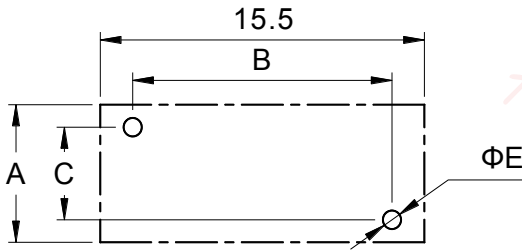
Rod Choke Inductor



1 外形尺寸 Appearance and dimensions (mm)



2 参考焊孔尺寸 Reference hole pattern (mm)



Part No. 型号	A	B	C	D	E
	Max	±1.0	±0.5	±0.15	Ref.
2R2	5.20	9.00	3.70	0.70	1.10
3R3	4.90	10.5	3.60	0.65	1.10
4R7	4.80	13.0	3.60	0.60	1.00
6R8	4.60	11.5	3.50	0.45	0.90
100	4.30	13.0	3.40	0.40	0.80

3 电气特性 Electrical characteristics

Part No. 型号	Inductance (μH) 电感值 ※1 ±20%	D.C.R. (mΩ) 直流电阻		Saturation current (A) 饱和电流 ※2 Typical	Temperature rise current (A) 温升电流 ※3 Typical
		Typical	Max		
		RAR0315-2R2M	2.20		
RAR0315-3R3M	3.30	10.1	13.2	5.50	8.00
RAR0315-4R7M	4.70	14.8	19.2	4.00	6.60
RAR0315-6R8M	6.80	28.6	37.1	3.50	4.70
RAR0315-100M	10.0	42.9	55.8	3.20	3.90

All data is tested based on 25°C ambient temperature.
所有数据基于环境温度 25°C 条件下测试。

※1 Inductance measure condition at 1kHz, 0.25V.
电感测试条件为 1kHz, 0.25V。

※2 Saturation current: the actual value of DC current when the inductance decrease 20% of its initial value.
饱和电流: 电感值下降其初始值的 20% 时所加载的实际直流电流值。

※3 Temperature rise current: the actual value of DC current when the temperature rise is ΔT40°C (Ta=25°C).
温升电流: 使产品温度上升到 ΔT40°C 时所加载的实际直流电流值 (Ta=25°C)。

※ Special remind: Circuit design, component placement, PWB size and thickness, cooling system and etc. all will affect the product temperature. Please verify the product temperature in the final application.
特别提醒: 线路设计, 组件布局, 印刷电路板(PWB)尺寸及厚度, 散热系统等均会影响产品温度。
请务必在最终应用时, 验证产品发热状况。