

Features:

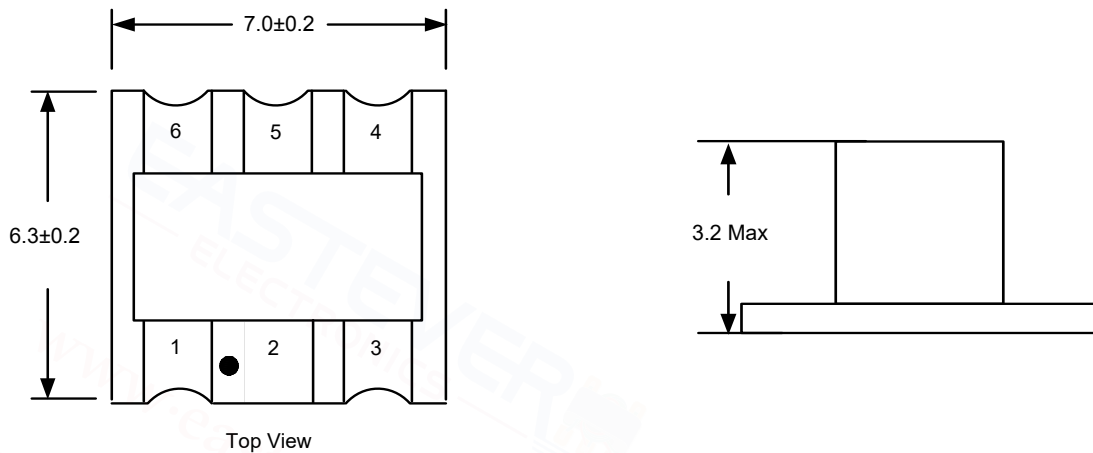
- ◆ Input Power: 250mW Max
- ◆ DC Current: 300 mA Max
- ◆ 260°C reflow compatible
- ◆ RoHS Compliant and Pb free
- ◆ Operating temperature range: -40°C to +85°C
- ◆ Storage temperature range: -55°C to +100°C



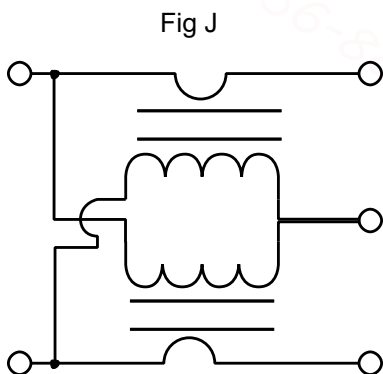
Applications:

- ◆ For Docsis 3.0 & 3.1 Cable Modem.
- ◆ For Wideband Push-pull Amplifiers.
- ◆ For CATV Amplifiers Module & Set top box.
- ◆ For CATV Optical Receivers and Amplifiers.
- ◆ For VHF/UHF Transmitters and Push-pull Amplifiers.

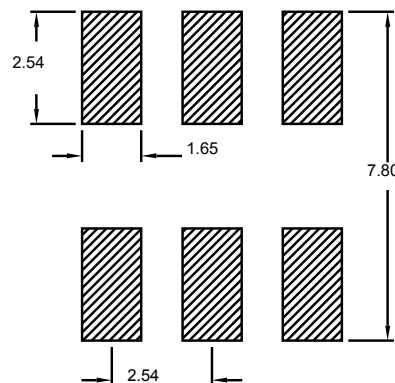
Dimension diagram (Unit:mm) :



Electrical structure:



Recommended layout(mm):



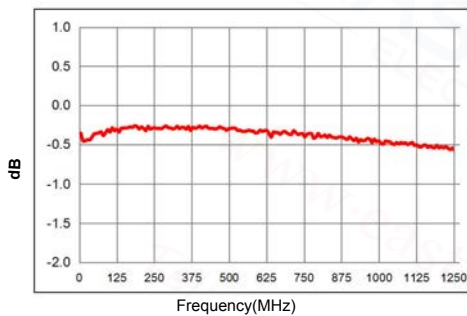
Pin configuration:

Pin No.	Function
1	Input
2	Ground
3	Coupled
4	Isolated
6	Output

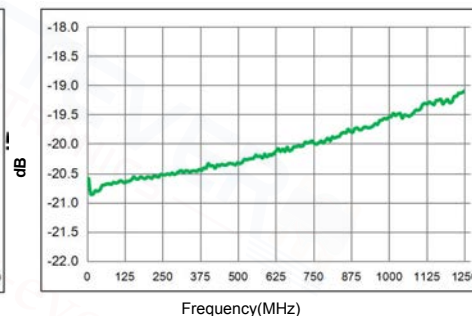
Electrical Specifications: TA=25°C, 0dBm, Z0=75Ω:

Parameter	Test Conditions	Units	Min	Typ	Max
Main line Loss	5-1250MHz	dB	—	0.4	1.0
Coupling	5-1250MHz	dB	—	20.0	±1.0
Input Return Loss	5-1250MHz	dB	16.0	22.0	—
Output Return Loss	5-1250MHz	dB	16.0	25.0	—
Coupling Return Loss	5-1250MHz	dB	16.0	27.0	—
Isolation	5-1250MHz	dB	20.0	30.0	—

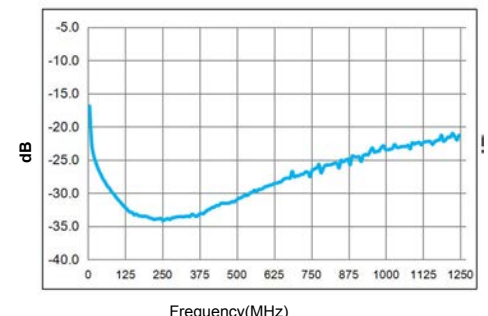
Main line Loss(pin1-6):



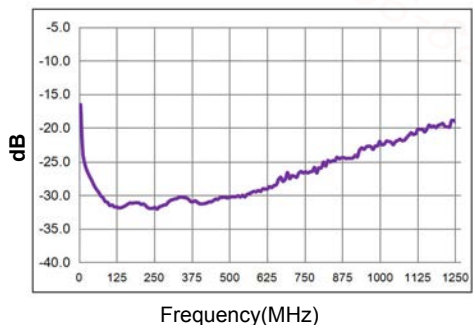
Coupling(pin1-3):



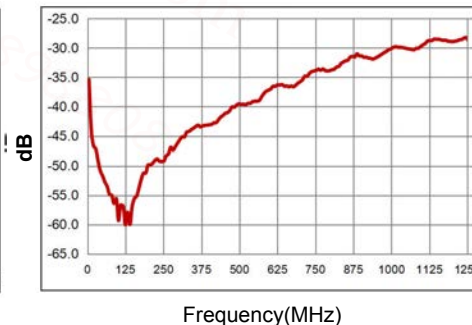
Input Return Loss (Pin1)



Coupling Return Loss (Pin3)



Isolation Pin1-4)



Output Return Loss (Pin6)

