

Features::

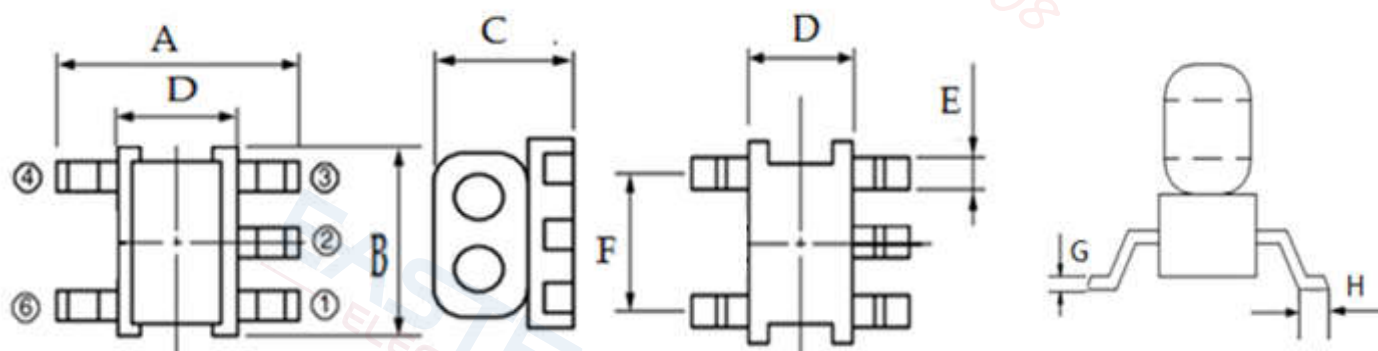
- ◆ 1: 9CT Impedance
- ◆ 50Ω Impedance
- ◆ Frequency: 5 to 250 MHz
- ◆ RF power: 0.50W
- ◆ DC current: 30mA
- ◆ Good return loss
- ◆ Operating temperature range: -40°C to +85°C
- ◆ Storage temperature range: -55°C to +125°C



Applications:

- ◆ For Broadband CATV applications.
- ◆ For VHF/UHF receivers/transmitters and push-pull amplifiers

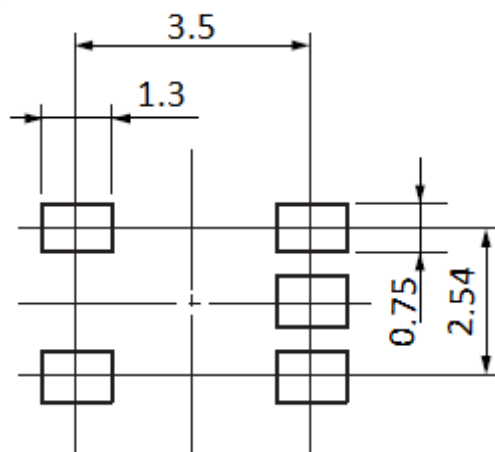
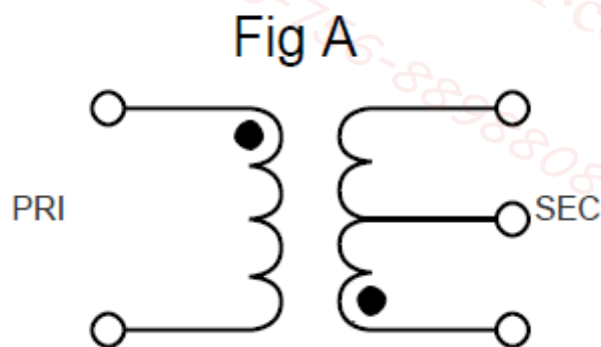
Dimension Diagram (Unit:mm) :



A=4.10±0.20 B=3.80±0.20 C=3.20±0.20 D=2.80±0.20 E=0.55±0.05 F=2.54±0.05 G=0.25±0.05 H=0.60±0.05

Electrical structure:

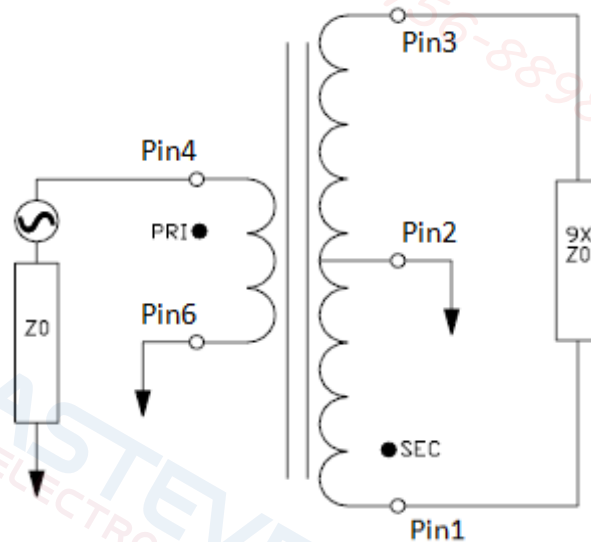
Recommended layout:



Pin configuration:

Pin No.	Function
1	Secondary (Output 2)
2	Centre tap (Ground)
3	Secondary dot (Output 1)
4	Primary dot (Input)
6	Primary (Ground)

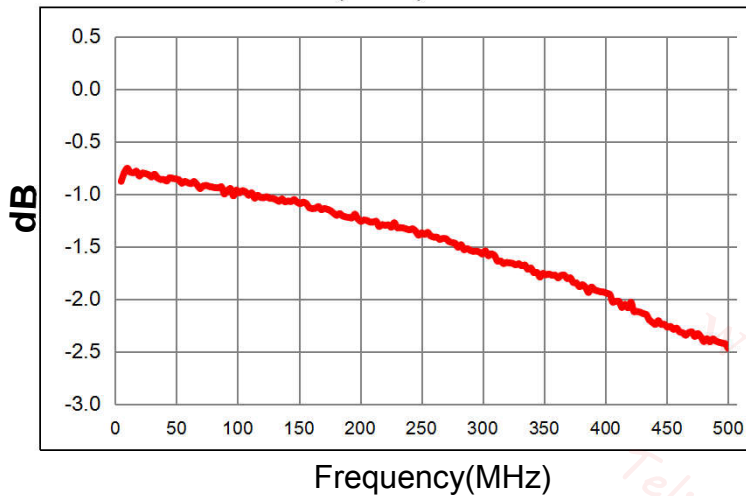
Application circuit :



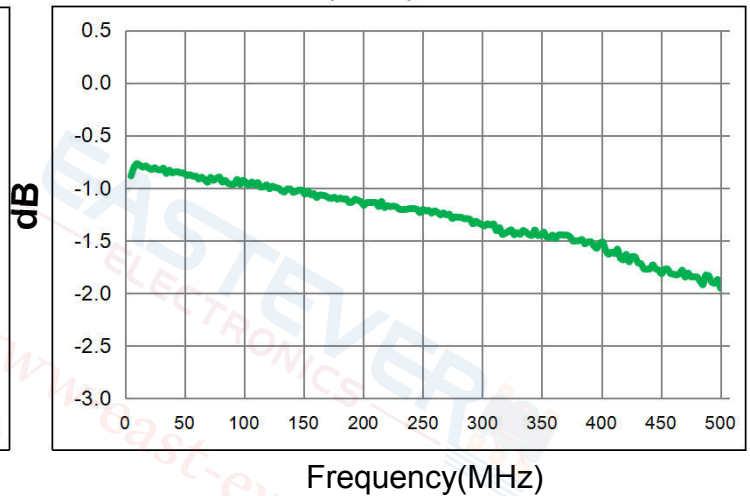
Electrical Specifications: TA=25°C, 0dBm, Z0=50Ω:

Parameter	Test Conditions	Units	Min	Typ	Max
Main line Loss(out1)	5-250MHz	dB	—	1.30	2.00
Main line Loss(out2)	5-250MHz	dB	—	1.20	2.00
Amplitude Balance	5-250MHz	dB	0.00	0.20	1.00
Phase Balance	5-250MHz	Degrees	0.00	1.50	10.00
Input Return Loss	5-250MHz	dB	8.00	15.00	—

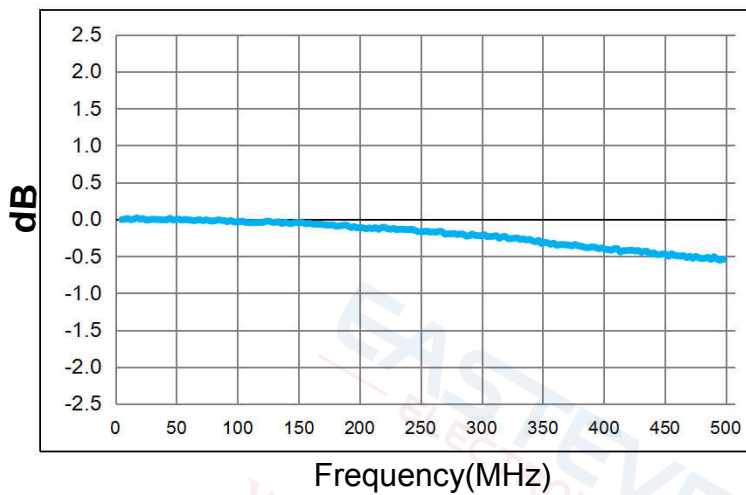
Main line Loss(out1)



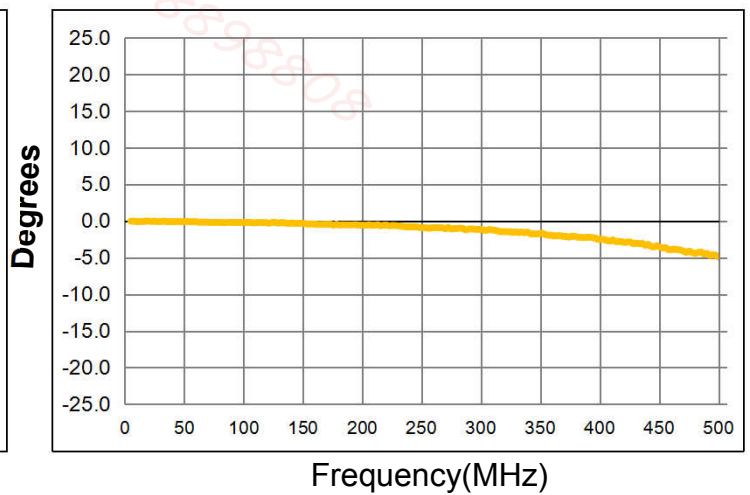
Main line Loss(out2)



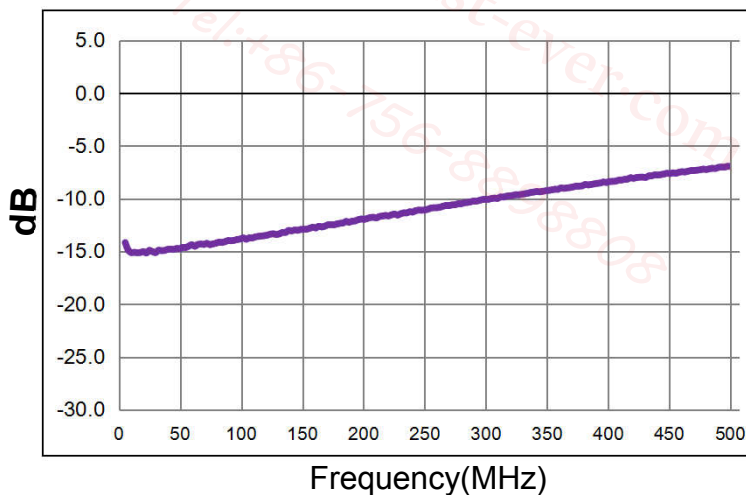
Amplitude Balance



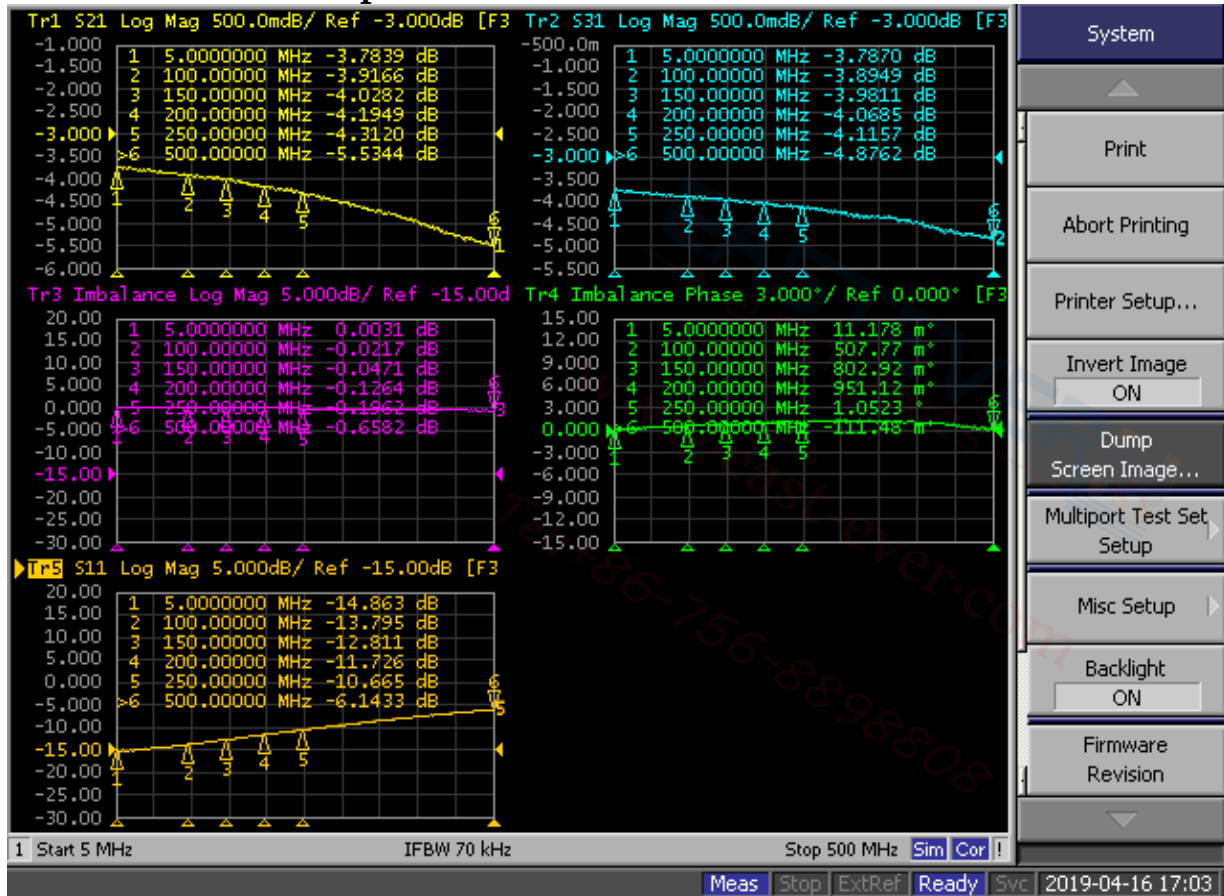
Phase Balance



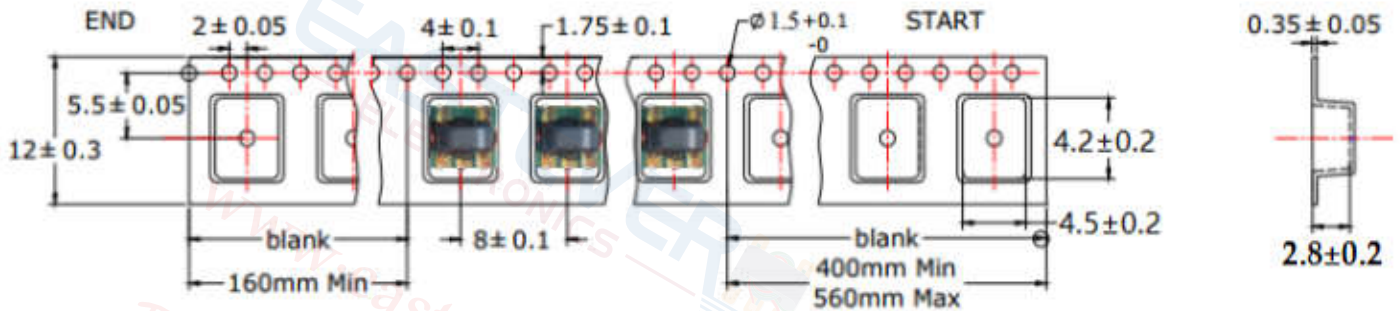
Input Return Loss



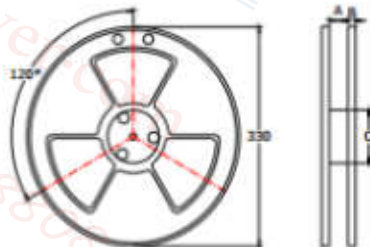
B004-458PT-0355-G081 Sample Test Data Sheet:



Packing Dimension For Caeier Tape(UNIT:mm):



QUANTITY
2000pcs/reel
4Reel/Middle Carton
4Middle Carton/Big Carton
32000pcs/Big Carton



SPEC	8	12	16	24
DIM A±0.1	8.5	12.5	16.5	24.5
DIM B±0.1	2.3	2.3	2.3	2.3
DIM C±0.1	100	100	100	100

