

Features::

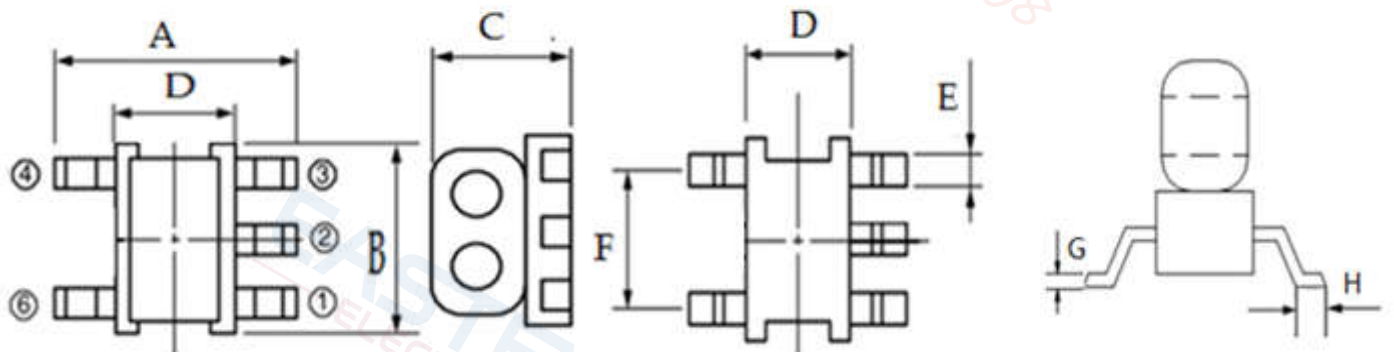
- ◆ 1: 1 Impedance
- ◆ 75Ω Impedance
- ◆ Frequency: 46 to 1002 MHz
- ◆ RF power: 0.25W
- ◆ DC current: 50mA
- ◆ Insertion loss: 0.8dB Max; Input Return loss: 16.0dB Min
- ◆ Operating temperature range: -40°C to +85°C
- ◆ Storage temperature range: -55°C to +100°C



Applications:

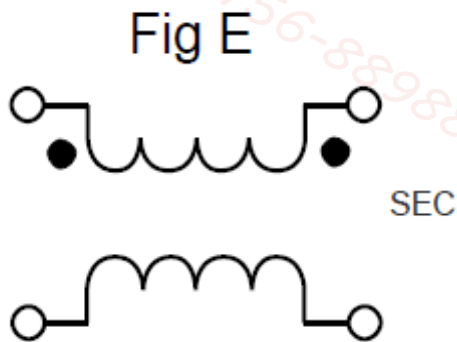
- ◆ For CATV broad-band
- ◆ For Satellite STB/Subscriber applications.

Dimension Diagram (Unit:mm) :

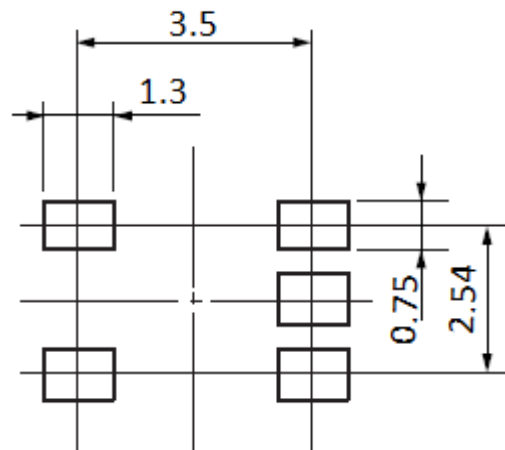


A=4.10±0.20 B=3.80±0.20 C=3.20±0.20 D=2.80±0.20 E=0.55±0.05 F=2.54±0.05 G=0.25±0.05 H=0.60±0.05

Electrical structure:



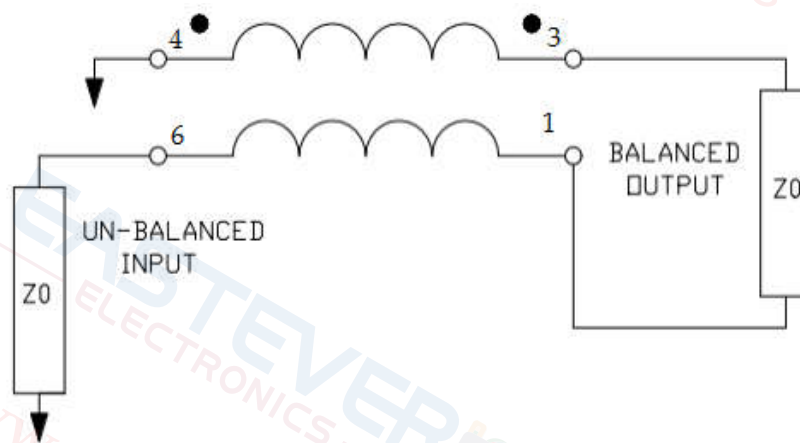
Recommended layout:



Pin configuration:

Pin No.	Function
1	Secondary (Output 1)
2	Not connected
3	Secondary dot (Output 2)
4	Primary dot (Ground)
6	Primary (Input)

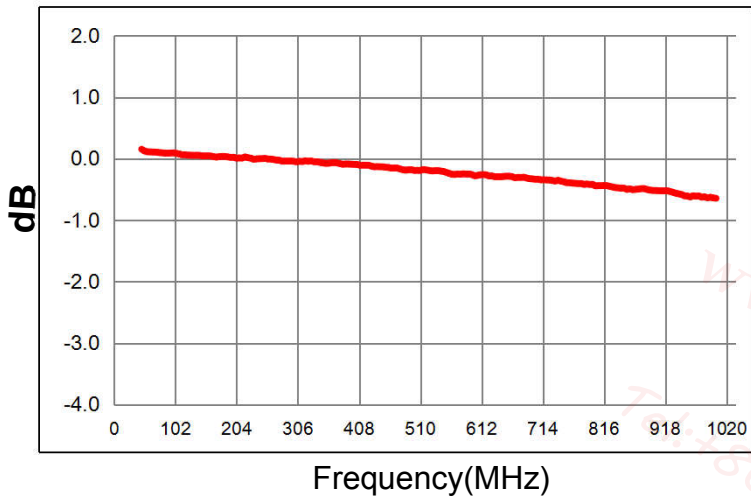
Application circuit :



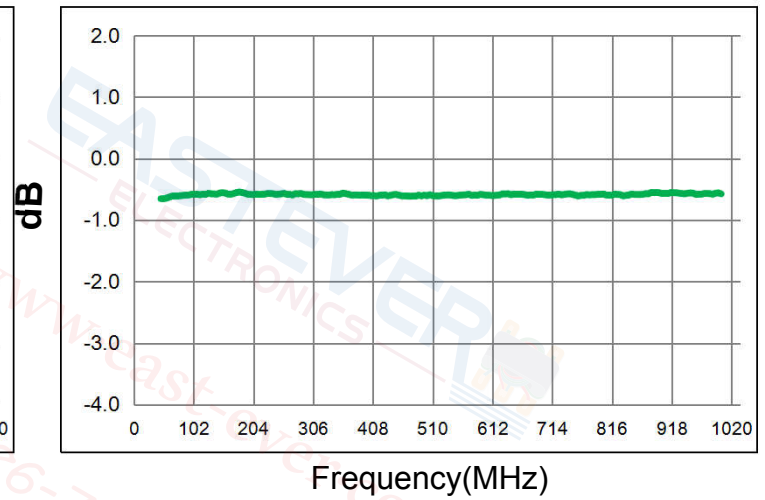
Electrical Specifications: TA=25°C, 0dBm, Z0=75Ω:

Parameter	Test Conditions	Units	Min	Typ	Max
Main line Loss(out1)	46-1002MHz	dB	-	0.6	0.8
Main line Loss(out2)	46-1002MHz	dB	-	0.5	0.7
Amplitude Balance	46-1002MHz	dB	0.0	0.4	1.0
Phase Balance	46-1002MHz	Degrees	0.0	3.0	10.0
Input Return Loss	45-1002MHz	dB	16.0	30.0	—

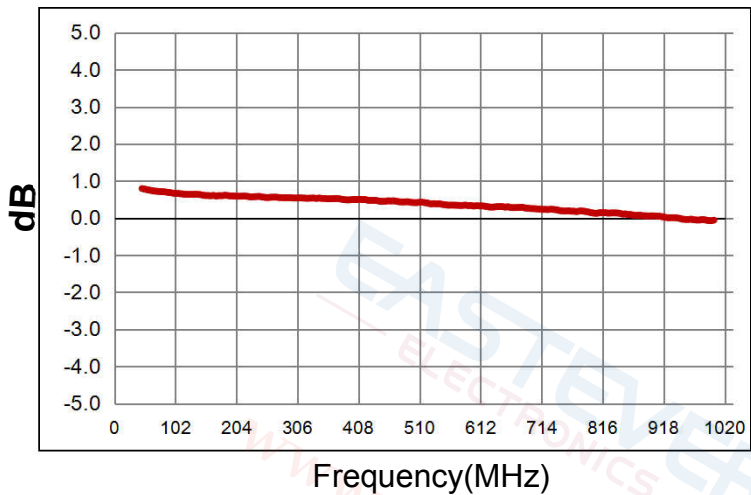
Main line Loss(out1)



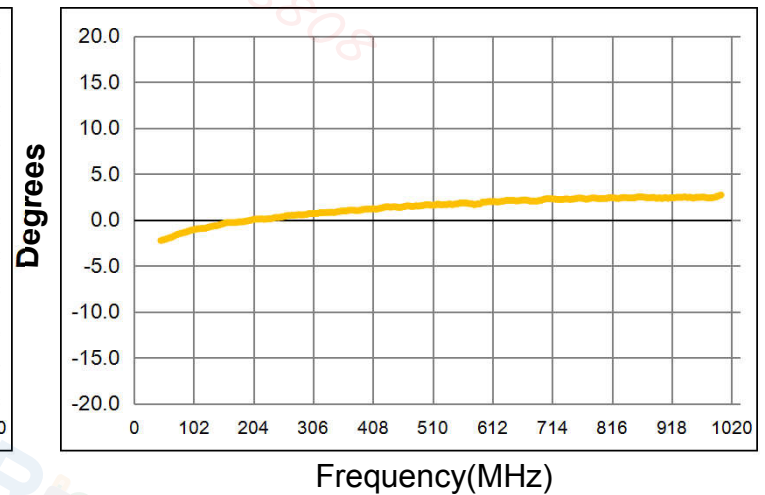
Main line Loss(out2)



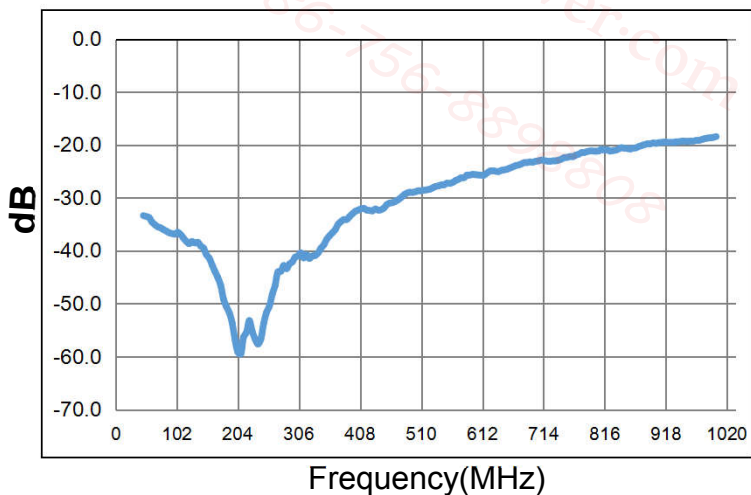
Amplitude Balance



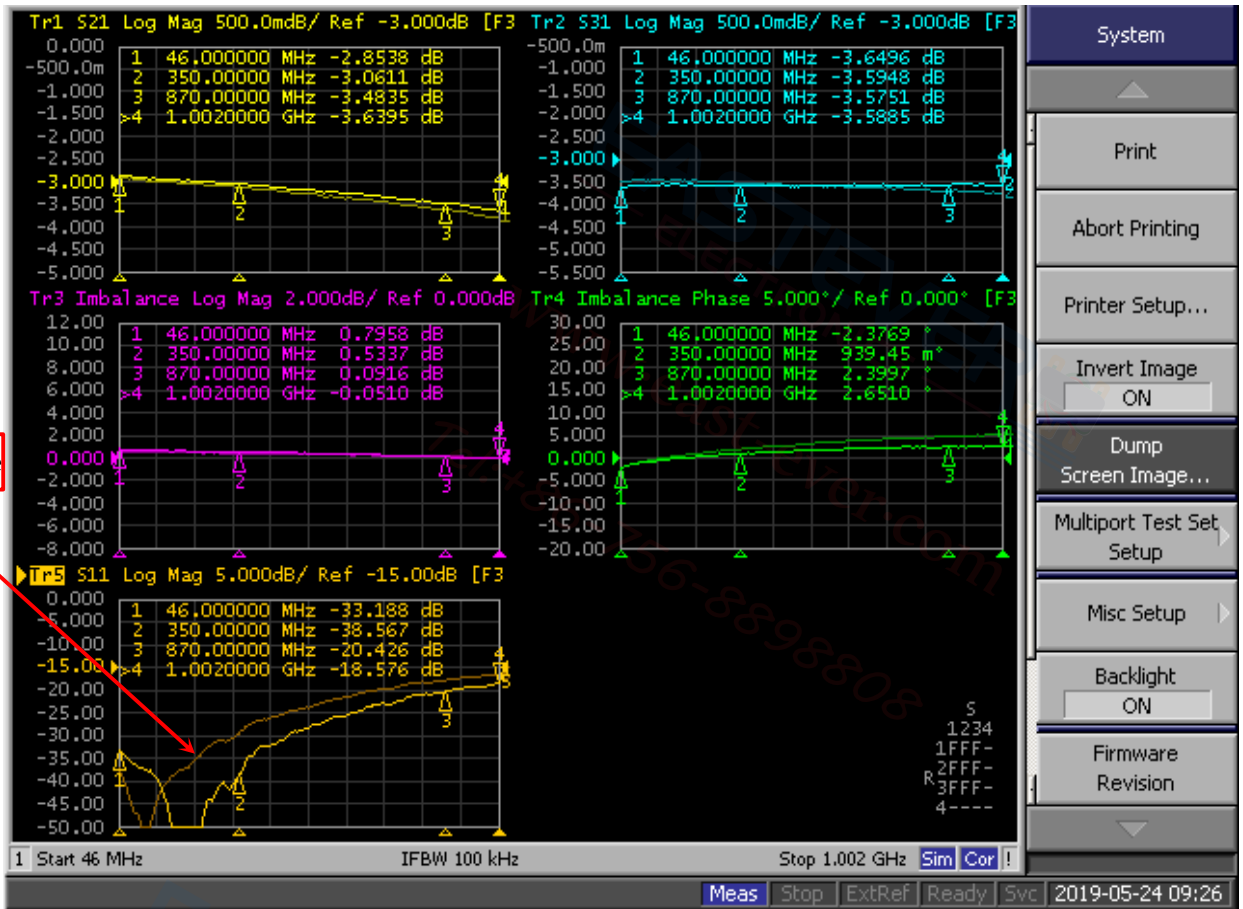
Phase Balance



Input Return Loss

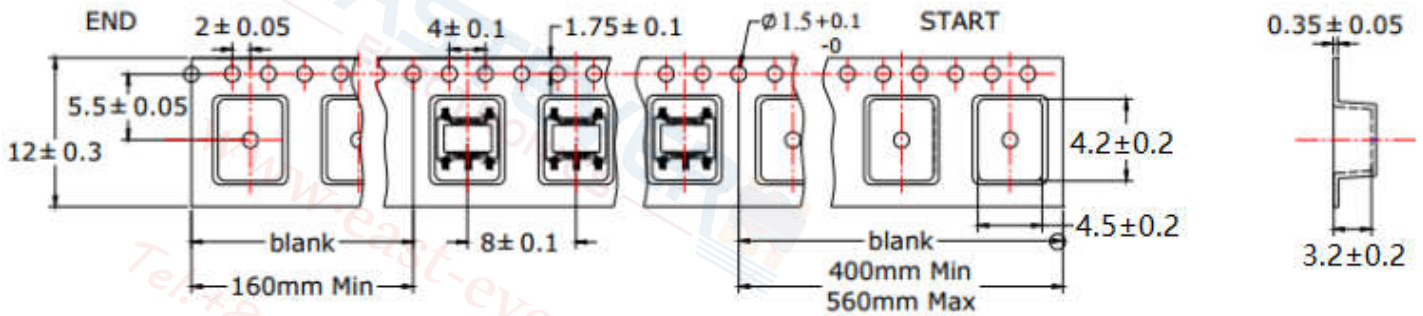


B004-617DB-0245-F186 Sample Test Data Sheet:

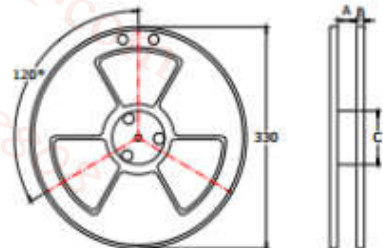


Macom Sample

Packaging Dimension For Caeier Tape(UNIT:mm):



QUANTITY
2000PCS/Reel
4Reels/Middle Carton Middle Carton:
4 Middle Cartons/Big Carton
32000PCS/ Big Carton



SPEC	8	12	16	24
DIM A±0.1	8.5	12.5	16.5	24.5
DIM B±0.1	2.3	2.3	2.3	2.3
DIM C±0.1	100	100	100	100

