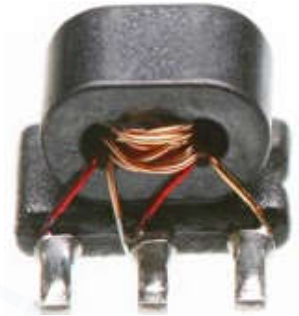


### Features::

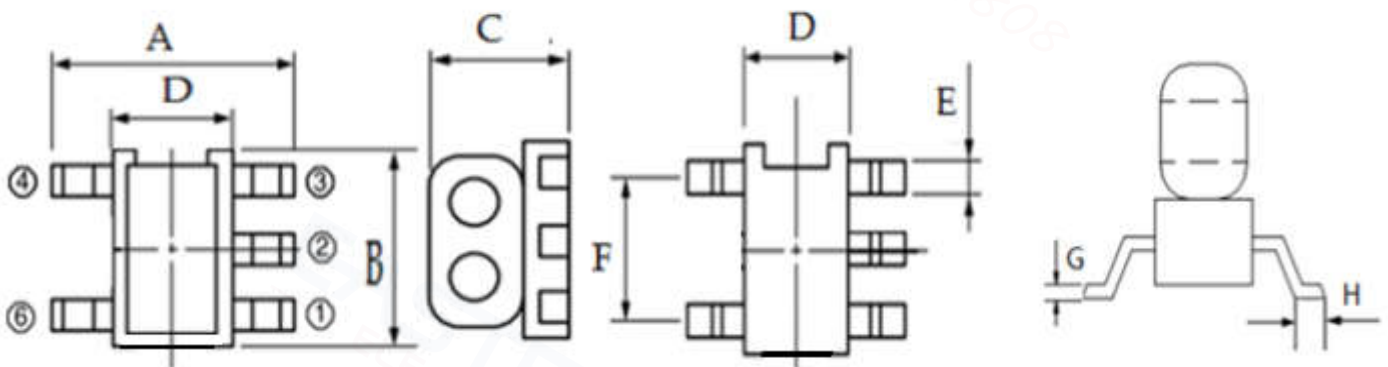
- ◆ 75 Ω Characteristic Impedance
- ◆ High Frequency, Low loss, Low cost
- ◆ RF power average: 23dBm Typ
- ◆ RF power peak: 37dBm Typ
- ◆ Insertion loss: 1.5dB Max; Return loss: 12.0dB Min
- ◆ Operating temperature range: -40°C to +125°C
- ◆ Storage temperature range: -55°C to +145°C



### Applications:

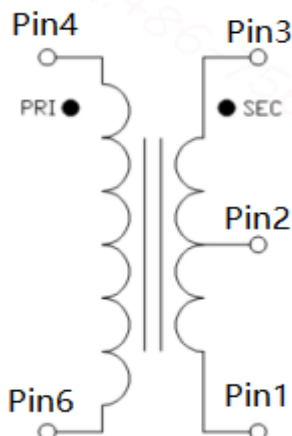
- ◆ For Docsis 3.1 Cable Modem
- ◆ For VHF/UHF receivers/transmitters and push-pull amplifiers

### Dimension Diagram (Unit:mm) :

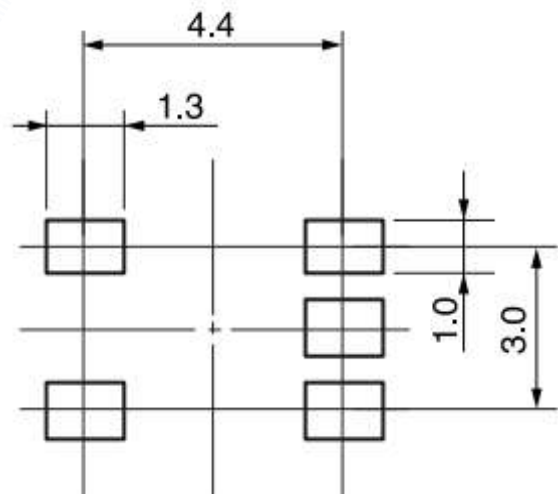


A=5.10±0.20 B=4.30±0.20 C=3.50Max D=2.60±0.20 E=0.50±0.05 F=3.00±0.10 G=0.25±0.05 H=0.60±0.10

### Electrical structure:



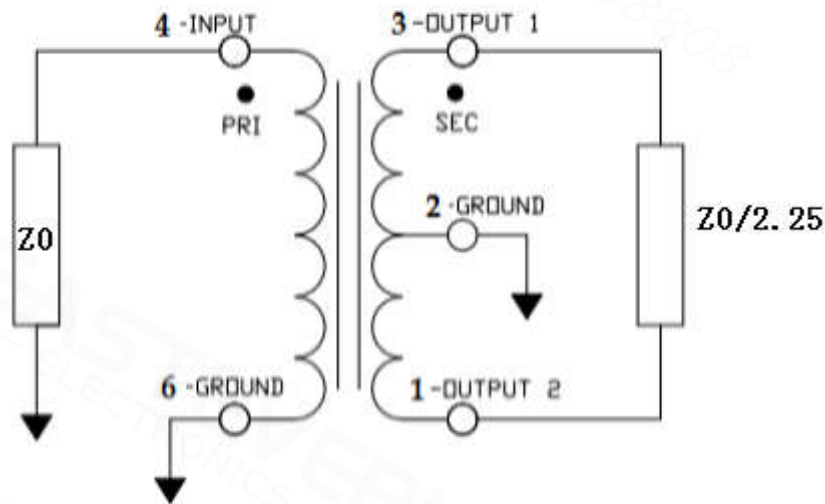
### Recommended layout:



**Pin configuration:**

Pin no.	Function
1	Secondary (Output 2)
2	Centre tap (Ground)
3	Secondary dot (Output 1)
4	Primary dot (Input)
6	Primary (Ground)

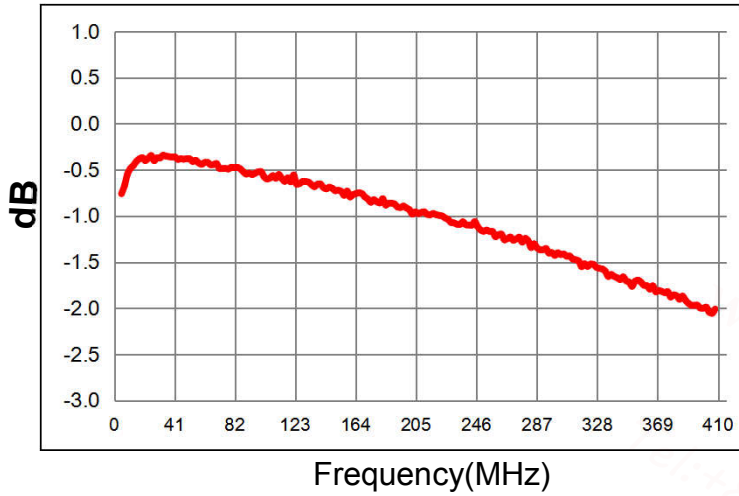
**Application circuit :**



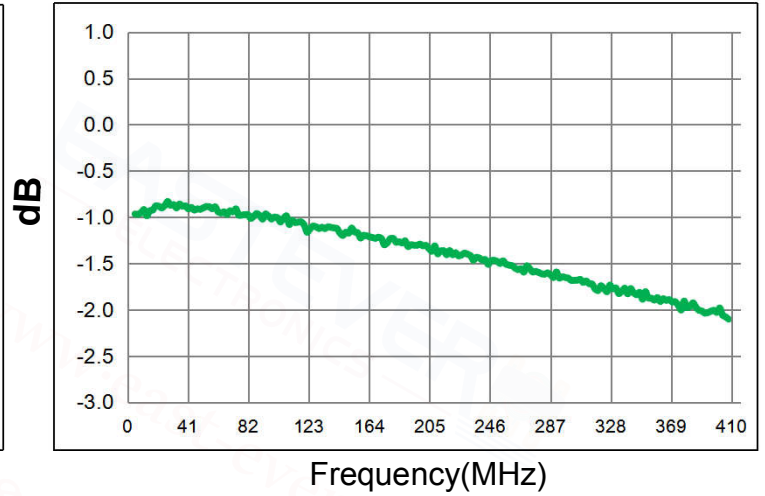
**Electrical Specifications: TA=25°C,0dBm,Z0=75Ω**

Parameter	Test Conditions	Units	Min	Typ	Max
Main line Loss(out1)	5-205MHz	dB	—	0.5	1.2
Main line Loss(out2)	5-205MHz	dB	—	1.0	1.5
Amplitude Balance	5-205MHz	dB	0.0	0.5	1.0
Phase Balance	5-205MHz	Degrees	0.0	2.0	10.0
Input Return Loss	5-205MHz	dB	12.0	25.0	—
CMRR	5-408MHz	dB	28.0	30.0	—

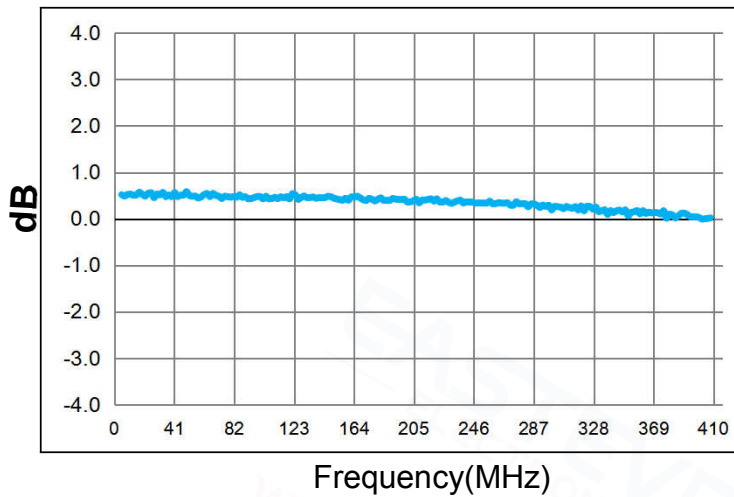
Main line Loss(out1)



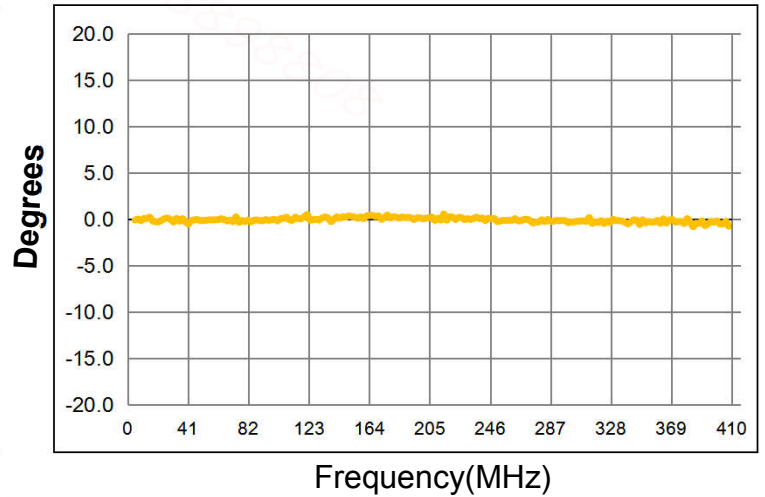
Main line Loss(out2)



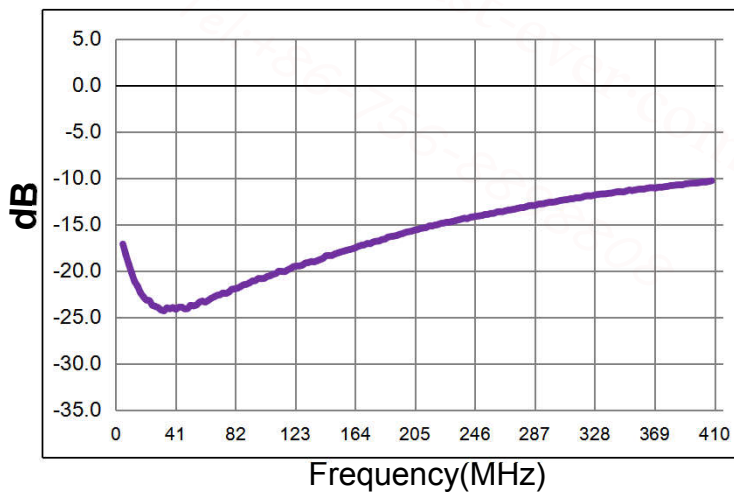
Amplitude Balance



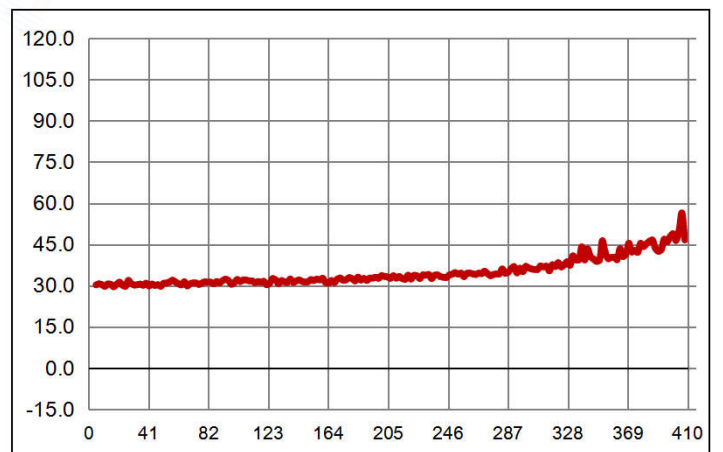
Phase Balance



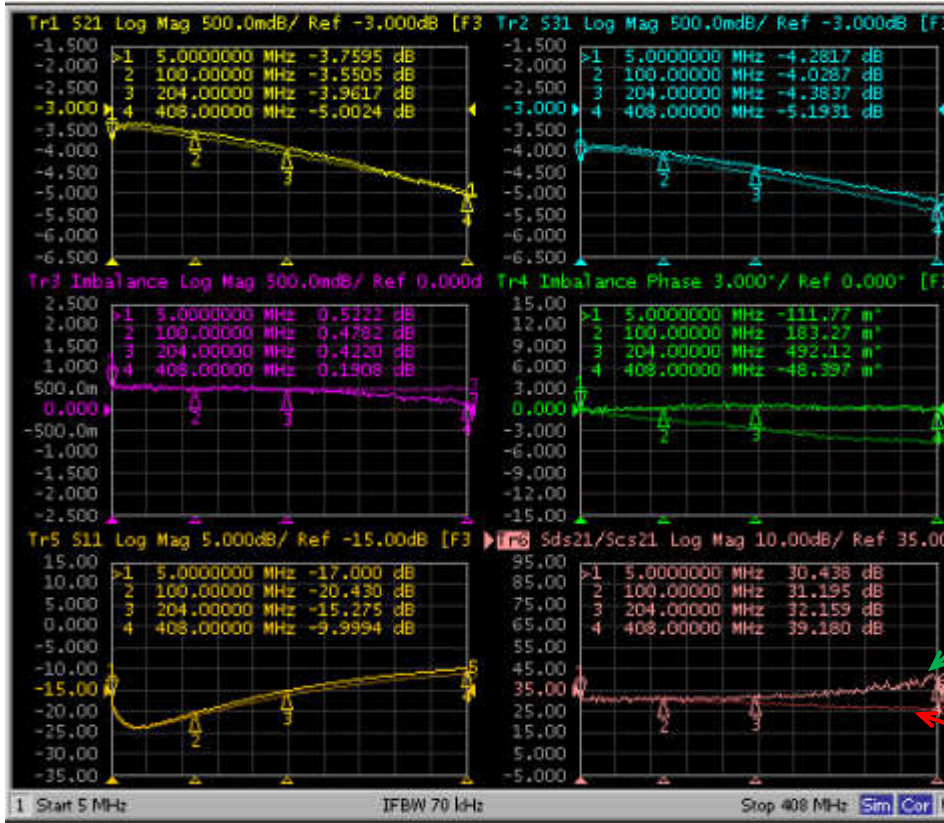
Input Return Loss



CMRR



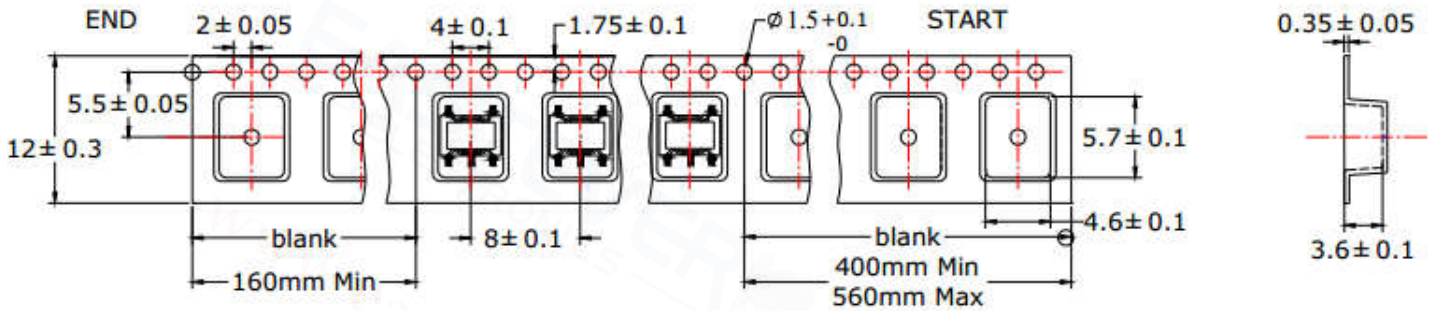
**Network Analyzer Test Data Sheet Photos:**



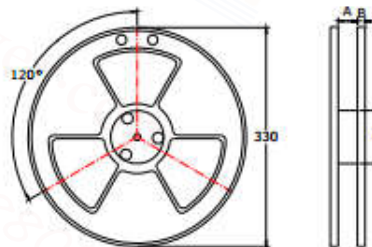
Eastever sample

Customer Sample

**Packaging Dimension For Caeier Tape(UNIT:mm):**



QUANTITY
2000PCS/Reel
4Reels/Middle Carton Middle Carton:
4 Middle Cartons/Big Carton
32000PCS/ Big Carton



SPEC	8	12	16	24
DIM A±0.1	8.5	12.5	16.5	24.5
DIM B±0.1	2.3	2.3	2.3	2.3
DIM C±0.1	100	100	100	100

