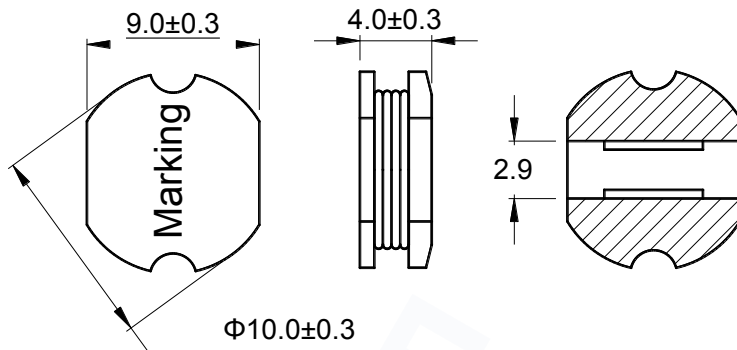


# SMD Power Inductor



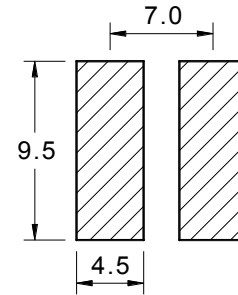
## 1 Appearance and dimensions (mm)

外形尺寸



## 2 Reference land pattern (mm)

参考基板尺寸



## 3 Electrical characteristics 电气特性

Part No. 型号	Inductance (μH) 电感值 ※1 ±10%	D.C.R. (mΩ) 直流电阻		Saturation current (A) 饱和电流 ※2		Temperature rise current (A) 温升电流 ※3
		Typical	Max	Typical	Max	Typical
ECD104-100K	10.0	28.2	33.8	5.20	4.16	4.24
ECD104-120K	12.0	36.4	43.7	4.80	3.84	3.69
ECD104-150K	15.0	44.7	53.6	4.20	3.36	3.33
ECD104-180K	18.0	52.2	62.6	3.70	2.96	3.04
ECD104-220K	22.0	61.3	73.5	3.40	2.72	2.84
ECD104-270K	27.0	74.9	89.9	3.08	2.46	2.57
ECD104-330K	33.0	91.5	110	2.70	2.16	2.33
ECD104-390K	39.0	100	120	2.58	2.06	2.22
ECD104-470K	47.0	123	147	2.42	1.94	2.01
ECD104-560K	56.0	142	170	2.15	1.72	1.87
ECD104-680K	68.0	174	209	1.98	1.58	1.69
ECD104-820K	82.0	227	272	1.72	1.38	1.48
ECD104-101K	100	263	316	1.60	1.28	1.37
ECD104-121K	120	326	391	1.48	1.18	1.30
ECD104-151K	150	443	532	1.27	1.02	1.06
ECD104-181K	180	499	599	1.17	0.94	1.00
ECD104-221K	220	580	696	1.10	0.88	0.92
ECD104-271K	270	693	832	1.00	0.80	0.85
ECD104-331K	330	848	1,017	0.88	0.70	0.76
ECD104-391K	390	1,049	1,259	0.79	0.63	0.69
ECD104-471K	470	1,230	1,476	0.72	0.58	0.63
ECD104-561K	560	1,416	1,699	0.67	0.54	0.59
ECD104-681K	680	1,710	2,052	0.62	0.50	0.54
ECD104-821K	820	2,046	2,455	0.56	0.45	0.50
ECD104-102K	1,000	2,525	3,030	0.51	0.41	0.45

All data is tested based on 25°C ambient temperature. 所有测试数据基于环境温度25°C条件下测试。

※1. Inductance measure condition at 100kHz, 0.1V. 电感测试条件为100kHz, 0.1V。

※2. Saturation current the actual value of DC current when the inductance decrease 20% of its initial value.  
饱和电流：电感值下降其初始值的20%时所加载的实际直流电流值。

※3. Temperature rise current the actual value of DC current when the temperature rise is ΔT40 (Ta=25).  
温升电流：使产品温度上升到ΔT40°C时所加载的实际直流电流值(Ta=25°C)



Balun Transformer | Coupler | Divider | Inductor | Choke | Bead Air Coil | LAN Transformer