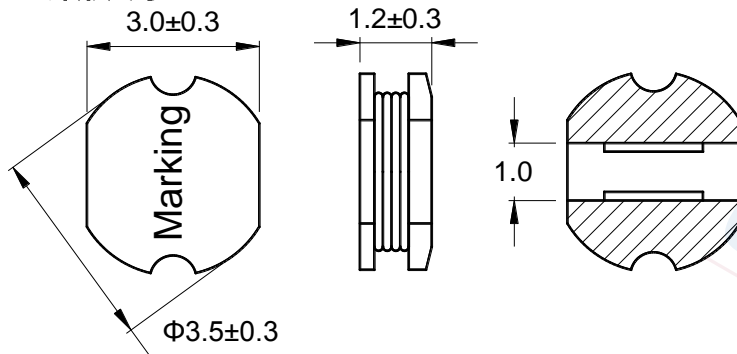


# SMD Power Inductor



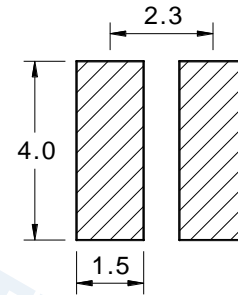
## 1 Appearance and dimensions (mm)

外形尺寸



## 2 Reference land pattern (mm)

参考基板尺寸



## 3 Electrical characteristics

电气特性

Part No. 型号	Inductance (μH) 电感值 ※1 ±20%	D.C.R. (mΩ) 直流电阻		Saturation current (A) 饱和电流 ※2		Temperature rise current (A) 温升电流 ※3
		Typical	Max	Typical	Max	Typical
ECD31-1R0M	1.00	53.0	63.6	3.10	2.48	2.33
ECD31-2R2M	2.20	102	122	2.20	1.76	1.68
ECD31-3R3M	3.30	138	166	1.90	1.52	1.44
ECD31-4R7M	4.70	209	251	1.60	1.28	1.17
ECD31-6R8M	6.80	270	324	1.30	1.04	1.03
ECD31-8R2M	8.20	315	378	1.20	0.96	0.95
ECD31-100M	10.0	480	576	1.05	0.84	0.77
ECD31-120M	12.0	495	594	0.95	0.76	0.76
ECD31-150M	15.0	575	690	0.85	0.68	0.71
ECD31-180M	18.0	790	948	0.75	0.60	0.60
ECD31-220M	22.0	910	1,092	0.70	0.56	0.56
ECD31-270M	27.0	1,080	1,296	0.65	0.52	0.52
ECD31-330M	33.0	1,260	1,512	0.60	0.48	0.48
ECD31-390M	39.0	1,380	1,656	0.55	0.44	0.46
ECD31-470M	47.0	1,820	2,184	0.50	0.40	0.40

All data is tested based on 25 °C ambient temperature. 所有测试数据基于环境温度25 °C条件下测试。

※1. Inductance measure condition at 100kHz, 0.1V. 电感测试条件为100kHz, 0.1V。

※2. Saturation current the actual value of DC current when the inductance decrease 20% of its initial value.  
饱和电流: 电感值下降其初始值的20%时所加载的实际直流电流值。

※3. Temperature rise current the actual value of DC current when the temperature rise is ΔT40 (Ta=25 ).  
温升电流: 使产品温度上升到ΔT40 °C时所加载的实际直流电流值(Ta=25 °C)