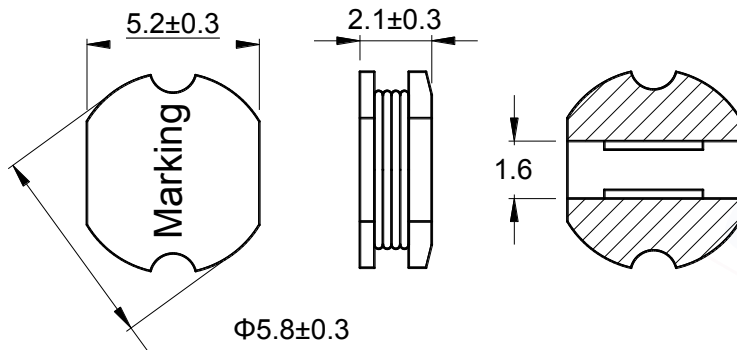


SMD Power Inductor



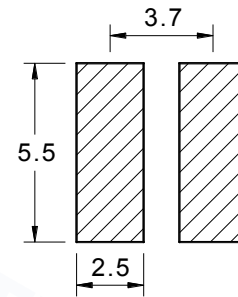
1 Appearance and dimensions (mm)

外形尺寸



2 Reference land pattern (mm)

参考基板尺寸



3 Electrical characteristics 电气特性

Part No. 型号	Inductance (μH) 电感值 ※1	D.C.R. (mΩ) 直流电阻		Saturation current (A) 饱和电流 ※2		Temperature rise current (A) 温升电流 ※3
		Typical	Max	Typical	Max	Typical
ECD52-1R2M	1.20 ±20%	21.4	25.7	5.50	4.40	3.99
ECD52-2R2M	2.20 ±20%	20.5	24.6	4.50	3.60	3.51
ECD52-3R3M	3.30 ±20%	36.0	43.2	3.90	3.12	3.23
ECD52-4R7M	4.70 ±20%	45.0	54.0	3.40	2.72	2.89
ECD52-6R8M	6.80 ±20%	68.0	81.6	2.75	2.20	2.35
ECD52-100K	10.0 ±10%	101	121	2.30	1.84	1.93
ECD52-120K	12.0 ±10%	125	150	2.00	1.60	1.73
ECD52-150K	15.0 ±10%	151	181	1.84	1.47	1.58
ECD52-180K	18.0 ±10%	182	218	1.62	1.30	1.44
ECD52-220K	22.0 ±10%	200	240	1.55	1.24	1.37
ECD52-270K	27.0 ±10%	258	310	1.40	1.12	1.21
ECD52-330K	33.0 ±10%	312	374	1.29	1.03	1.10
ECD52-390K	39.0 ±10%	372	446	1.08	0.86	1.01
ECD52-470K	47.0 ±10%	417	500	1.01	0.81	0.95
ECD52-560K	56.0 ±10%	525	630	0.96	0.77	0.85
ECD52-680K	68.0 ±10%	610	732	0.89	0.71	0.79
ECD52-820K	82.0 ±10%	810	972	0.78	0.62	0.68
ECD52-101K	100 ±10%	970	1,164	0.70	0.56	0.62
ECD52-121K	120 ±10%	1,105	1,326	0.68	0.54	0.58
ECD52-151K	150 ±10%	1,460	1,752	0.56	0.45	0.51
ECD52-181K	180 ±10%	1,650	1,980	0.54	0.43	0.48
ECD52-221K	220 ±10%	2,150	2,580	0.47	0.38	0.42
ECD52-271K	270 ±10%	2,370	2,844	0.44	0.35	0.40

All data is tested based on 25 °C ambient temperature. 所有测试数据基于环境温度25°C条件下测试。

※1. Inductance measure condition at 100kHz, 0.1V. 电感测试条件为100kHz, 0.1V。

※2. Saturation current the actual value of DC current when the inductance decrease 20% of its initial value.
饱和电流: 电感值下降其初始值的20%时所加载的实际直流电流值。

※3. Temperature rise current the actual value of DC current when the temperature rise is ΔT40 (Ta=25).
温升电流: 使产品温度上升到ΔT40 °C时所加载的实际直流电流值(Ta=25 °C)



Balun Transformer | Coupler | Divider | Inductor | Choke | Bead Air Coil | LAN Transformer