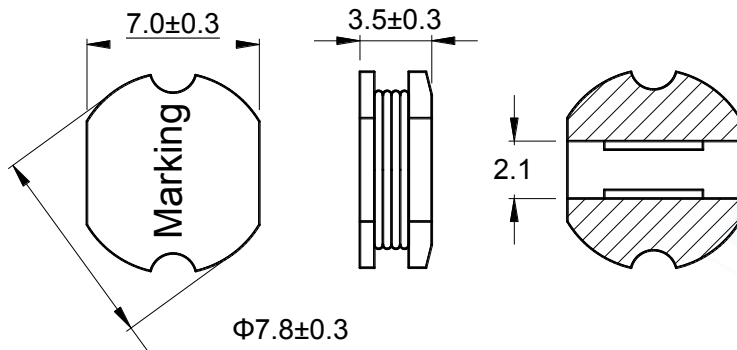


# SMD Power Inductor



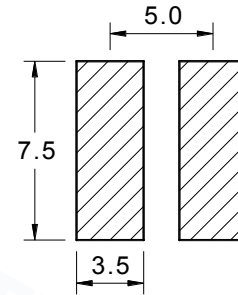
## 1 Appearance and dimensions (mm)

外形尺寸



## 2 Reference land pattern (mm)

参考基板尺寸



## 3 Electrical characteristics 电气特性

Part No. 型号	Inductance (μH) 电感值 ※1	D.C.R. (mΩ) 直流电阻		Saturation current (A) 饱和电流 ※2		Temperature rise current (A) 温升电流 ※3
		Typical	Max	Typical	Max	Typical
ECD73-1R0M	1.00 ±20%	7.35	8.82	9.20	7.36	7.57
ECD73-2R2M	2.20 ±20%	11.1	13.3	6.70	5.36	6.16
ECD73-3R3M	3.30 ±20%	15.7	18.8	5.40	4.32	5.18
ECD73-4R7M	4.70 ±20%	20.3	24.4	4.55	3.64	4.56
ECD73-6R8M	6.80 ±20%	29.0	34.8	3.80	3.04	3.81
ECD73-8R2M	8.20 ±20%	34.5	41.4	3.35	2.68	3.49
ECD73-100K	10.0 ±10%	44.4	53.3	3.10	2.48	3.08
ECD73-120K	12.0 ±10%	54.0	64.8	2.79	2.23	2.79
ECD73-150K	15.0 ±10%	64.0	76.8	2.60	2.08	2.57
ECD73-180K	18.0 ±10%	72.4	86.9	2.35	1.88	2.41
ECD73-220K	22.0 ±10%	87.8	105	2.15	1.72	2.19
ECD73-270K	27.0 ±10%	105	126	2.00	1.60	2.00
ECD73-330K	33.0 ±10%	131	157	1.72	1.38	1.79
ECD73-390K	39.0 ±10%	156	187	1.65	1.32	1.64
ECD73-470K	47.0 ±10%	185	222	1.48	1.18	1.51
ECD73-560K	56.0 ±10%	224	269	1.32	1.06	1.37
ECD73-680K	68.0 ±10%	256	307	1.18	0.94	1.28
ECD73-820K	82.0 ±10%	303	364	1.11	0.89	1.18
ECD73-101K	100 ±10%	370	444	1.02	0.82	1.07
ECD73-121K	120 ±10%	444	533	0.91	0.73	0.97
ECD73-151K	150 ±10%	600	720	0.82	0.66	0.84
ECD73-181K	180 ±10%	669	803	0.75	0.60	0.79
ECD73-221K	220 ±10%	793	952	0.67	0.54	0.73
ECD73-271K	270 ±10%	940	1,128	0.62	0.50	0.67
ECD73-331K	330 ±10%	1,140	1,368	0.56	0.45	0.61
ECD73-391K	390 ±10%	1,380	1,656	0.50	0.40	0.55
ECD73-471K	470 ±10%	1,700	2,040	0.46	0.37	0.50
ECD73-561K	560 ±10%	2,000	2,400	0.42	0.34	0.46
ECD73-681K	680 ±10%	2,630	3,156	0.37	0.30	0.40
ECD73-821K	820 ±10%	3,080	3,696	0.35	0.28	0.37
ECD73-102K	1,000 ±10%	3,900	4,680	0.32	0.26	0.33

All data is tested based on 25°C ambient temperature. 所有测试数据基于环境温度25°C条件下测试。

※1. Inductance measure condition at 100kHz, 0.1V. 电感测试条件为100kHz, 0.1V。

※2. Saturation current the actual value of DC current when the inductance decrease 20% of its initial value.  
饱和电流: 电感值下降其初始值的20%时所加载的实际直流电流值。

※3. Temperature rise current the actual value of DC current when the temperature rise is ΔT40 (Ta=25°C).  
温升电流: 使产品温度上升到ΔT40°C时所加载的实际直流电流值(Ta=25°C)



Balun Transformer | Coupler | Divider | Inductor | Choke | Bead Air Coil | LAN Transformer