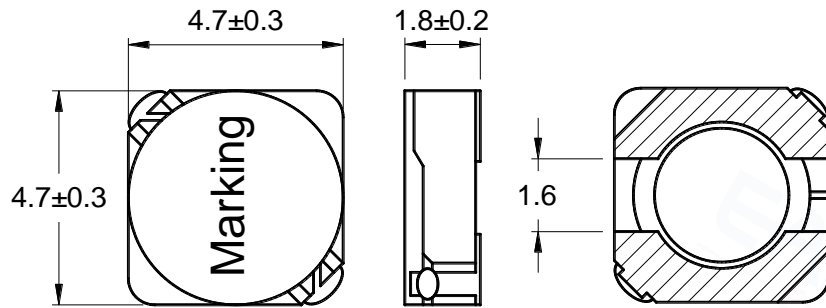


# SMD Power Inductor



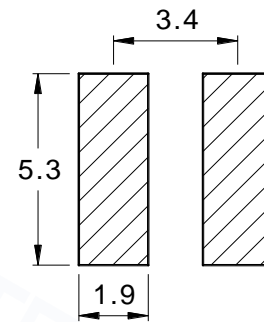
## 1 Appearance and dimensions (mm)

外形尺寸



## 2 Reference land pattern (mm)

参考基板尺寸



## 3 Electrical characteristics

电气特性

Part No. 型号	Inductance (μH) 电感值 ※1	D.C.R. (mΩ) 直流电阻		Saturation current (A) 饱和电流 ※2		Temperature rise current (A) 温升电流 ※3
		Typical	Max	Typical	Max	Typical
ED4D18-1R2N	1.20 ±30%	24.7	29.6	3.00	2.40	2.83
ED4D18-2R2N	2.20 ±30%	36.2	43.4	2.30	1.84	2.33
ED4D18-3R0N	3.00 ±30%	47.0	56.4	2.00	1.60	2.05
ED4D18-4R7N	4.70 ±30%	63.0	75.6	1.60	1.28	1.77
ED4D18-6R8N	6.80 ±30%	100	120	1.30	1.04	1.40
ED4D18-8R2N	8.20 ±30%	112	134	1.20	0.96	1.33
ED4D18-100M	10.0 ±20%	130	156	1.15	0.92	1.23
ED4D18-150M	15.0 ±20%	174	209	0.90	0.72	1.06
ED4D18-220M	22.0 ±20%	279	335	0.75	0.60	0.84
ED4D18-330M	33.0 ±20%	395	474	0.60	0.48	0.71
ED4D18-470M	47.0 ±20%	600	720	0.50	0.40	0.57
ED4D18-680M	68.0 ±20%	850	1,020	0.42	0.34	0.48
ED4D18-820M	82.0 ±20%	960	1,152	0.38	0.30	0.45
ED4D18-101M	100 ±20%	1,320	1,584	0.34	0.27	0.39
ED4D18-151M	150 ±20%	1,640	1,968	0.29	0.23	0.35
ED4D18-221M	220 ±20%	2,640	3,168	0.24	0.19	0.27

All data is tested based on 25°C ambient temperature. 所有测试数据基于环境温度25°C条件下测试。

※1. Inductance measure condition at 100kHz, 0.1V. 电感测试条件为100kHz, 0.1V。

※2. Saturation current the actual value of DC current when the inductance decrease 20% of its initial value.  
饱和电流：电感值下降其初始值的20%时所加载的实际直流电流值。

※3. Temperature rise current the actual value of DC current when the temperature rise is ΔT40 (Ta=25).  
温升电流：使产品温度上升到ΔT40°C时所加载的实际直流电流值(Ta=25°C)