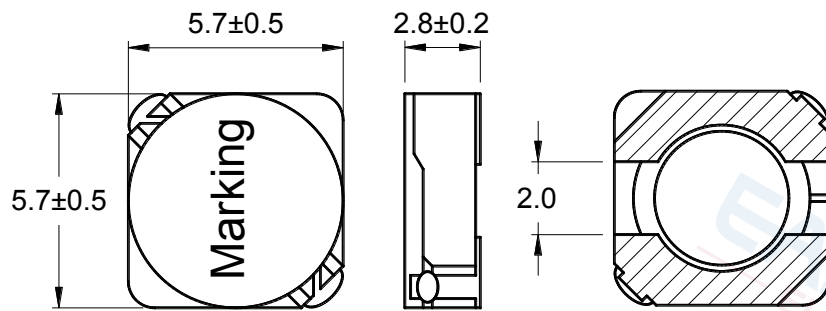


# SMD Power Inductor



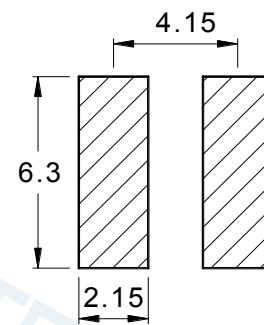
## 1 Appearance and dimensions (mm)

外形尺寸



## 2 Reference land pattern (mm)

参考基板尺寸



## 3 Electrical characteristics

电气特性

Part No. 型号	Inductance (μH) 电感值 ※1	D.C.R. (mΩ) 直流电阻		Saturation current (A) 饱和电流 ※2		Temperature rise current (A) 温升电流 ※3
		Typical	Max	Typical	Max	Typical
ED5D28-1R2N	1.20 ±30%	15.3	18.4	3.60	2.88	3.84
ED5D28-1R8N	1.80 ±30%	16.4	19.7	3.10	2.48	3.71
ED5D28-3R3N	3.30 ±30%	23.0	27.6	2.30	1.84	3.13
ED5D28-4R7N	4.70 ±30%	32.0	38.4	1.85	1.48	2.66
ED5D28-6R8N	6.80 ±30%	45.0	54.0	1.55	1.24	2.24
ED5D28-8R2N	8.20 ±30%	48.6	58.3	1.40	1.12	2.16
ED5D28-100M	10.0 ±20%	67.5	81.0	1.25	1.00	1.83
ED5D28-150M	15.0 ±20%	89.0	107	1.05	0.84	1.59
ED5D28-220M	22.0 ±20%	120	144	0.85	0.68	1.37
ED5D28-330M	33.0 ±20%	203	244	0.65	0.52	1.05
ED5D28-470M	47.0 ±20%	240	288	0.58	0.46	0.97
ED5D28-680M	68.0 ±20%	348	418	0.48	0.38	0.81
ED5D28-820M	82.0 ±20%	395	474	0.44	0.35	0.76
ED5D28-101M	100 ±20%	495	594	0.39	0.31	0.68
ED5D28-151M	150 ±20%	800	960	0.32	0.26	0.53
ED5D28-221M	220 ±20%	1,170	1,404	0.27	0.22	0.44
ED5D28-331M	330 ±20%	1,700	2,040	0.22	0.18	0.36
ED5D28-471M	470 ±20%	2,400	2,880	0.18	0.14	0.31

All data is tested based on 25°C ambient temperature. 所有测试数据基于环境温度25°C条件下测试。

※1. Inductance measure condition at 100kHz, 0.1V. 电感测试条件为100kHz, 0.1V。

※2. Saturation current the actual value of DC current when the inductance decrease 20% of its initial value.  
饱和电流: 电感值下降其初始值的20%时所加载的实际直流电流值。

※3. Temperature rise current the actual value of DC current when the temperature rise is ΔT40 (Ta=25).  
温升电流: 使产品温度上升到ΔT40°C时所加载的实际直流电流值(Ta=25°C)