

Power Splitter/Combiner

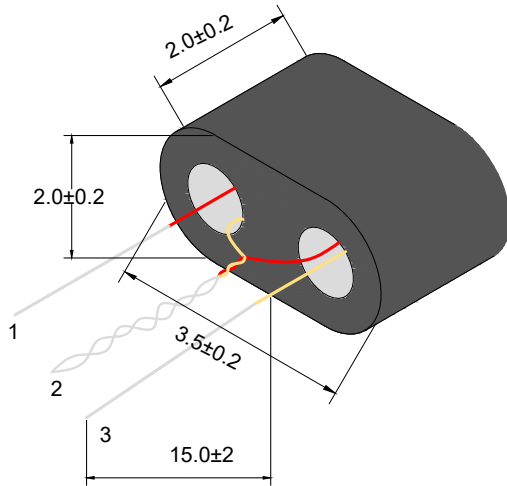
EDD0303-G021

2020-05-08 Rev. 0



75Ω 2 Way-0° Power Divider 1-1500 MHz

Outline Drawing(mm)



Features

- Small size
- Low profile
- Low insertion loss
- 3 pins DIP and THT
- Operating temperature range: -40°C to +85°C
- Storage temperature range: -55°C to +100°C

Applications

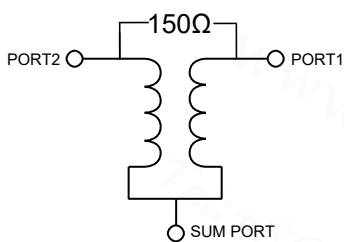
- For CATV broadband applications
- For VHF/UHF receivers/transmitters and push - pull amplifiers

Electrical Specifications: TA=25°C, 0dBm, Z0=75Ω

Parameter	Test Conditions	Units	Min	Typ	Max
Main line Loss (Pin2-1)	1-1500MHz	dB	—	1.2	1.8
Main line Loss (Pin2-3)	1-1500MHz	dB	—	0.5	1.0
Input Return Loss	1-1500MHz	dB	8.0	10.0	—
Output Return Loss 1	1-1500MHz	dB	10.0	12.0	—
Output Return Loss 2	1-1500MHz	dB	10.0	15.0	—
Isolation	1-1500MHz	dB	8.0	12.0	—

Electrical structure

Fig D



Pin Connections

SUM PORT	2
PORT 1	1
PORT 2	3

