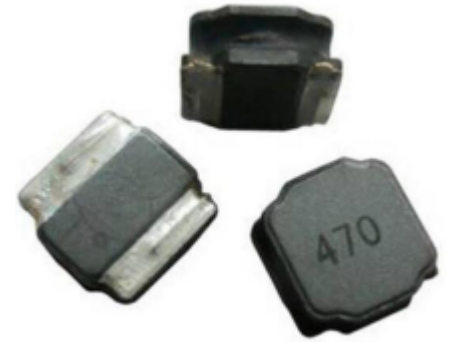


SMD Power Inductor



Features

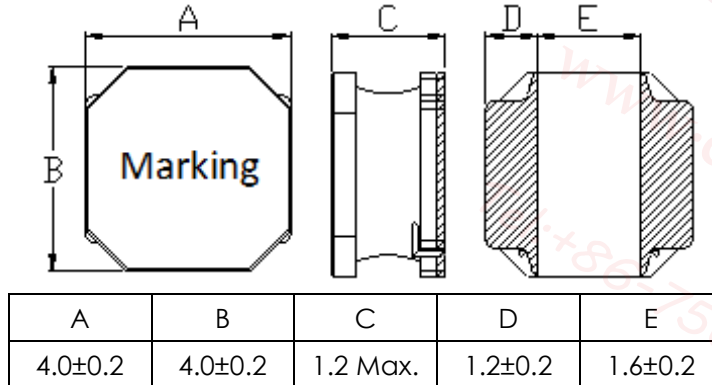
- ▶ Small and Low profile inductor
- ▶ It corresponds to High current.
- ▶ Simple and Shield structure.
- ▶ Takes up less PCB real estate and save more power
- ▶ Available tape and reel for auto insertion.
- ▶ RoHs compliant
- ▶ Halogen-Free



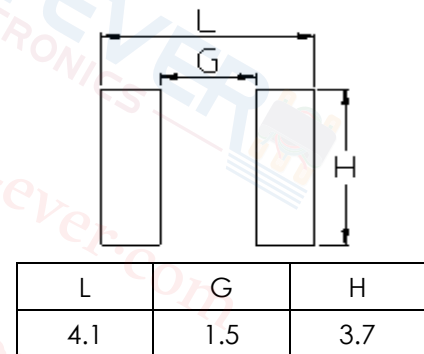
Applications

- ▶ For small DC/DC converter (cellular Phone, LCD/LED/OLED display etc).

Dimension (Unit:mm)



Land Pattern (Unit:mm)



Specifications

Part Number	Inductance (μH)	Tolerance (±)	DCR (mΩ) ±30%	Isat (A) Max.	Itemp (A) Max.	SRF (Min) (MHz)
EPNR4012-R82N	0.82	30%	50	3.02	1.65	150
EPNR4012-1R0N	1.0	30%	50	2.61	1.65	120
EPNR4012-1R5N	1.5	30%	65	2.10	1.46	90
EPNR4012-1R8N	1.8	30%	80	2.12	1.32	88
EPNR4012-2R2N	2.2	30%	80	1.76	1.32	74
EPNR4012-3R3N	3.3	30%	110	1.72	1.12	60
EPNR4012-4R7N	4.7	30%	125	1.15	1.05	50
EPNR4012-6R8M	6.8	20%	198	0.85	0.84	40
EPNR4012-100M	10	20%	265	0.80	0.77	33
EPNR4012-120M	12	20%	290	0.66	0.70	32
EPNR4012-150M	15	20%	340	0.56	0.64	25
EPNR4012-220M	22	20%	587	0.46	0.49	20
EPNR4012-330M	33	20%	810	0.42	0.42	17
EPNR4012-470M	47	20%	1100	0.35	0.37	12
EPNR4012-680M	68	20%	1950	0.28	0.27	11
EPNR4012-820M	82	20%	2140	0.28	0.26	11
EPNR4012-101M	100	20%	2210	0.25	0.25	9.4

- Inductance Tested at 100kHz, 1Vrms (20°C)
- Isat: When based on the inductance change rate (approximately 30% below in the initial value)
- Itemp: When based on the temperature increase (Temperature increase of approximately 40°C by self heating)
- Operating Temperature Range(including self temperature) : -25°C ~ +125°C