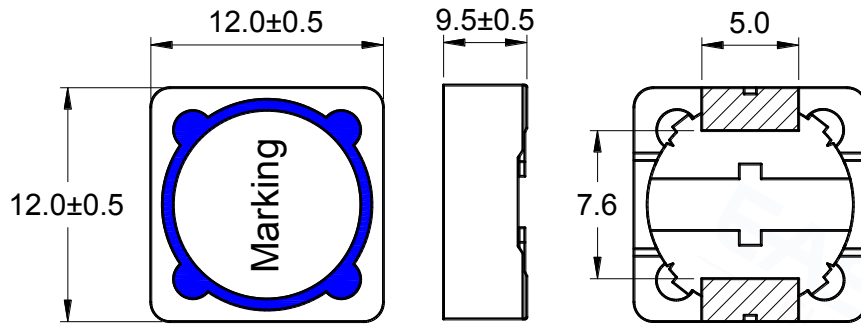


SMD Power Inductor



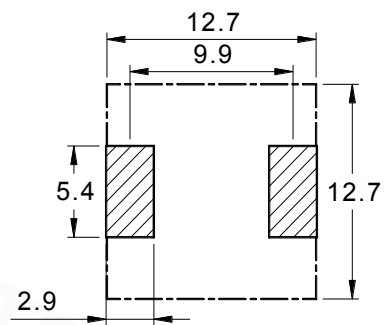
1 Appearance and dimensions (mm)

外形尺寸



2 Reference land pattern (mm)

参考基板尺寸



3 Electrical characteristics

电气特性

Part No. 型号	Inductance (μH) 电感值 ×1	D.C.R. (mΩ) 直流电阻		Saturation current (A) 饱和电流 ×2		Temperature rise current (A) 温升电流 ×3
		Typical	Max	Typical	Max	Typical
ERH129-1R0N	1.00 ±30%	7.00	8.40	32.0	25.6	10.1
ERH129-2R2N	2.20 ±30%	10.0	12.0	22.0	17.6	8.59
ERH129-3R3N	3.30 ±30%	11.7	14.0	19.0	15.2	8.00
ERH129-4R7N	4.70 ±30%	13.4	16.1	16.0	12.8	7.55
ERH129-6R8N	6.80 ±30%	16.8	20.2	14.0	11.2	6.86
ERH129-8R2N	8.20 ±30%	18.5	22.2	12.0	9.60	6.68
ERH129-100M	10.0 ±20%	20.0	24.0	11.0	8.80	6.51
ERH129-120M	12.0 ±20%	22.0	26.4	10.0	8.00	6.20
ERH129-150M	15.0 ±20%	25.5	30.6	9.00	7.20	5.76
ERH129-180M	18.0 ±20%	27.3	32.8	8.00	6.40	5.57
ERH129-220M	22.0 ±20%	30.5	36.6	7.50	6.00	5.27
ERH129-270M	27.0 ±20%	32.9	39.5	7.00	5.60	5.07
ERH129-330M	33.0 ±20%	39.0	46.8	6.30	5.04	4.66
ERH129-390M	39.0 ±20%	51.4	61.7	6.00	4.80	4.06
ERH129-470M	47.0 ±20%	59.0	70.8	5.20	4.16	3.79
ERH129-560M	56.0 ±20%	63.8	76.6	4.90	3.92	3.64
ERH129-680M	68.0 ±20%	83.0	99.6	4.50	3.60	3.19
ERH129-820M	82.0 ±20%	94.0	113	4.10	3.28	3.00
ERH129-101M	100 ±20%	125	150	3.50	2.80	2.60
ERH129-121M	120 ±20%	140	168	3.30	2.64	2.46
ERH129-151M	150 ±20%	180	216	2.90	2.32	2.17
ERH129-181M	180 ±20%	200	240	2.70	2.16	2.06
ERH129-221M	220 ±20%	246	295	2.30	1.84	1.86
ERH129-271M	270 ±20%	324	389	2.20	1.76	1.62
ERH129-331M	330 ±20%	362	434	2.05	1.64	1.53
ERH129-391M	390 ±20%	396	475	1.85	1.48	1.46
ERH129-471M	470 ±20%	501	601	1.70	1.36	1.30
ERH129-561M	560 ±20%	546	655	1.55	1.24	1.25
ERH129-681M	680 ±20%	685	822	1.40	1.12	1.11
ERH129-821M	820 ±20%	836	1,003	1.25	1.00	0.98
ERH129-102M	1,000 ±20%	955	1,146	1.15	0.92	0.94

All data is tested based on 25°C ambient temperature. 所有测试数据基于环境温度25°C条件下测试。

※1. Inductance measure condition at 100kHz, 0.1V. 电感测试条件为100kHz, 0.1V。

※2. Saturation current the actual value of DC current when the inductance decrease 20% of its initial value.
饱和电流：电感值下降其初始值的20%时所加载的实际直流电流值。

※3. Temperature rise current the actual value of DC current when the temperature rise is ΔT40 (Ta=25).
温升电流：使产品温度上升到ΔT40°C时所加载的实际直流电流值(Ta=25°C)



Balun Transformer | Coupler | Divider | Inductor | Choke | Bead Air Coil | LAN Transformer