

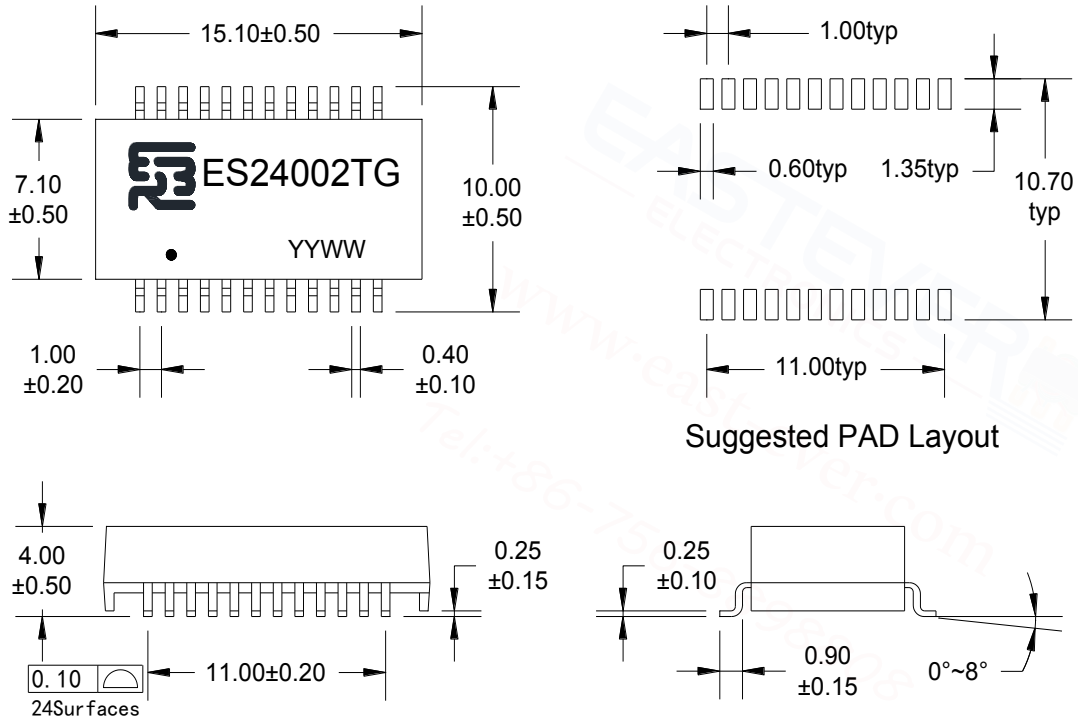
LAN Transformer



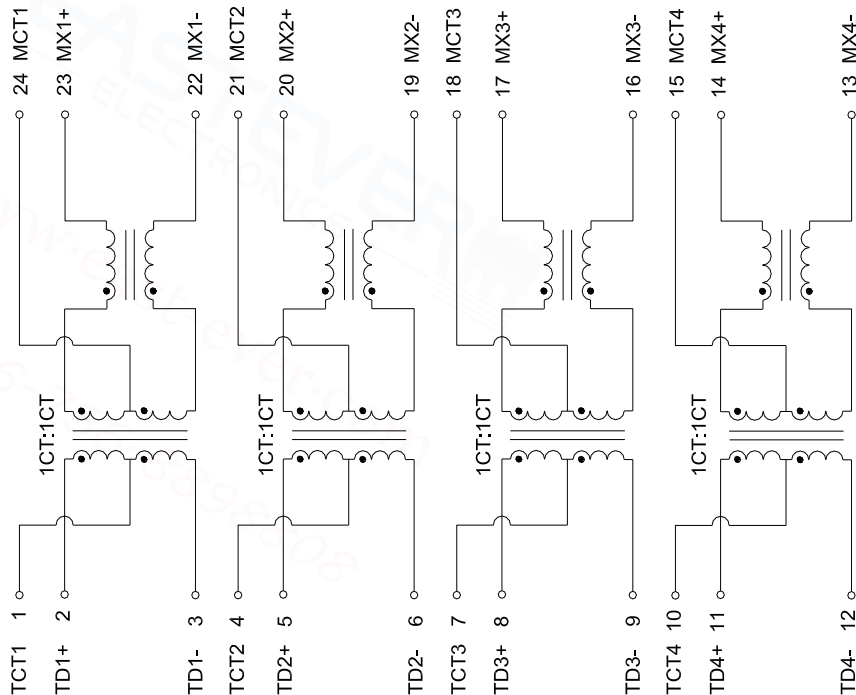
100/1000 BASE-T ES24002TG Equivalent to LP82440ANL

REV: 0

A. MECHANICAL(unit:mm)

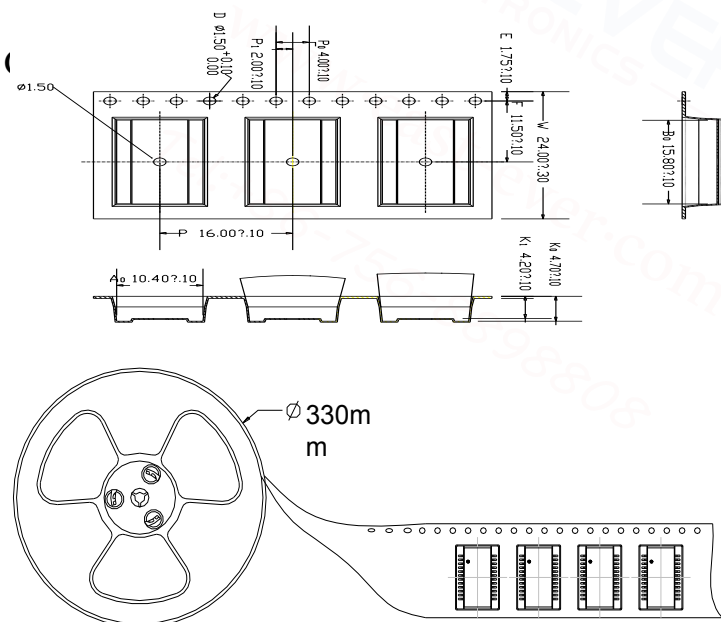


B. SCHEMATICS



C. ELECTRICAL SPECIFICATIONS @25°C

1. OCL: 350uH Min @ 100 KHz, 0.1V with 8mA DC BIAS
2. Leakage Inductance: 0.5uH Max @ 100KHz, 0.1V
3. DCR: 1400mΩ Max
4. Turns Ratio: 1CT:1CT±5%
5. Insertion Loss: -1.1 dB Max @ 1-100 MHz
6. Return Loss: -18 dB Min @ 1-30 MHz
 - 14.4 dB Min @ 40 MHz
 - 13.1 dB Min @ 50 MHz
 - 12 dB Min @ 60-80 MHz
 - 10 dB Min @ 100 MHz
7. Cross Talk: -30 dB Min @ 1-100 MHz
8. Common Mode Rejection: -30 dB Min @ 1-100 MHz
9. Isolation Hipot: 1500VAC 1mA 60S
10. Operating temperature -45°C to +85°C
11. Storage temperature -45°C to +85°C



Package Quantity:

One Reel=800Pcs

One Inner Carton=800*3=2400Pcs

One Export Carton=2400*2=4800Pcs