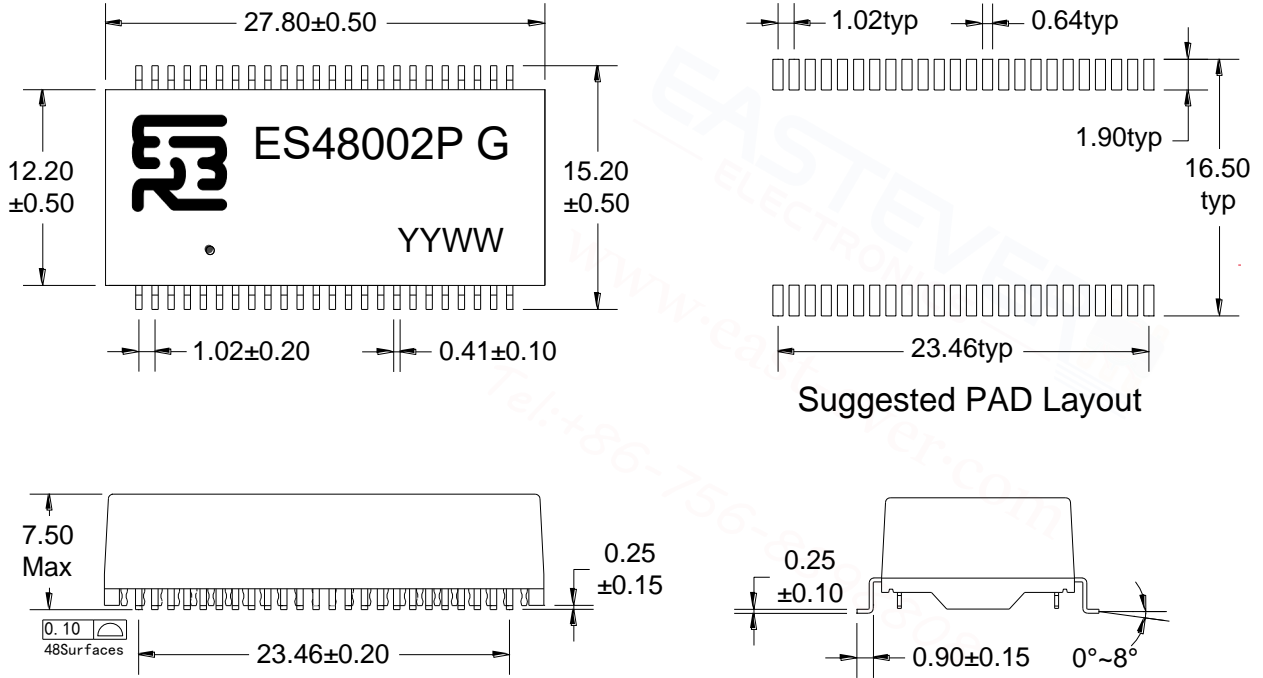


# LAN Transformer

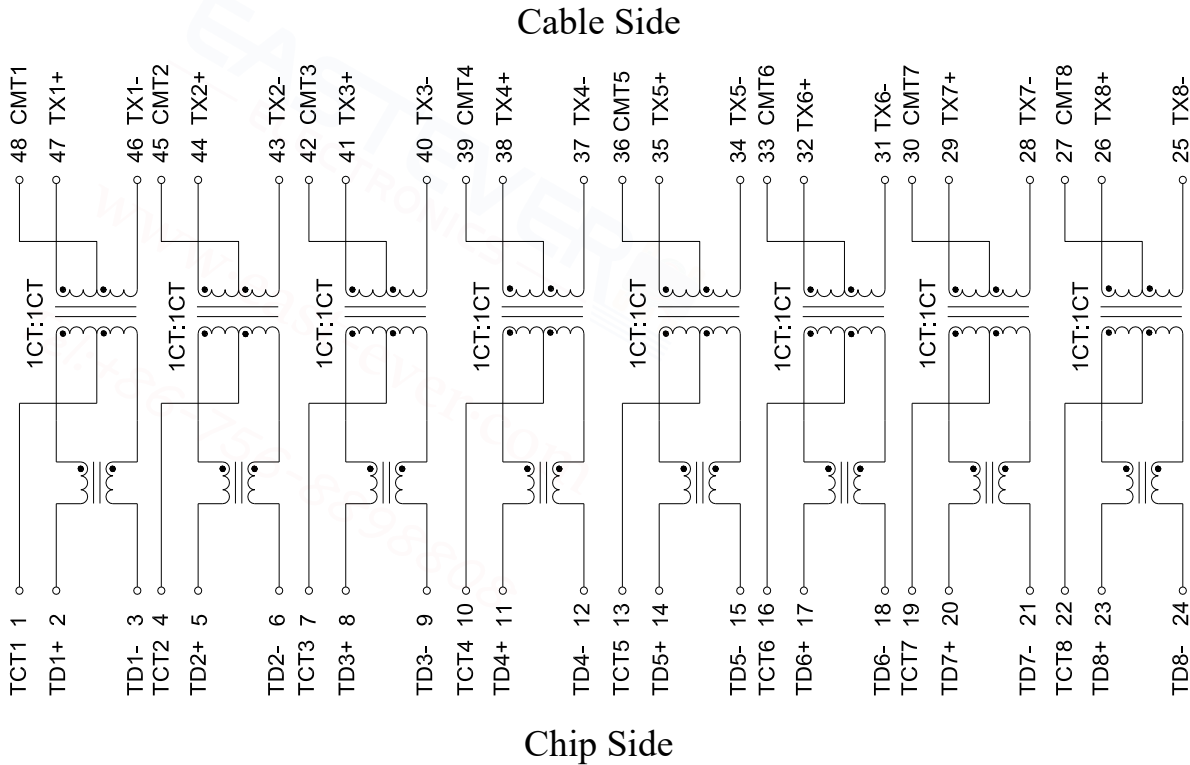
100/1000 BASE-T ES48002P G Equivalent to HX5014NL-12

REV: 0

## A. MECHANICAL(unit:mm)



## B. SCHEMATICS



# LAN Transformer

100/1000 BASE-T ES48002P G Equivalent to HX5014NL-12

REV: 0

## C. ELECTRICAL SPECIFICATIONS @25°C

1.  $O$  : 350uH Min @ 100 KHz, 0.1V 15mA DC BIAS
2. Leakage Inductance: 0.5uH Max @ 100KHz, 0.1V
3.  $D$  : 1400m $\Omega$  Max
4. Turns Ratio: 1CT:1CT $\pm$ 5%
5. Insertion Loss: -1.2 dB Max @ 0.5-1 MHz  
-0.2-0.002\*f<sup>1.4</sup> dB Max @ 1-125 MHz
6. Return Loss: -16 dB Min @ 1-40 MHz  
-10+20\*log ( f/80 ) dB Min @ 40.1-100 MHz
7. Crosstalk: -30 dB Min @ 1-100 MHz
8. Common Mode Rejection: -30 dB Min @ 1-100 MHz
9. Isolation Hipot: 1500VAC 1mA 60S
10. Operating temperature -40°C to +85°C
11. Storage temperature -40°C to +85°C
12. IEEE802.3at compliant performance---720mA Current Capability

Package Quantity:

One Reel=350Pcs

One Inner Carton=350\*2=700Pcs

One Export Carton=700\*2=1400Pcs

