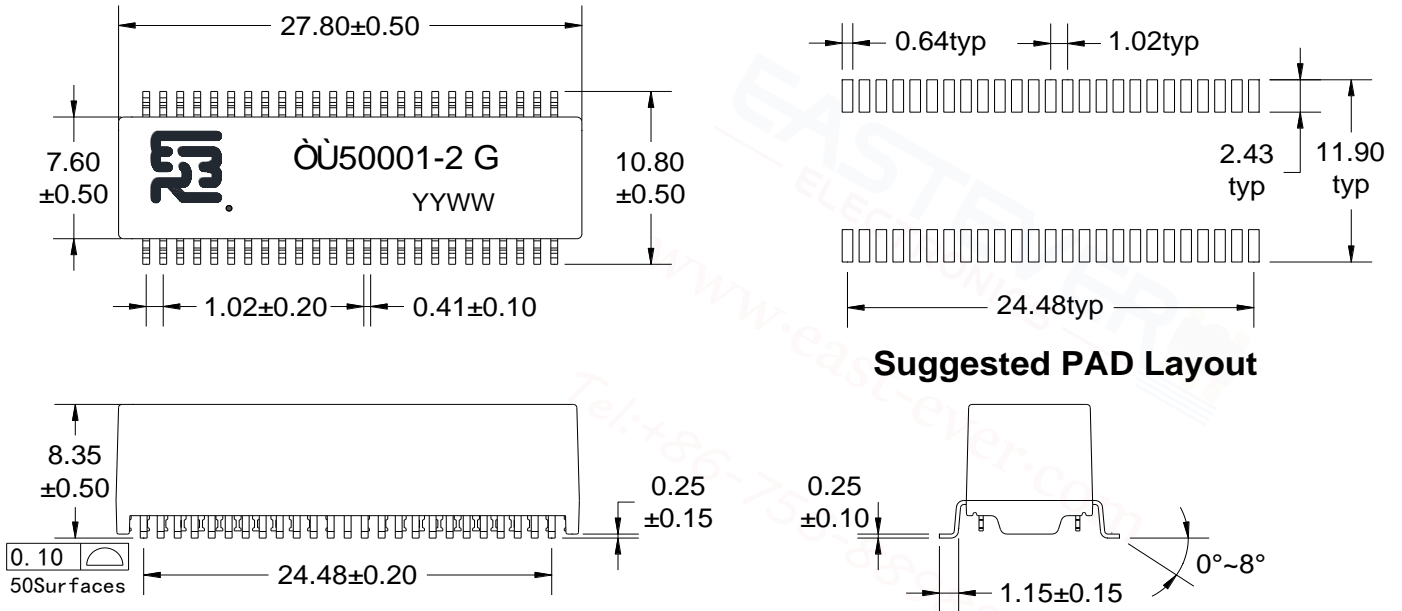


# LAN Transformer

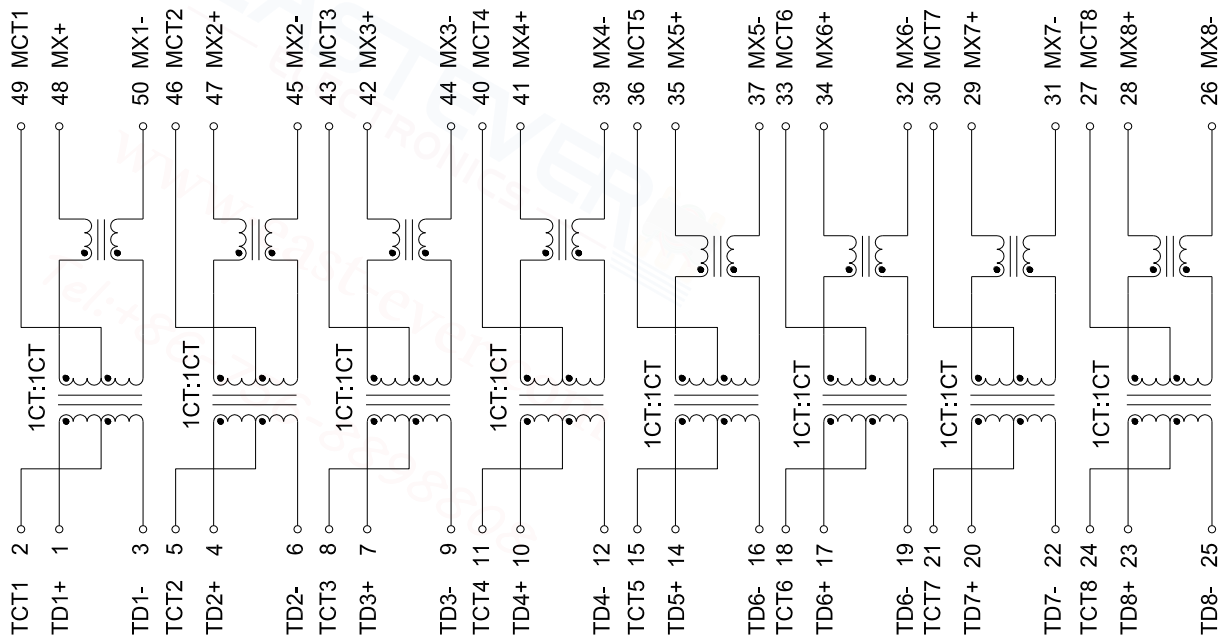
100/1000 BASE-T ES50001-2G

REV: 0

## A. MECHANICAL(unit:mm)



## B. SCHEMATICS



# LAN Transformer

100/1000 BASE-T ES50001-2G

REV: 0

## C. ELECTRICAL SPECIFICATIONS @25°C

1. OCL: 350uH Min @ 100KHz, 0.1V 8mA DC BIAS
2. Leakage Inductance: 0.5uH Max @ 100KHz, 0.1V
3. DCR : 1400mΩ Max
4. Turns Ratio: 1CT:1CT±5%
5. Insertion Loss: -1.10dB Max @ 1-100 MHz
6. Return Loss: -18.0dB Min @ 1-30 MHz    -14.4 dB Min @ 40 MHz  
-13.1 dB Min @ 50 MHz    -12.0dB Min @ 60-80 MHz  
-10.0 dB Min @ 100 MHz
7. Cross Talk: -30 dB Min @ 1-100 MHz
8. Cmmon Mode Rejection: -30 dB Min @ 1-100 MHz
9. Isolation Hipot: 1500VAC 1mA 60S
10. Operating temperature 0°C to +70°C
11. Storage temperature -40°C to +85°C

## D. PACKAGE INFORMATION

Package Quantity:

One Reel=400Pcs

One Inner Carton=400\*2=800Pcs

One Export Carton=800\*2=1600Pcs

