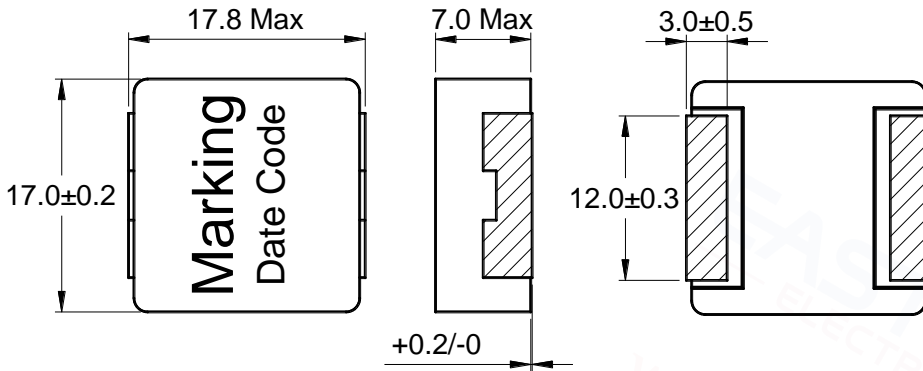


# Molding Power Inductor



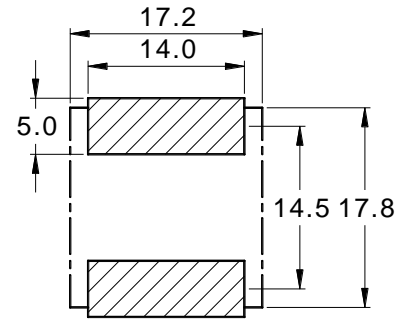
## 1 Appearance and dimensions (mm)

外形尺寸



## 2 Reference land pattern (mm)

参考基板尺寸



## 3 Electrical characteristics 电气特性

Part No. 型号	Inductance (μH) 电感值 ※1 ±20%	D.C.R. (mΩ) 直流电阻		Saturation current (A) 饱和电流 ※2 Typical	Temperature rise current (A) 温升电流 ※3 Typical
		Typical	Max		
ET1770-R68M	0.68	1.60	2.00	68.0	35.0
ET1770-1R0M	1.00	1.60	2.00	41.0	35.0
ET1770-1R5M	1.50	1.80	2.20	40.0	33.0
ET1770-2R2M	2.20	2.20	2.50	34.0	30.0
ET1770-3R3M	3.30	4.20	4.80	30.0	22.0
ET1770-4R7M	4.70	4.20	4.80	24.0	22.0
ET1770-6R8M	6.80	6.80	7.55	22.0	17.0
ET1770-8R2M	8.20	7.75	8.70	20.0	16.0
ET1770-100M	10.0	9.10	11.2	18.0	14.9
ET1770-150M	15.0	19.2	23.0	14.5	10.3
ET1770-200M	20.0	20.4	23.0	12.0	10.0
ET1770-220M	22.0	19.9	23.0	12.0	10.1
ET1770-330M	33.0	30.2	37.0	10.0	8.20
ET1770-470M	47.0	40.0	47.0	7.50	7.10
ET1770-560M	56.0	47.8	58.0	7.00	6.50
ET1770-680M	68.0	52.8	60.0	6.50	6.20

All data is tested based on 25°C ambient temperature. 所有测试数据基于环境温度25°C条件下测试。

※1. Inductance measure condition at 100kHz, 0.1V. 电感测试条件为100kHz, 0.1V。

※2. Saturation current the actual value of DC current when the inductance decrease 20% of its initial value.  
饱和电流：电感值下降其初始值的20%时所加载的实际直流电流值。

※3. Temperature rise current the actual value of DC current when the temperature rise is ΔT40 (Ta=25).  
温升电流：使产品温度上升到ΔT40°C时所加载的实际直流电流值(Ta=25°C)