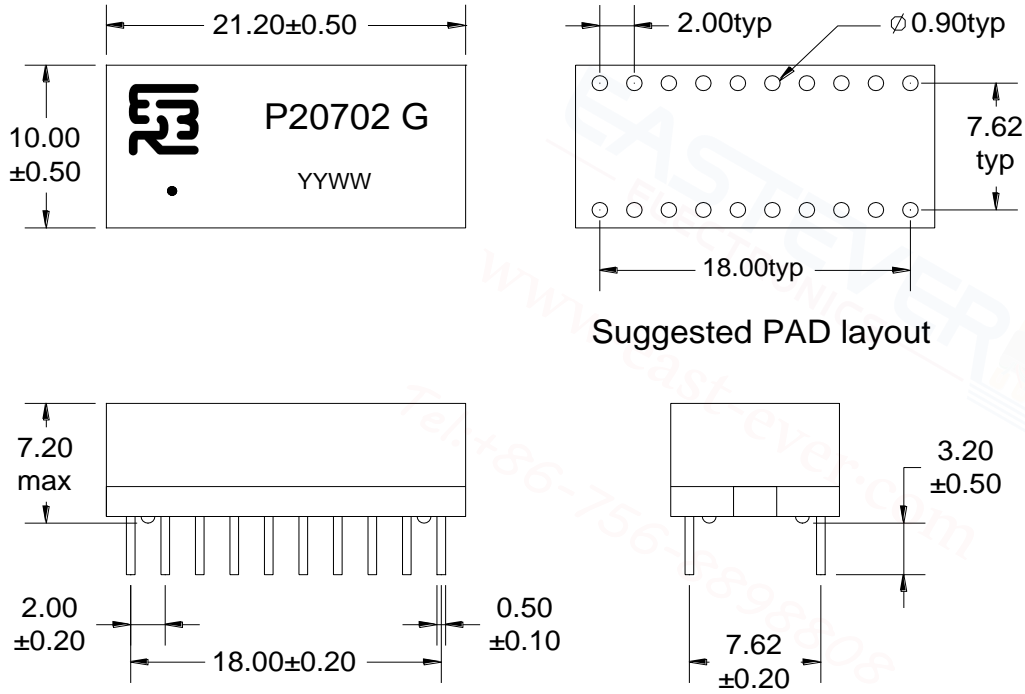


# LAN Transformer

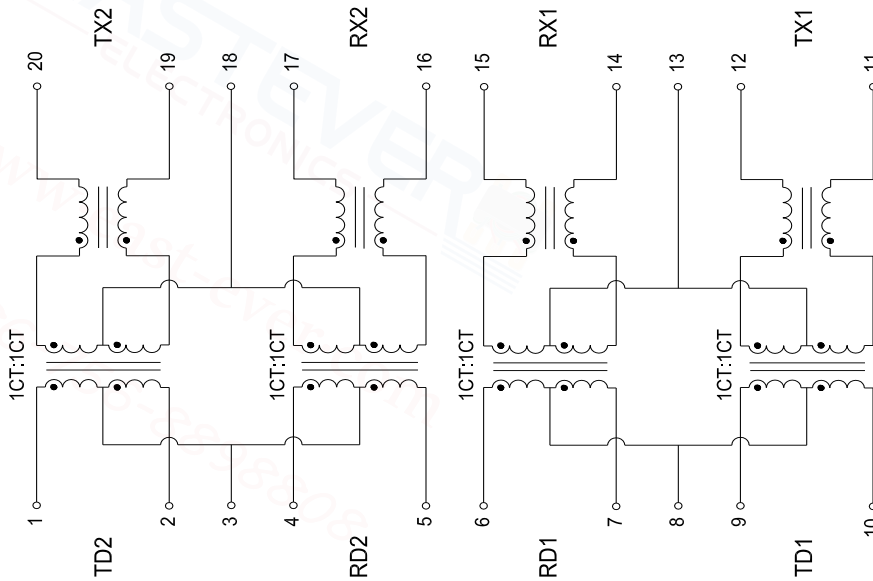
100/1000 BASE-T P20702G

REV: 0

## A. MECHANICAL (unit:mm)



## B. SCHEMATICS



# LAN Transformer

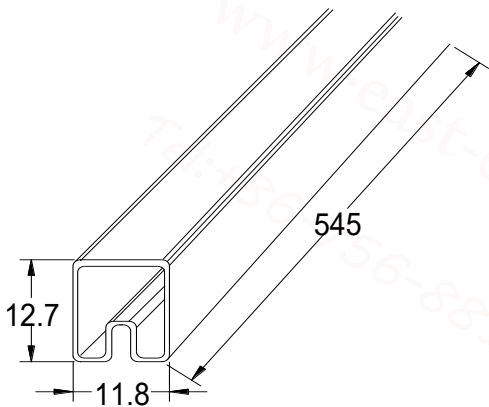
100/1000 BASE-T P20702 G

REV: 0

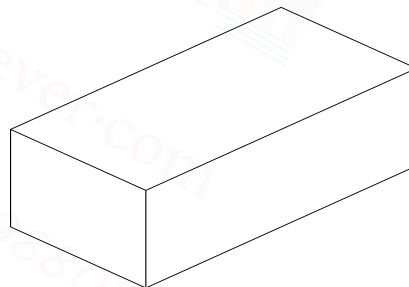
## C. ELECTRICAL SPECIFICATIONS @25°C

1. OCL: 350uH Min @ 100 KHz, 0.1V with 8mA DC BIAS
2. Leakage Inductance: 0.5uH Max @ 100KHz, 0.1V
3. DCR: 1400mΩ Max
4. Turns Ratio: 1CT:1CT±5%
5. Insertion Loss: -1.1 dB Max @ 1-100 MHz
6. Return Loss: -18 dB Min @ 1-30 MHz  
-14.4 dB Min @ 40 MHz  
-13.1 dB Min @ 50 MHz  
-12 dB Min @ 60-80 MHz
7. Cross Talk: -30 dB Min @ 1-100 MHz
8. Common Mode Rejection: -30 dB Min @ 1-100 MHz
9. Isolation Hipot: 1500VAC 1mA 60S
10. Operating temperature 0°C to +70°C
11. Storage temperature -40°C to +85°C

## CI. PACKAGE INFORMATION

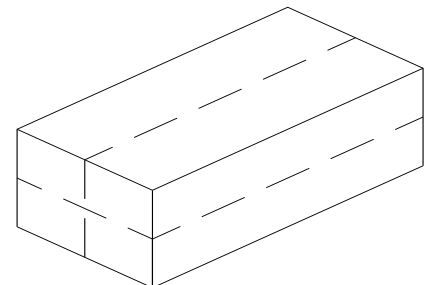


Tube:  
545\*12.7\*11.8mm



Inner Carton:  
L550\*W240\*H210mm

Package Quantity:



One Tube=25Pcs

One Carton=25\*320=8000Pcs