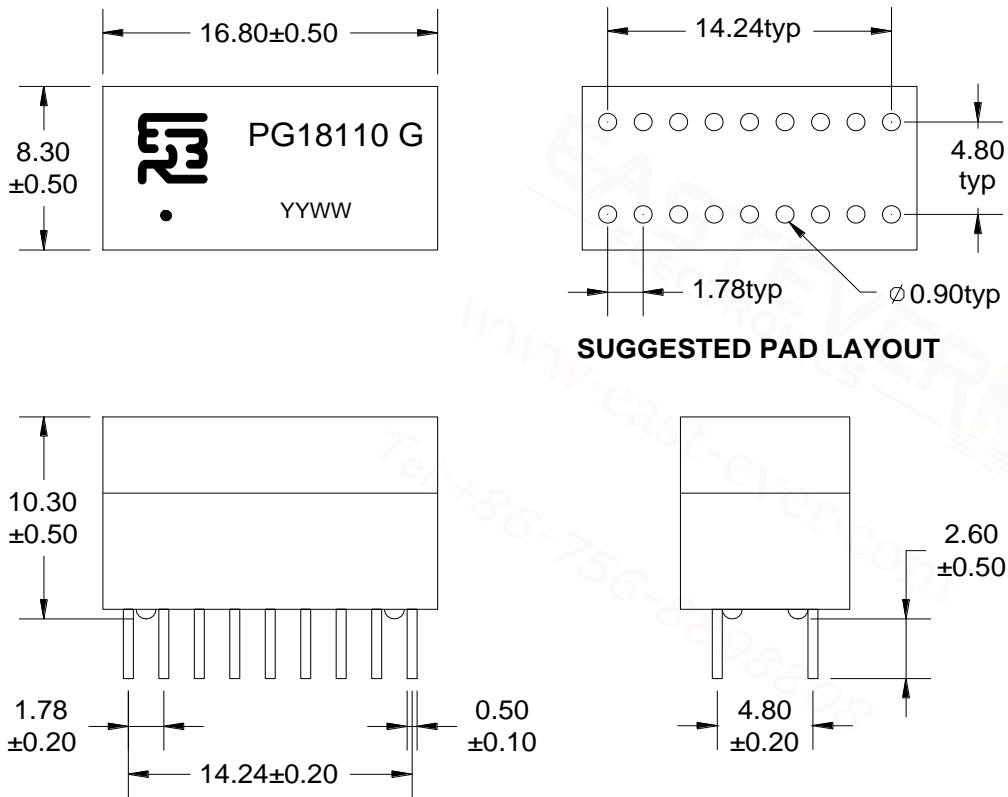


LAN Transformer

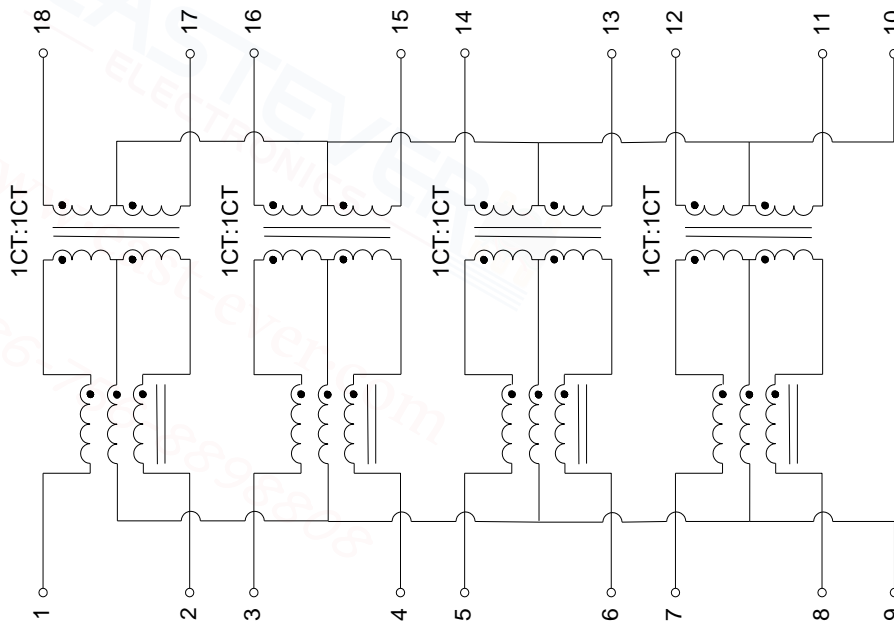
100/1000 BASE-T PG18110 G

REV: 0

A. MECHANICAL (unit:mm)



B. SCHEMATICS



LAN Transformer

10/100 BASE-TX PG18110 G

REV: 0

C. ELECTRICAL SPECIFICATIONS @25°C

1. OCL: 350 uH Min @ 100 KHz, 0.1V with 8mA DC BIAS
2. Leakage Inductance: 0.5uH Max @ 100KHz, 0.1V
3. DCR: 1400mΩ Max
4. Turns Ratio: 1CT:1CT±5%
5. Insertion Loss: -1.2 dB Max @ 0.5-1 MHz
 - a. $0.2-0.002 \cdot f^{1.4}$ dB Max @ 1-125 MHz
6. Return Loss: -16 dB Min @ 1-40 MHz
 - a. $10+20 \cdot \log(f/80)$ dB Min @ 40.1-100 MHz
7. Cross Talk: -30 dB Min @ 1-100 MHz
8. Common Mode Rejection: -30 dB Min @ 1-100 MHz
9. Isolation Hipot: 1500VAC 1mA 60S
10. Operating temperature 0°C to +70°C
11. Storage temperature -40°C to +85°C

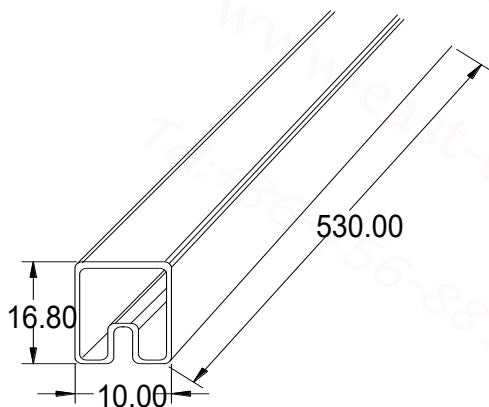
D. PACKAGE INFORMATION

Package Quantity:

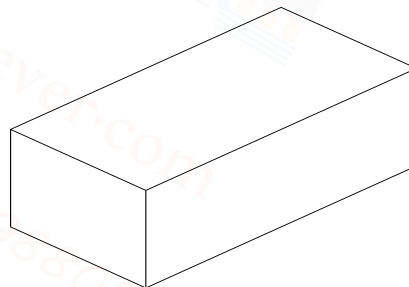
One Tube=30Pcs

One Inner Carton=30*70=2100Pcs

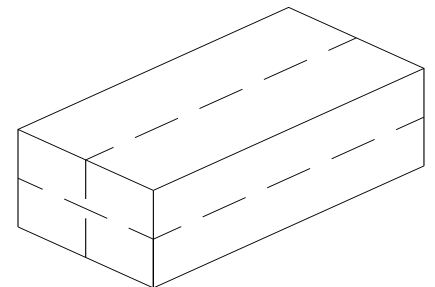
One Export Carton=2100*4=8400Pcs



Tube:
530.00*10.00*16.80mm



Inner Carton:
L570*W180*H100mm



Export Carton:
L580*W380*H240mm