



ETHERNET CONNECTOR MODULE SELECTOR GUIDE

ABOUT OUR ETHERNET CONNECTOR MODULES



With An Extensive Range Of High-Quality And High Volume Ethernet Connector Modules In Our Product Lineup, EASTEVER Electronic Can Easily Supply The Parts You Need To Develop Your Next Great Ethernet Product. EASTEVER Works Closely With The IEEE 802.3 Committees To Develop And Test The Next Generation Of Ethernet Technology Within Our Ethernet Connector Modules. Additionally, EASTEVER Works With The Leading PHY Manufacturers To Test Our Product For Compatability With Their Phys. When You Select A EASTEVER Ethernet Connector Module You Will Have Confidence In The Performance, Quality And High-Volume Manufacturability.

EASTEVER Has A Broad Portfolio Of Catalog Ethernet Connector Modules But Also Can Develop Customized Parts For Your Specific Needs. Some Of The Options For Our Ethernet Connector Modules Are As Follows. Our Broad Portfolio Of Ethernet Connector Modules Work With Almost Every Application Requiring IEEE 802.3 Twisted Pair Ethernet.

Features And Benefits

- IEEE 802.3 Compliant to 10G
- Multiple Platforms - 1x1, 1xN, 2xN Tab up, Tab Down, Side Entry, Top Entry, Low Profile, Offset
- Higher Isolation (TVS, Surge)
- PoE++ Capable Up To 150W
- Operating Temp. from 0 to 70°C / -40 to 85°C

Applications

- Switch
- Server
- Router
- Gateway
- Access Points
- Base Stations



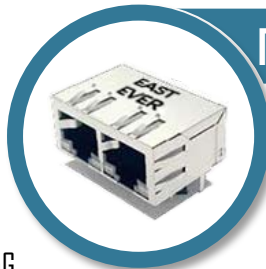
EASTEVER ICMs

FAMILY PLATFORMS GUIDE



RA1 Series

1*1
Tap Down
LED Option
PoE Option
10/100&1/2.5/5G



RA2 Series

1*2
Tap Down
LED Option
10/100&1G



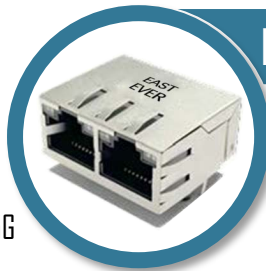
RM4 Series

2*4
Tap Both
LED Option
1/2.5/5G



RB1 Series

1*1
Tap Up
LED Option
10/100&1/2.5/5G



RF2 Series

1*2
Tap Up
LED Option
10/100&1G



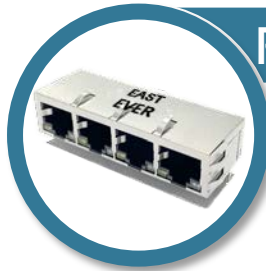
RM6 Series

2*6
Tap Both
LED Option
10/100&1G



RF1 Series

1*1
Tap Up
LED Option
10/100&1G



RA4 Series

1*4
Tap Down
LED Option
PoE Option
10/100&1/2.5/5G



RM8 Series

2*8
Tap Both
LED Option
10/100&1G



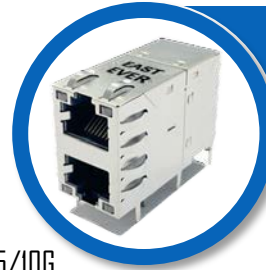
RG1 Series

1*1
Tap Up
LED Option
PoE/PoE+ Option
1/2.5/5/10G



RM1 Series

2*1
Tap Both
LED Option
1/2.5/5G
10/100&1/2.5/5/10G



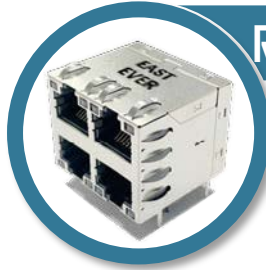
RN1 Series

2*1
Tap Both
LED Option
PoE/PoE+ Option
10/100&1G



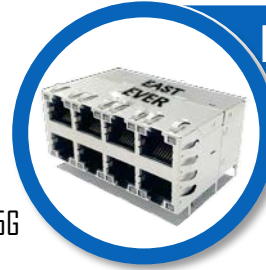
RVA Series

1*1
Tap Up
LED Option
10/100&1G



RM2 Series

2*2
Tap Both
LED Option
10/100&1/2.5/5G



RN4 Series

2*4
Tap Both
LED Option
PoE/PoE+ Option
1/2.5/5/10G



Balun Transformer | Coupler | Divider | Inductor | Choke | Bead | Air Coil | LAN Transformer

Zhuhai Eastever Electronic Co.,Ltd | Building 5,Yuxun Science Park,7 Pingxi 1st Rd,Xiangzhou Dt,Zhuhai | www.east-ever.com | james@east-ever.com | Tel: 86-756-8898808



EASTEVER
ELECTRONICS



RoHS COMPLIANT

Features And Benefits:

RoHS Peak Wave Solder Temperature Rating 260°C
Suitable For CAT 5 & 6 Fast Ethernet Cable Or Better UTP

Electrical Performance Summary:

Compliant With IEEE 802.3 Standard
350 μ H Minimum OCL With 8mA Bias Current

RA1 SERIES
1*1 TAB-DOWN ICMs

Electrical Specifications @ 25°C

Part Number	Speed	Mech. Drawing	EMI Fingers	LEDs (L/R)	Insertion Loss (dB Typ.)	Return Loss (dB Typ.)	Crosstalk (dB Typ.)	CMRR (dB Typ.)	PoE Rating
RA11121TH4GA	10/100	A	YES	G & Y	-1.0dB @1-100MHz	-10dB @1-100MHz	-30dB @1-100MHz	-30dB @1-100MHz	NON-PoE
RA19013H02GA	10/100	B	NO	G & Y	-1.0dB @1-100MHz	-10dB @1-100MHz	-30dB @1-100MHz	-30dB @1-100MHz	NON-PoE
RA16010H04GA	10/100	D	NO	NO	-1.0dB @1-100MHz	-10dB @1-100MHz	-30dB @1-100MHz	-30dB @1-100MHz	NON-PoE
RA19113G02GA	1G	A	YES	G & Y	-1.0dB @1-100MHz	-10dB @1-100MHz	-30dB @1-100MHz	-30dB @1-100MHz	NON-PoE
RA12115G20GA	1G	A	YES	G & Y	-1.0dB @1-100MHz	-10dB @1-100MHz	-30dB @1-100MHz	-30dB @1-250MHz	NON-PoE
RA11011Q22GA	2.5/5G	B	NO	G & Y	-2.0dB @1-250MHz	-8.0dB @1-250MHz	-30dB @1-250MHz	-30dB @1-250MHz	NON-PoE
RA11111Q22GA	2.5/5G	A	YES	G & Y	-2.0dB @1-250MHz	-8.0dB @1-250MHz	-30dB @1-250MHz	-30dB @1-100MHz	NON-PoE
RA1120G02GA	1G	C	YES	NO	-1.0dB @1-100MHz	-10dB @1-100MHz	-30dB @1-100MHz	-30dB @1-100MHz	NON-PoE
RA19013PH0GA	1G	B	NO	G & Y	-1.0dB @1-100MHz	-10dB @1-100MHz	-30dB @1-100MHz	-30dB @1-100MHz	4PPoE 30W
RA10030PHEGA	10/100	D	NO	NO	-1.0dB @1-100MHz	-10dB @1-100MHz	-30dB @1-100MHz	-30dB @1-100MHz	2PPoE 15W
RA11121PH2GA	10/100	A	YES	G & Y	-1.0dB @1-100MHz	-10dB @1-100MHz	-30dB @1-100MHz	-30dB @1-100MHz	2PPoE 15W
RA11113PH7GA	10/100	A	YES	G & Y	-1.0dB @1-100MHz	-10dB @1-100MHz	-30dB @1-100MHz	-30dB @1-100MHz	2PPoE 30W
RA10020PG4GA	1G	D	NO	NO	-1.0dB @1-100MHz	-10dB @1-100MHz	-30dB @1-100MHz	-30dB @1-100MHz	2PPoE 30W
RA12025PG5GA	10/100	A	YES	G & Y	-1.0dB @1-100MHz	-10dB @1-100MHz	-30dB @1-100MHz	-30dB @1-100MHz	4PPoE 60W

NOTES:

1. LED Option Colors: G=Green Y=Yellow O=Orange A=Amber 2. Minimum 1500Vrms Isolation Per IEEE 802.3 Requirement

RJ45 Durability Testing Rating

Part Number	Mating Force (MAX)	Unmating Force (MAX)	Durability	Plug to Jack Retention(MIN)
RA1 Series	5 lbs./2.268 kgs.	5 lbs./2.268 kgs.	750 Insertions	20 lbs./9.072 kgs.

RJ45 Material Specification

Part Number	Contact			Shield		Housing		MSL Rating
	Material	Plating Area	Solder Area	Material	Finish	Material	Specification	
RA1 Series	Phosphor Bronze	Gold Flash-50 μ " Glad Over 30 μ " Min Nickel	100 μ " Min Tin On Solder Tail	Brass	30 μ " Min Nickel Over Brass	Thermoplastic	UL 94 V-0	1

NOTES:

1. Connector Dimensions Comply With FCC Dimension Requirements 2. MSL - Moisture Sensitivity Level

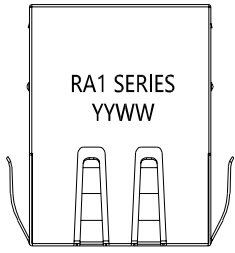


Balun Transformer | Coupler | Divider | Inductor | Choke | Bead | Air Coil | LAN Transformer

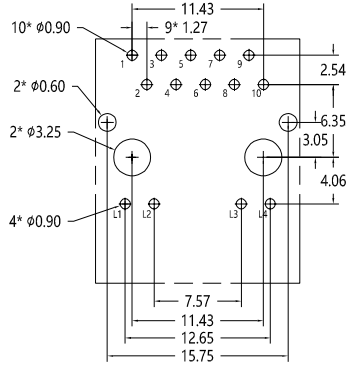
Zhuhai Eastever Electronic Co.,Ltd | Building 5,Yuxun Science Park,7 Pingxi 1st Rd,Xiangzhou Dt,Zhuhai | www.east-ever.com | james@east-ever.com | Tel:" 86-756-8898808

Mechanical(Continued)

A Type



Dimensions:mm
Unless Otherwise Specified,
All Tolerances Are ± 0.25

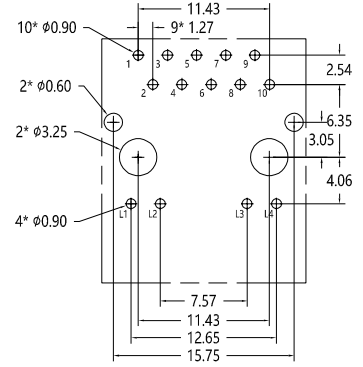


SUGGESTED PCB LAYOUT

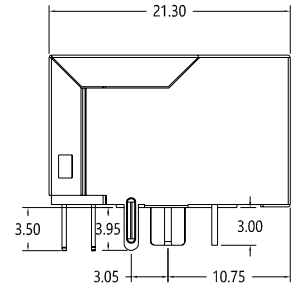
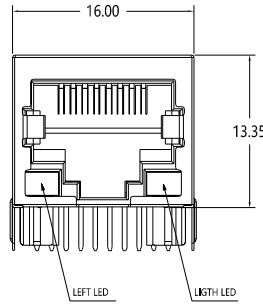
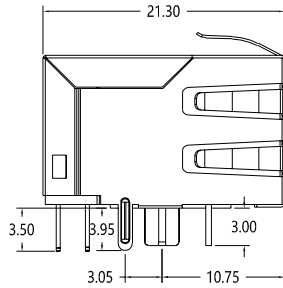
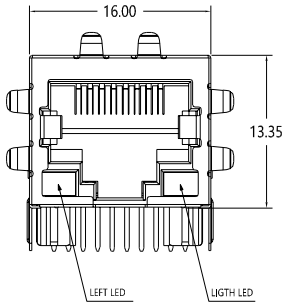
B Type



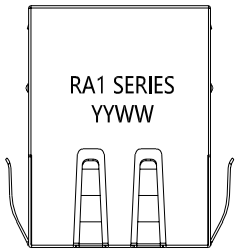
Dimensions:mm
Unless Otherwise Specified,
All Tolerances Are ± 0.25



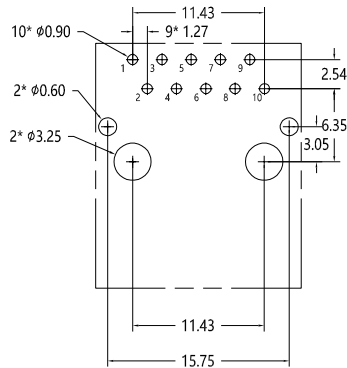
SUGGESTED PCB LAYOUT



C Type

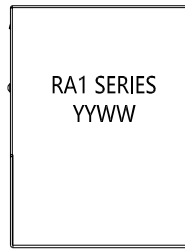


Dimensions:mm
Unless Otherwise Specified,
All Tolerances Are ± 0.25

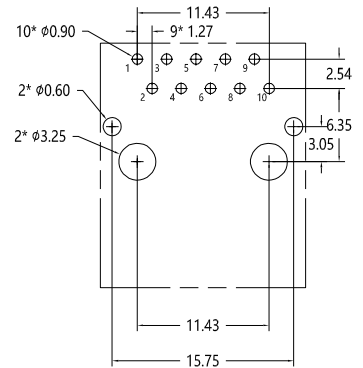


SUGGESTED PCB LAYOUT

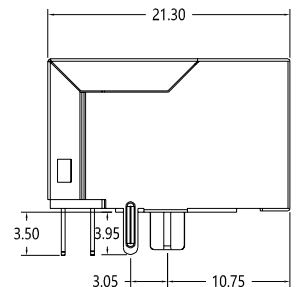
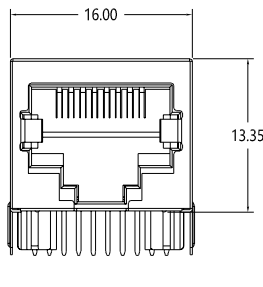
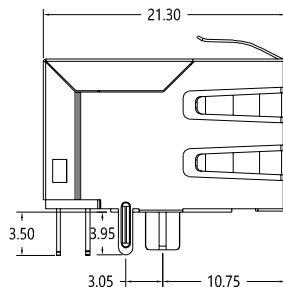
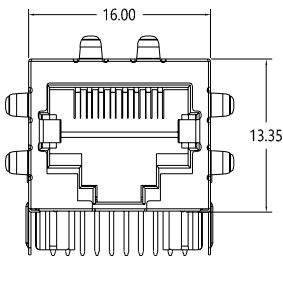
D Type



Dimensions:mm
Unless Otherwise Specified,
All Tolerances Are ± 0.25

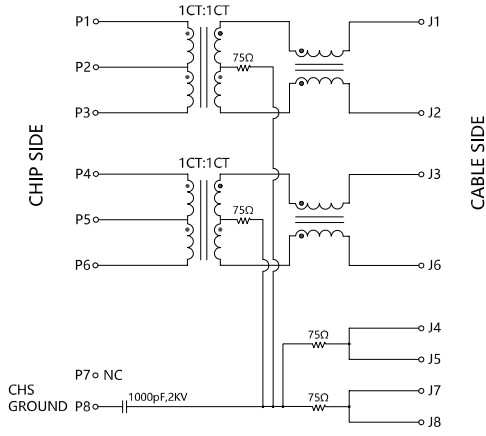


SUGGESTED PCB LAYOUT

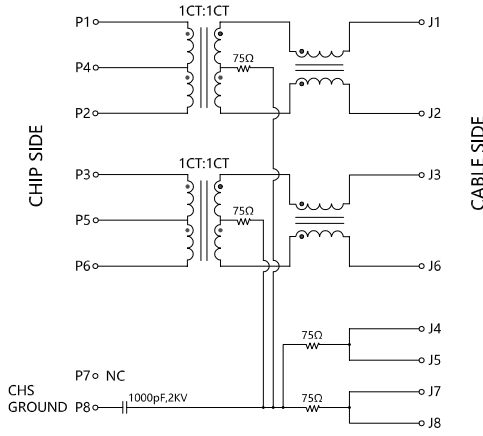


Electrical Schematics

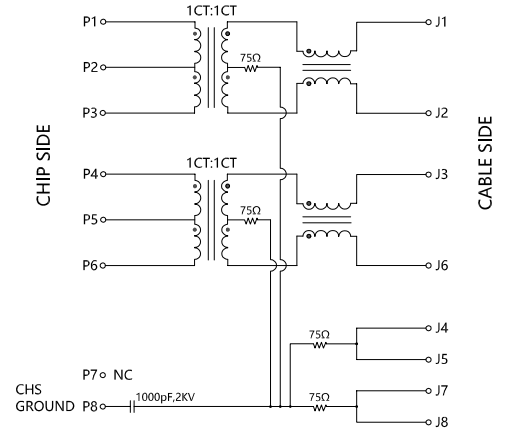
RXXxxxxTH4



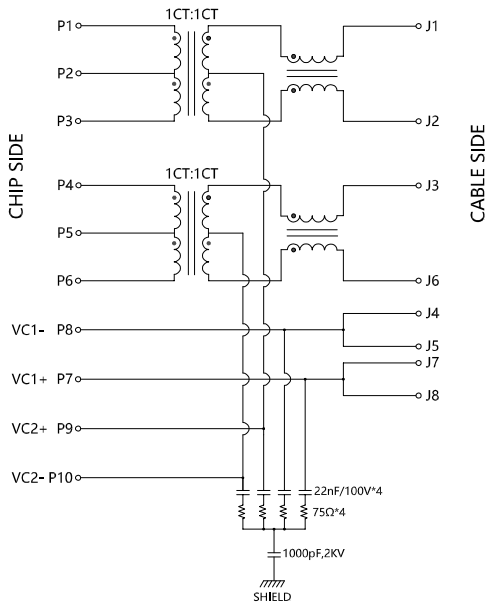
RXXxxxxHO2



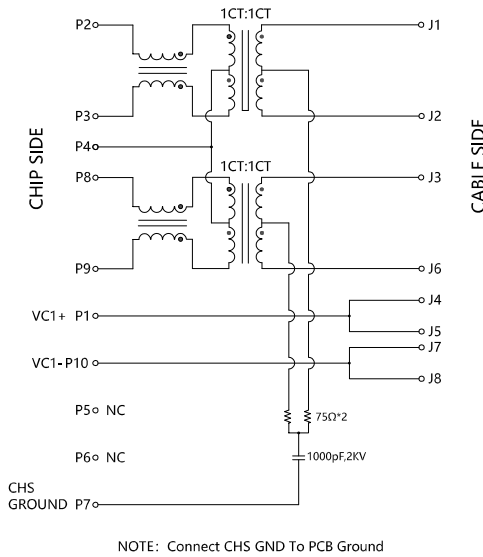
RXXxxxxHO4



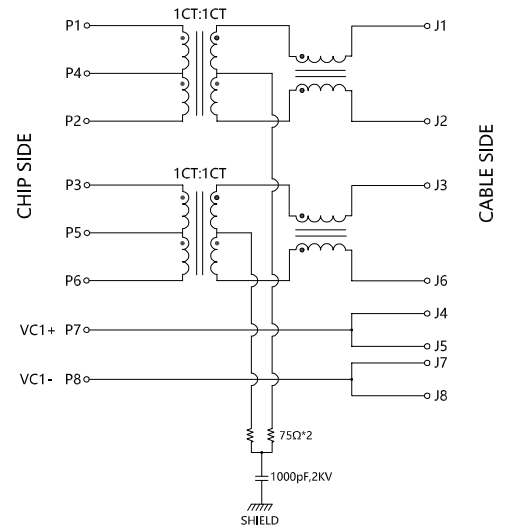
RXXxxxxPHD



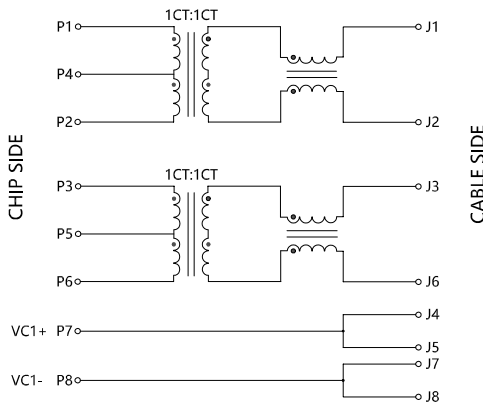
RXXxxxxPHE



RXXxxxxPH2

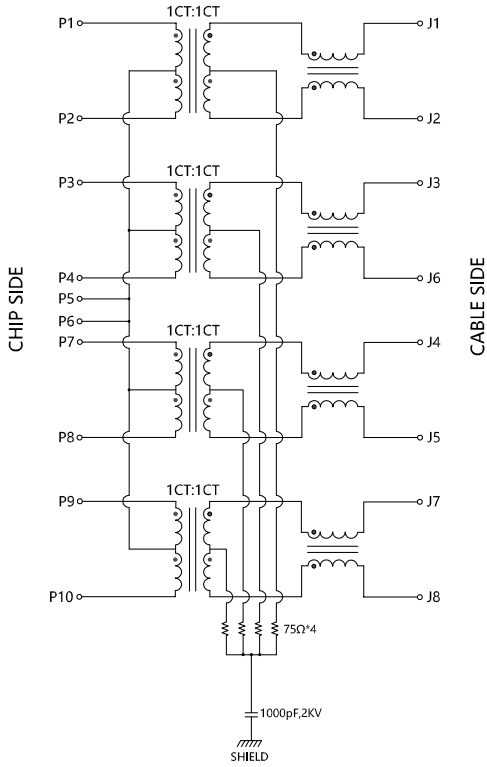


RXXxxxxPH7

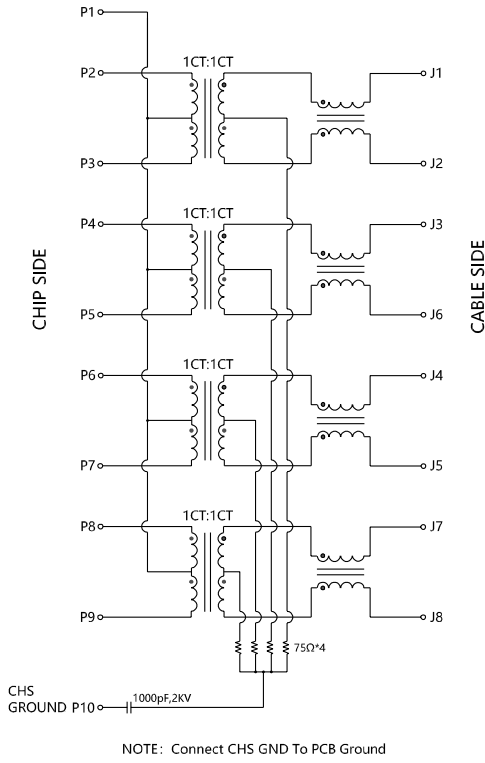


Electrical Schematics

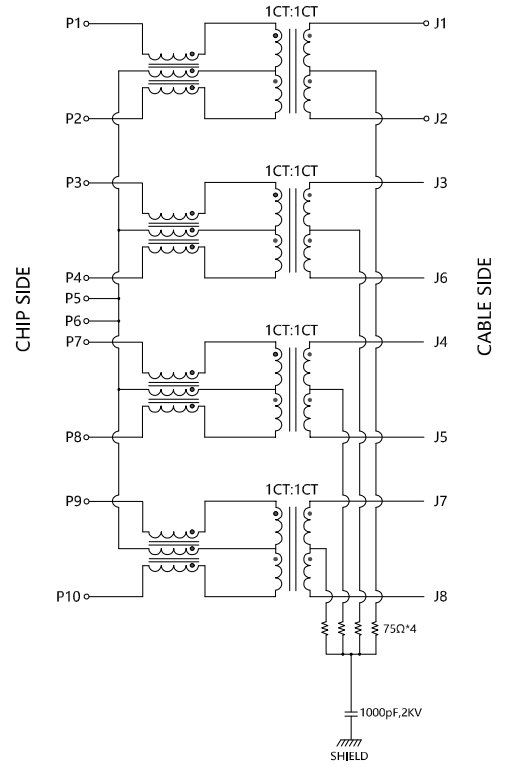
RXXxxxxG02



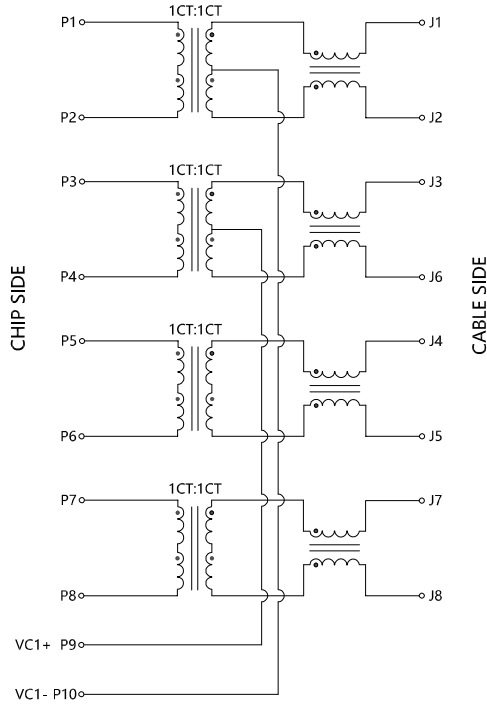
RXXxxxxG20



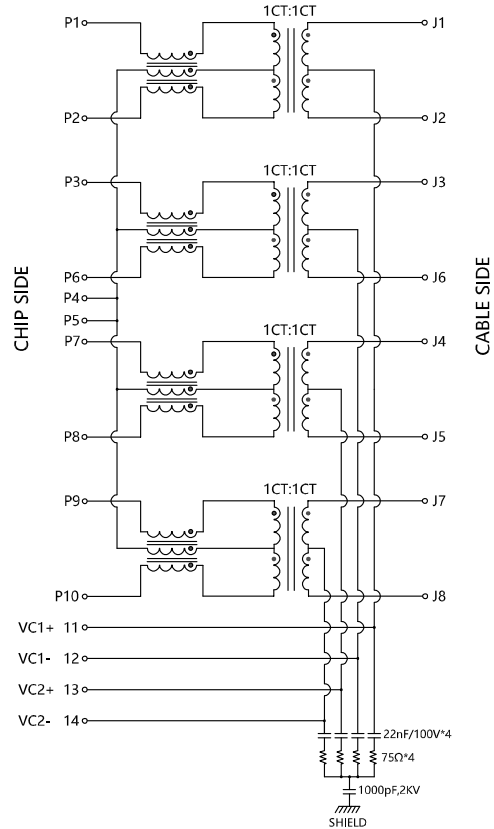
RXXxxxxQ22



RXXxxxxPG4

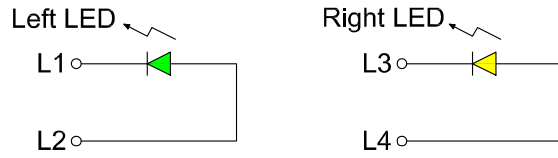


RXXxxxxPG5

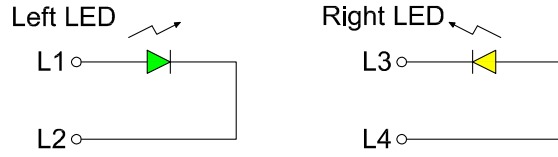


LED Configuration

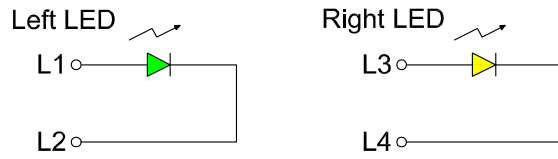
RXXxxx1



RXXxxx3



RXXxxx5





EASTEVER
ELECTRONICS



RoHS COMPLIANT

Features And Benefits:

RoHS Peak Wave Solder Temperature Rating 260°C
Suitable For CAT 5 & 6 Fast Ethernet Cable Or Better UTP

Electrical Performance Summary:

Compliant With IEEE 802.3 Standard
350 μ H Minimum OCL With 8mA Bias Current

RB1 SERIES

1*1 TAB-UP ICMs

Electrical Specifications @ 25°C

Part Number	Speed	Mech. Drawing	EMI Fingers	LEDs (L/R)	Insertion Loss (dB Typ.)	Return Loss (dB Typ.)	Crosstalk (dB Typ.)	CMRR (dB Typ.)	PoE Rating
RB16010G32GA	1G	C	NO	NO	-1.0dB @1-100MHz	-10dB @1-100MHz	-30dB @1-100MHz	-30dB @1-100MHz	NON-PoE
RB11011H04GA	10/100	B	NO	G & Y	-1.0dB @1-100MHz	-10dB @1-100MHz	-30dB @1-100MHz	-30dB @1-100MHz	NON-PoE
RB11119H02GA	10/100	A	YES	Y & G	-1.0dB @1-100MHz	-10dB @1-100MHz	-30dB @1-100MHz	-30dB @1-100MHz	NON-PoE
RB1112RG02GA	1G	A	YES	O/G & G	-1.0dB @1-100MHz	-10dB @1-100MHz	-30dB @1-100MHz	-30dB @1-100MHz	NON-PoE
RB1131EG22GA	1G	A	YES	G & O/G	-1.0dB @1-100MHz	-10dB @1-100MHz	-30dB @1-100MHz	-30dB @1-100MHz	NON-PoE
RB1131EQ02GA	2.5/5G	A	YES	G & O/G	-2.0dB @1-250MHz	-8.0dB @1-250MHz	-30dB @1-250MHz	-30dB @1-250MHz	NON-PoE

NOTES:

1. LED Option Colors: G=Green Y=Yellow O=Orange A=Amber 2. Minimum 1500Vrms Isolation Per IEEE 802.3 Requirement

RJ45 Durability Testing Rating

Part Number	Mating Force (MAX)	Unmating Force (MAX)	Durability	Plug to Jack Retention(MIN)
RB1 Series	5 lbs./2.268 kgs.	5 lbs./2.268 kgs.	750 Insertions	20 lbs./9.072 kgs.

RJ45 Material Specification

Part Number	Contact			Shield		Housing		MSL Rating
	Material	Plating Area	Solder Area	Material	Finish	Material	Specification	
RB1 Series	Phosphor Bronze	Gold Flash-50 μ " Gold Over 30 μ " Min Nickel	100 μ " Min Tin On Solder Tail	Brass	30 μ " Min Nickel Over Brass	Thermoplastic	UL 94 V-0	1

NOTES:

1. Connector Dimensions Comply With FCC Dimension Requirements 2. MSL - Moisture Sensitivity Level

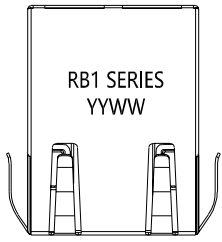


Balun Transformer | Coupler | Divider | Inductor | Choke | Bead | Air Coil | LAN Transformer

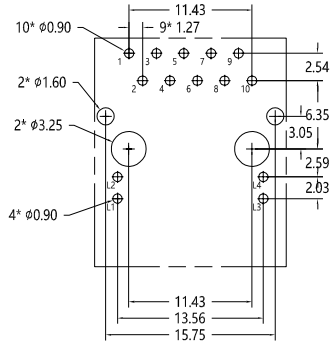
Zhuhai Eastever Electronic Co.,Ltd | Building 5,Yuxun Science Park,7 Pingxi 1st Rd,Xiangzhou Dt,Zhuhai | www.east-ever.com | james@east-ever.com | Tel:" 86-756-8898808

Mechanicals(Continued)

A Type

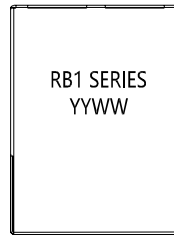


Dimensions:mm
Unless Otherwise Specified,
All Tolerances Are ± 0.25

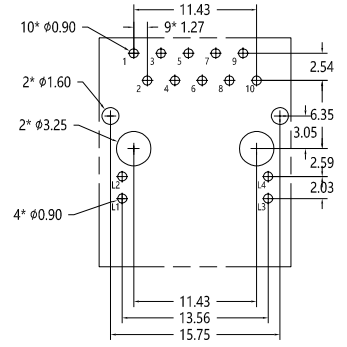


SUGGESTED PCB LAYOUT

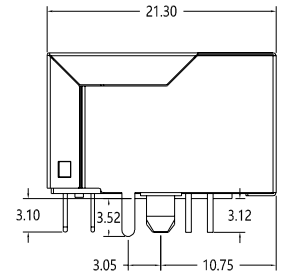
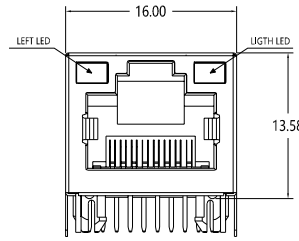
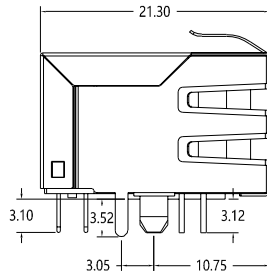
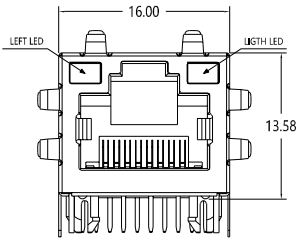
B Type



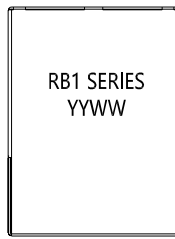
Dimensions:mm
Unless Otherwise Specified,
All Tolerances Are ± 0.25



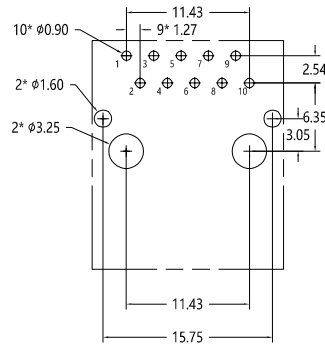
SUGGESTED PCB LAYOUT



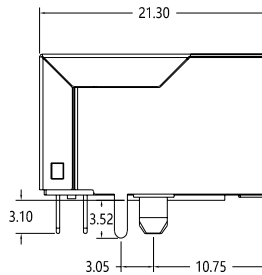
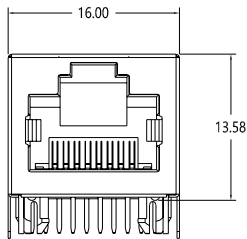
C Type



Dimensions:mm
Unless Otherwise Specified,
All Tolerances Are ± 0.25

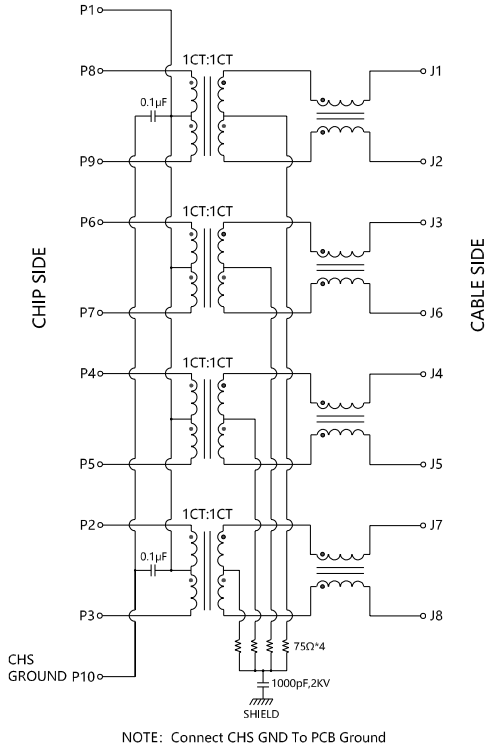


SUGGESTED PCB LAYOUT

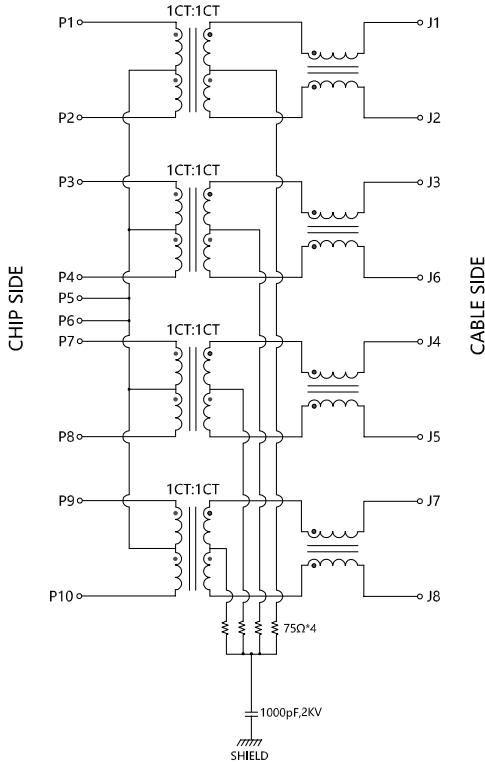


Electrical Schematics

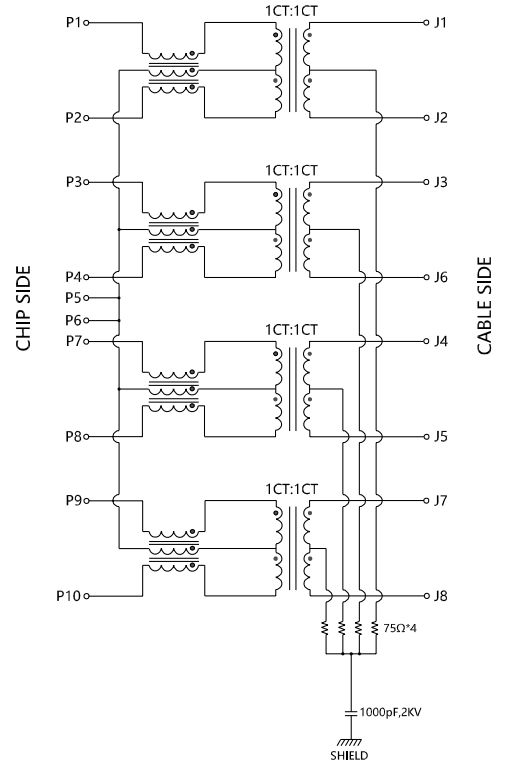
RXXxxxxG32



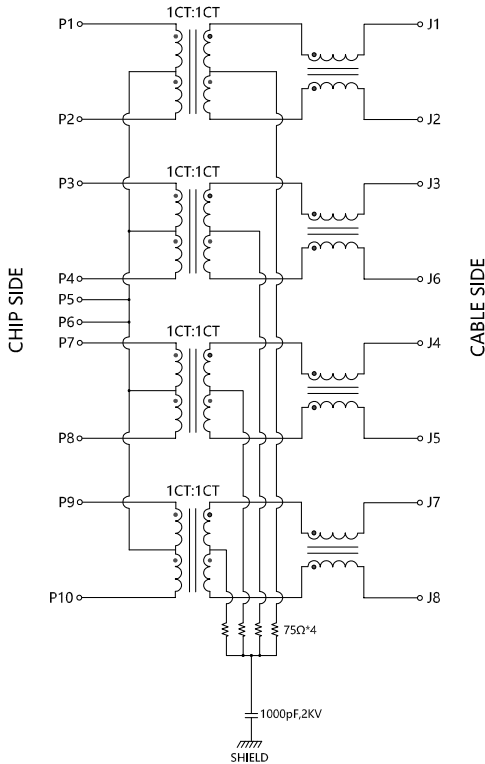
RXXxxxxG02



RXXxxxxG22

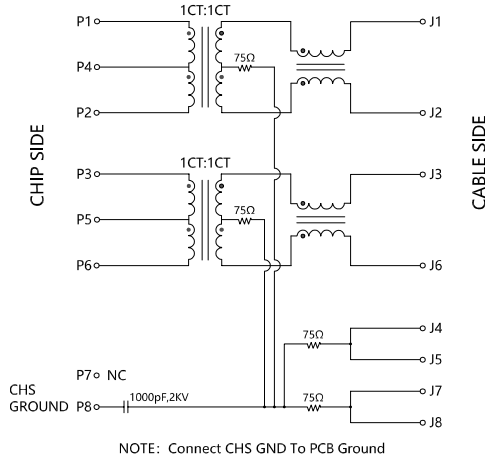


RXXxxxxQ02

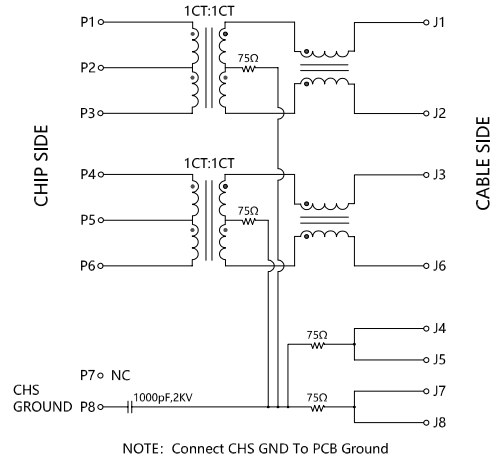


Electrical Schematics

RXXxxxxH02

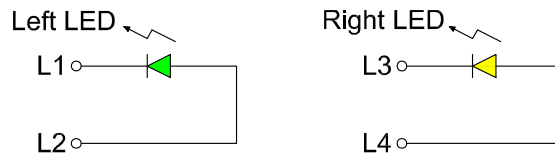


RXXxxxxH04

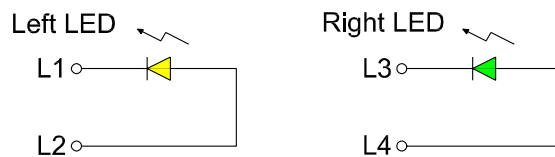


LED Configuration

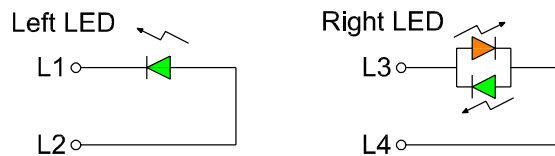
RXXxxx1



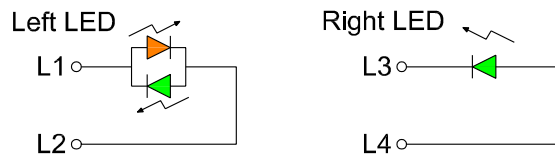
RXXxxx9



RXXxxxE



RXXxxxR





RF1 SERIES

1*1 TAB-UP ICMs

Features And Benefits:

RoHS Peak Wave Solder Temperature Rating 260°C
Suitable For CAT 5 & 6 Fast Ethernet Cable Or Better UTP

Electrical Performance Summary:

Compliant With IEEE 802.3 Standard
350 μ H Minimum OCL With 8mA Bias Current

Electrical Specifications @ 25°C

Part Number	Speed	Mech. Drawing	EMI Fingers	LEDs (L/R)	Insertion Loss (dB Typ.)	Return Loss (dB Typ.)	Crosstalk (dB Typ.)	CMRR (dB Typ.)	PoE Rating
RF1123HI7GA	10/100	A	YES	G & Y	-1.0dB @1-100MHz	-10dB @1-100MHz	-30dB @1-100MHz	-30dB @1-100MHz	NON-PoE
RF11022HD4GA	10/100	B	NO	Y & G	-1.0dB @1-100MHz	-10dB @1-100MHz	-30dB @1-100MHz	-30dB @1-100MHz	NON-PoE
RF1128GD2GD	1G	A	YES	G & G/Y	-1.0dB @1-100MHz	-10dB @1-100MHz	-30dB @1-100MHz	-30dB @1-100MHz	NON-PoE
RF11021G42GA	1G	B	NO	G & Y	-1.0dB @1-100MHz	-10dB @1-100MHz	-30dB @1-100MHz	-30dB @1-100MHz	NON-PoE
RF112KGD2GA	1G	A	YES	G & G/O	-1.0dB @1-100MHz	-10dB @1-100MHz	-30dB @1-100MHz	-30dB @1-100MHz	NON-PoE
RF112SPHFGA	10/100	A	YES	G & G	-1.0dB @1-100MHz	-10dB @1-100MHz	-30dB @1-100MHz	-30dB @1-100MHz	4PPoE 30W

NOTES:

1. LED Option Colors: G=Green Y=Yellow O=Orange A=Amber 2. Minimum 1500Vrms Isolation Per IEEE 802.3 Requirement

RJ45 Durability Testing Rating

Part Number	Mating Force (MAX)	Unmating Force (MAX)	Durability	Plug to Jack Retention(MIN)
RF1 Series	5 lbs./2.268 kgs.	5 lbs./2.268 kgs.	750 Insertions	20 lbs./9.072 kgs.

RJ45 Material Specification

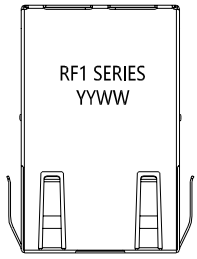
Part Number	Contact			Shield		Housing		MSL Rating
	Material	Plating Area	Solder Area	Material	Finish	Material	Specification	
RF1 Series	Phosphor Bronze	Gold Flash-50 μ " Glad Over 30 μ " Min Nickel	100 μ " Min Tin On Solder Tail	Brass	30 μ " Min Nickel Over Brass	Thermoplastic	UL 94 V-0	1

NOTES:

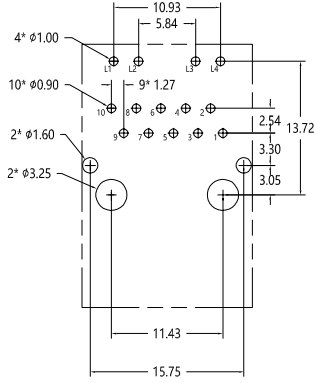
1. Connector Dimensions Comply With FCC Dimension Requirements 2. MSL - Moisture Sensitivity Level

Mechanical(Continued)

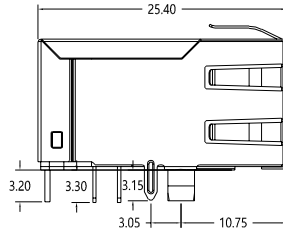
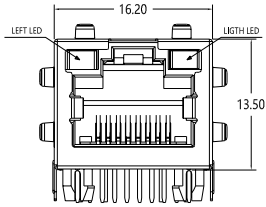
A Type



Dimensions:mm
Unless Otherwise Specified,
All Tolerances Are ±0.25



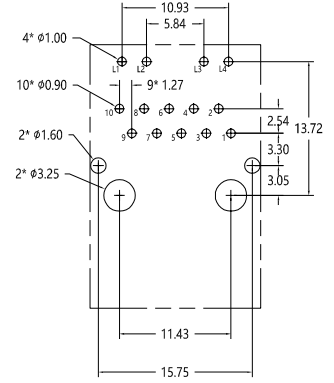
SUGGESTED PCB LAYOUT



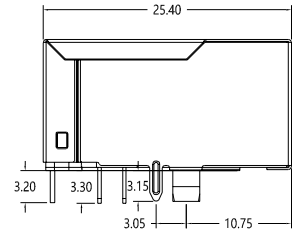
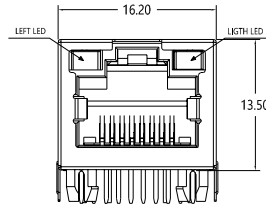
B Type



Dimensions:mm
Unless Otherwise Specified,
All Tolerances Are ±0.25

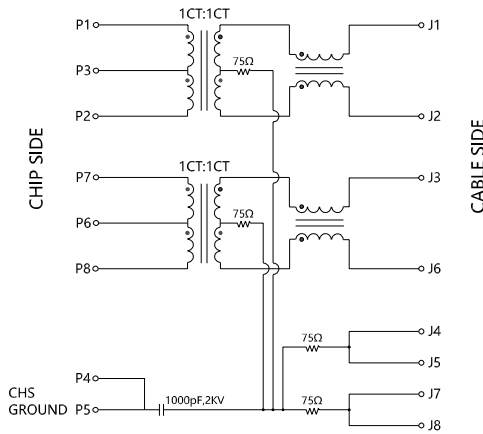


SUGGESTED PCB LAYOUT



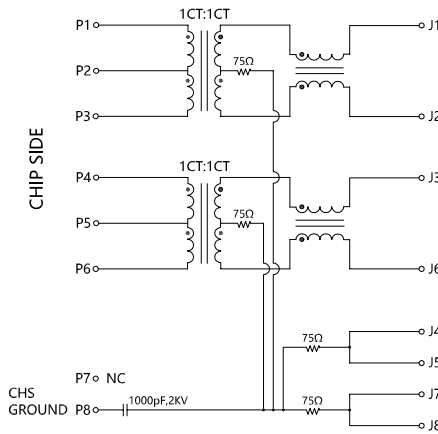
Electrical Schematics

RXXxxxxHI7



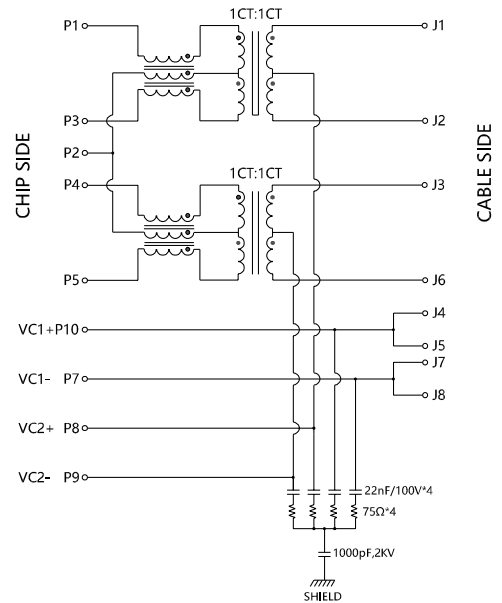
NOTE: Connect CHS GND To PCB Ground

RXXxxxxHO4



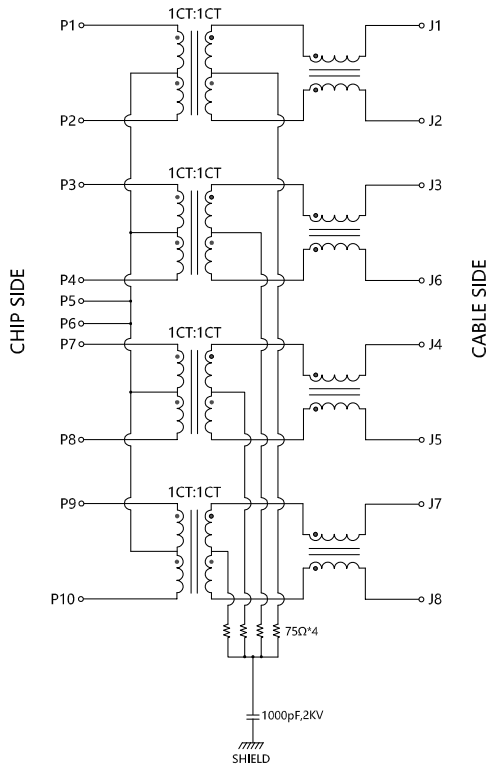
NOTE: Connect CHS GND To PCB Ground

RXXxxxxPHF

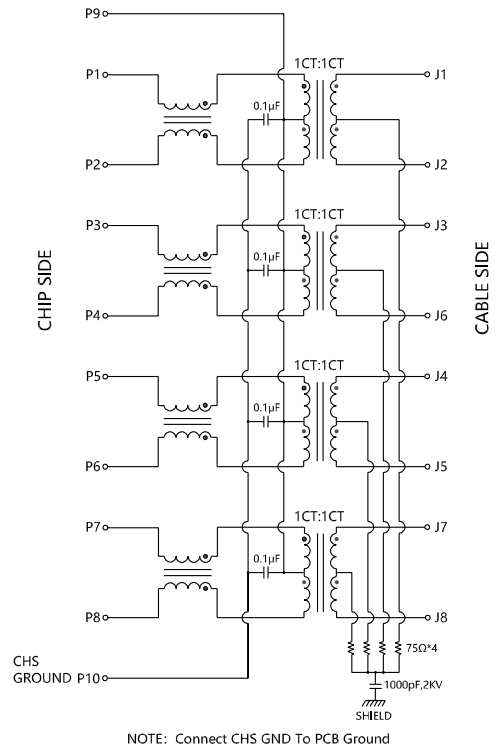


Electrical Schematics

RXXxxxxG02

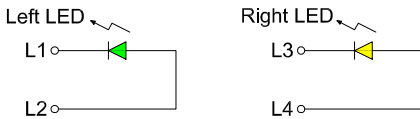


RXXxxxxG42

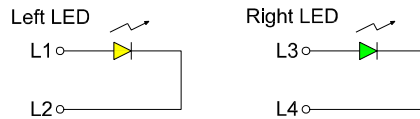


LED Configuration

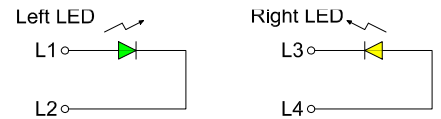
RXXxxx1



RXXxxx2



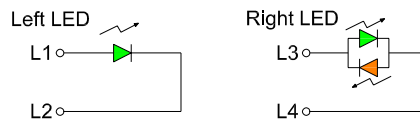
RXXxxx3



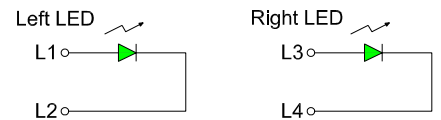
RXXxxx8



RXXxxxK



RXXxxxS





RG1 SERIES

1*1 TAB-UP ICMs

Features And Benefits:

RoHS Peak Wave Solder Temperature Rating 260°C
Suitable For CAT 5 & 6 Fast Ethernet Cable Or Better UTP

Electrical Performance Summary:

Compliant With IEEE 802.3 Standard
350 μ H Minimum OCL With 8mA Bias Current

Electrical Specifications @ 25°C

Part Number	Speed	Mech. Drawing	EMI Fingers	LEDs (L/R)	Insertion Loss (dB Typ.)	Return Loss (dB Typ.)	Crosstalk (dB Typ.)	CMRR (dB Typ.)	PoE Rating
RG16120G19GA	1G	B	YES	NO	-1.0dB @1-100MHz	-10dB @1-100MHz	-30dB @1-100MHz	-30dB @1-100MHz	NON-PoE
RG12123G40GA	1G	A	YES	G & Y	-1.0dB @1-100MHz	-10dB @1-100MHz	-30dB @1-100MHz	-30dB @1-100MHz	NON-PoE
RG12123G15GA	1G	A	YES	G & Y	-1.0dB @1-100MHz	-10dB @1-100MHz	-30dB @1-100MHz	-30dB @1-100MHz	NON-PoE
RG11121MD4GD	10G	A	YES	G & Y	-3.0dB @1-500MHz	-8.0dB @1-500MHz	-25dB @1-500MHz	-20dB @1-500MHz	NON-PoE
RG16120SMIGA	10G	B	YES	NO	-3.0dB @1-500MHz	-8.0dB @1-500MHz	-25dB @1-500MHz	-20dB @1-500MHz	NON-PoE
RG11121CPQ1GD	2.5/5G	A	YES	G & Y	-2.0dB @1-250MHz	-8.0dB @1-250MHz	-30dB @1-250MHz	-30dB @1-250MHz	4PPoE 30W
RG15120PQ2GD	2.5/5G	B	YES	NO	-2.0dB @1-250MHz	-8.0dB @1-250MHz	-30dB @1-250MHz	-30dB @1-250MHz	4PPoE 100W
RG11121PM1GD	10G	A	YES	G & Y	-3.0dB @1-500MHz	-8.0dB @1-500MHz	-25dB @1-500MHz	-20dB @1-500MHz	4PPoE 120W

NOTES:

1. LED Option Colors: G=Green Y=Yellow O=Orange A=Amber 2. Minimum 1500Vrms Isolation Per IEEE 802.3 Requirement

RJ45 Durability Testing Rating

Part Number	Mating Force (MAX)	Unmating Force (MAX)	Durability	Plug to Jack Retention(MIN)
RG1 Series	5 lbs./2.268 kgs.	5 lbs./2.268 kgs.	750 Insertions	20 lbs./9.072 kgs.

RJ45 Material Specification

Part Number	Contact			Shield		Housing		MSL Rating
	Material	Plating Area	Solder Area	Material	Finish	Material	Specification	
RG1 Series	Phosphor Bronze	Gold Flash-50 μ " Glad Over 30 μ " Min Nickel	100 μ " Min Tin On Solder Tail	Brass	30 μ " Min Nickel Over Brass	Thermoplastic	UL 94 V-0	I

NOTES:

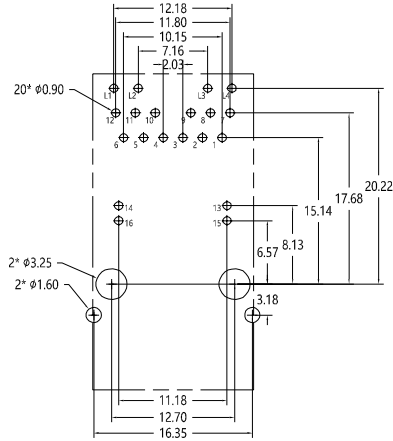
1. Connector Dimensions Comply With FCC Dimension Requirements 2. MSL - Moisture Sensitivity Level

Mechanical(Continued)

A Type



Dimensions:mm
Unless Otherwise Specified,
All Tolerances Are ±0.25

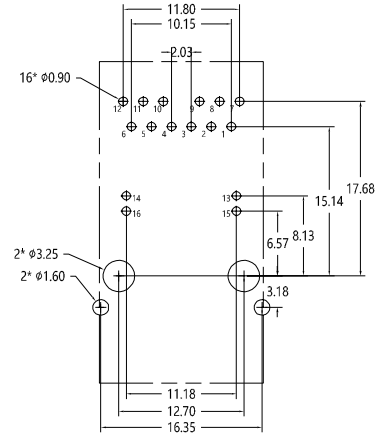


SUGGESTED PCB LAYOUT

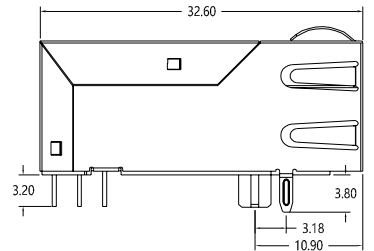
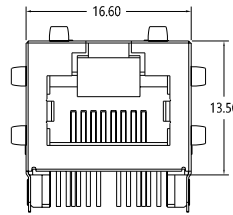
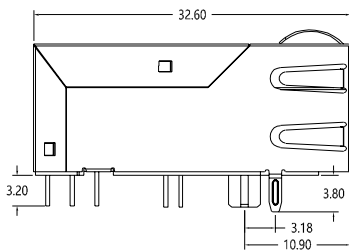
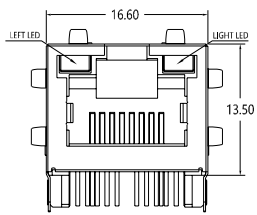
B Type



Dimensions:mm
Unless Otherwise Specified,
All Tolerances Are ±0.25

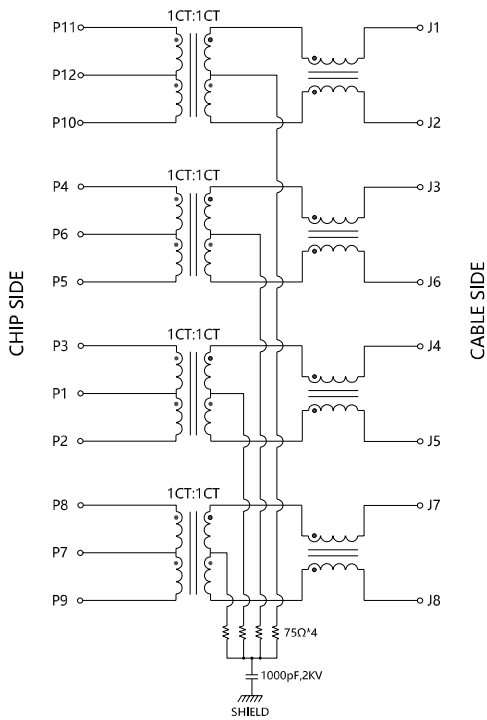


SUGGESTED PCB LAYOUT

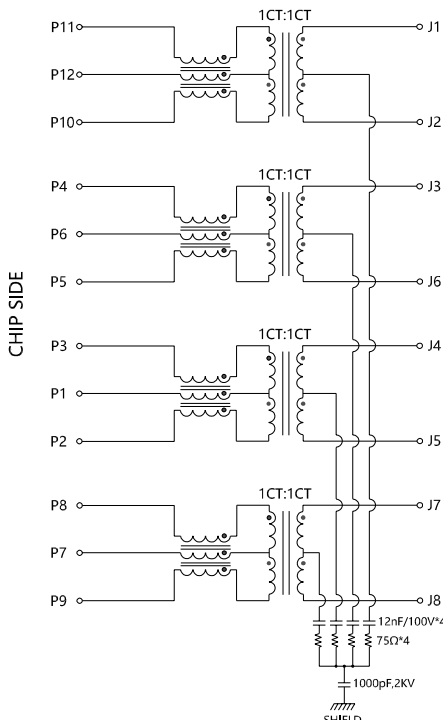


Electrical Schematics

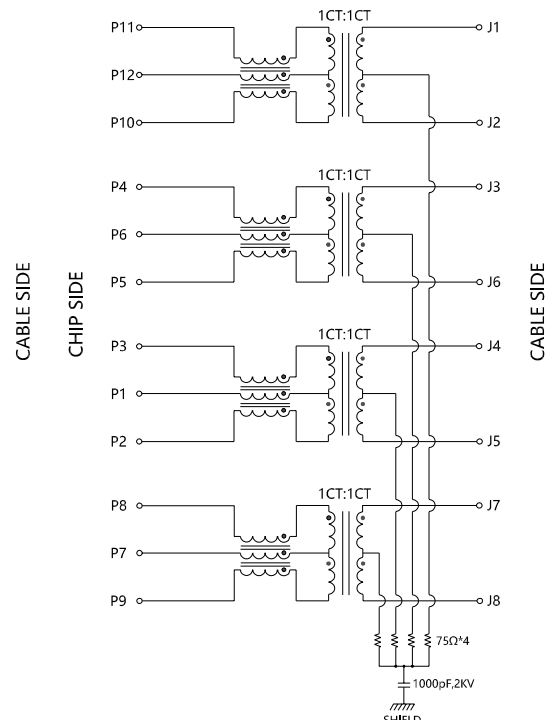
RXXxxxxG19



RXXxxxxG40

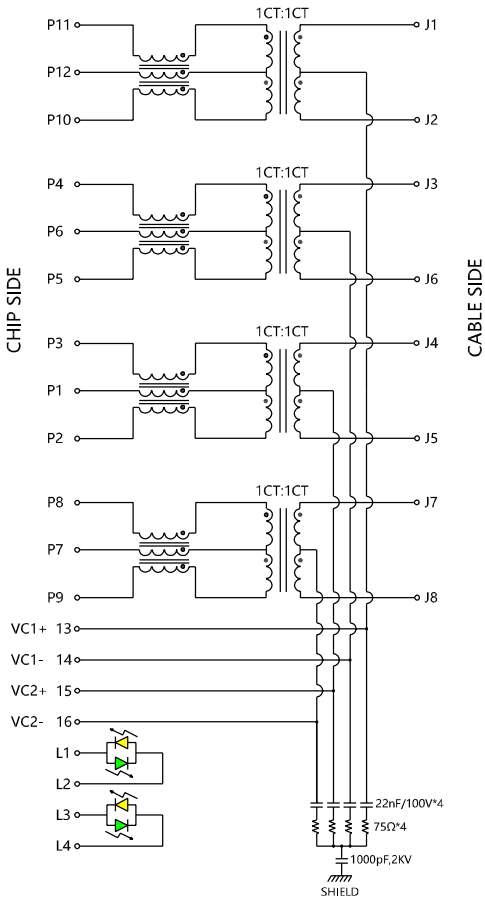


RXXxxxxG15

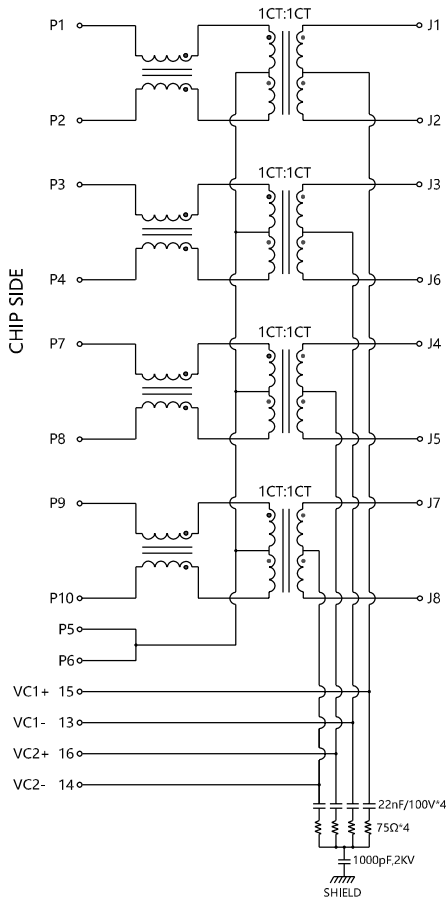


Electrical Schematics

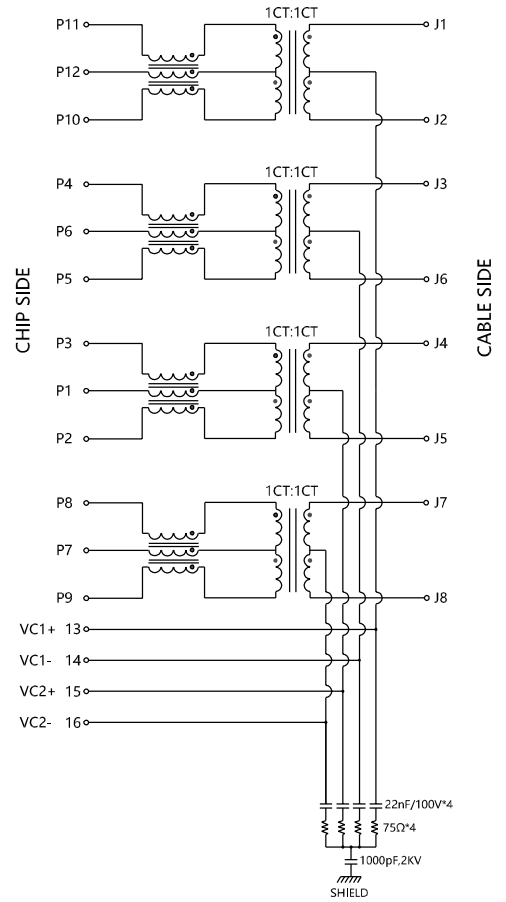
RXXxxxxPQ1



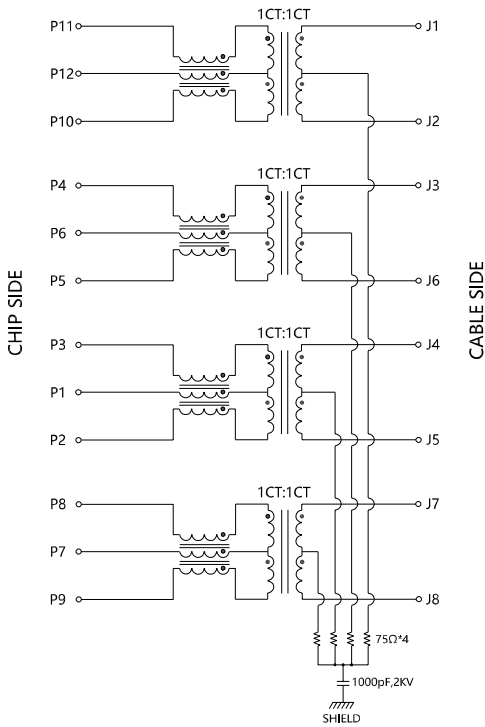
RXXxxxxPQ2



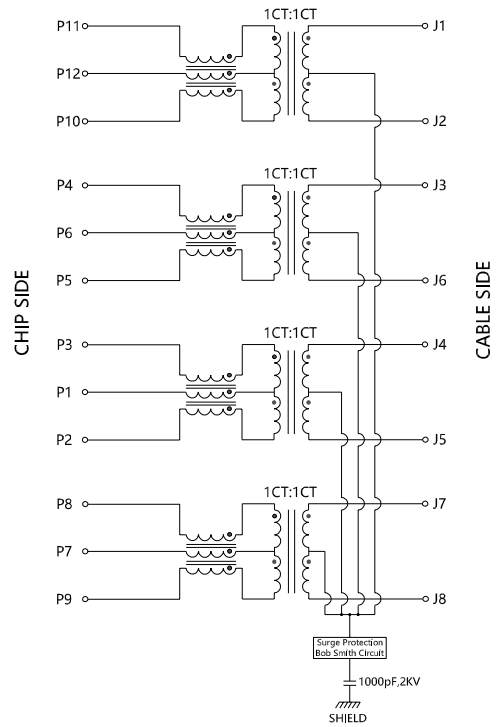
RXXxxxxPM1



RXXxxxxMD4

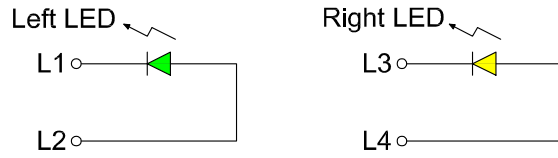


RXXxxxxSM1

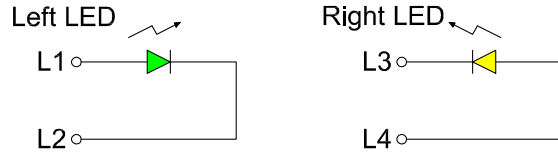


LED Configuration

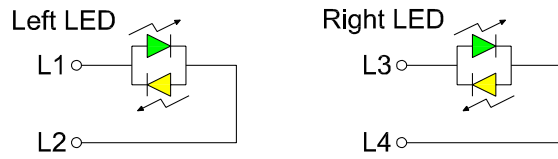
RXXxxx1



RXXxxx3



RXXxxxC





Features And Benefits:

RoHS Peak Wave Solder Temperature Rating 260°C
Suitable For CAT 5 & 6 Fast Ethernet Cable Or Better UTP

Electrical Performance Summary:

Compliant With IEEE 802.3 Standard
350 μ H Minimum OCL With 8mA Bias Current

RVA SERIES
TOP ENTRY ICMs

Electrical Specifications @ 25°C

Part Number	Speed	Mech. Drawing	EMI Fingers	LEDs (L/R)	Insertion Loss (dB Typ.)	Return Loss (dB Typ.)	Crosstalk (dB Typ.)	CMRR (dB Typ.)	PoE Rating
RVA2021H04GA	10/100	A	NO	G & Y	-1.0dB @1-100MHz	-10dB @1-100MHz	-30dB @1-100MHz	-30dB @1-100MHz	NON-PoE
RVA6020H04GA	10/100	B	NO	NO	-1.0dB @1-100MHz	-10dB @1-100MHz	-30dB @1-100MHz	-30dB @1-100MHz	NON-PoE
RVA1016G02GA	1G	A	NO	G/O & Y	-1.0dB @1-100MHz	-10dB @1-100MHz	-30dB @1-100MHz	-30dB @1-100MHz	NON-PoE
RVA2011G02GA	1G	A	NO	G & Y	-1.0dB @1-100MHz	-10dB @1-100MHz	-30dB @1-100MHz	-30dB @1-100MHz	NON-PoE
RVA2020G22GA	1G	A	NO	O/G & Y	-1.0dB @1-100MHz	-10dB @1-100MHz	-30dB @1-100MHz	-30dB @1-100MHz	NON-PoE
RVA2021H04GA	10/100	A	NO	G & Y	-1.0dB @1-100MHz	-10dB @1-100MHz	-30dB @1-100MHz	-30dB @1-100MHz	NON-PoE

NOTES:

1. LED Option Colors: G=Green Y=Yellow O=Orange A=Amber 2. Minimum 1500Vrms Isolation Per IEEE 802.3 Requirement

RJ45 Durability Testing Rating

Part Number	Mating Force (MAX)	Unmating Force (MAX)	Durability	Plug to Jack Retention(MIN)
RVA Series	5 lbs./2.268 kgs.	5 lbs./2.268 kgs.	750 Insertions	20 lbs./9.072 kgs.

RJ45 Material Specification

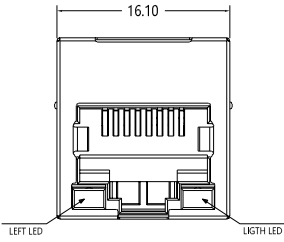
Part Number	Contact			Shield		Housing		MSL Rating
	Material	Plating Area	Solder Area	Material	Finish	Material	Specification	
RVA Series	Phosphor Bronze	Gold Flash-50 μ " Gold Over 30 μ " Min Nickel	100 μ " Min Tin On Solder Tail	Brass	30 μ " Min Nickel Over Brass	Thermoplastic	UL 94 V-0	1

NOTES:

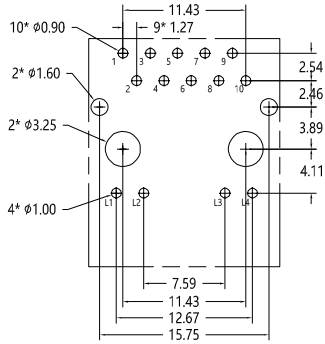
1. Connector Dimensions Comply With FCC Dimension Requirements 2. MSL - Moisture Sensitivity Level

Mechanical(Continued)

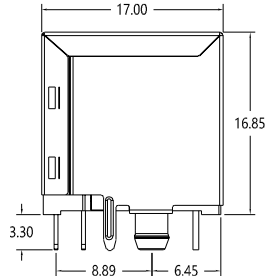
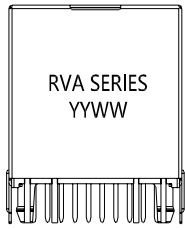
A Type



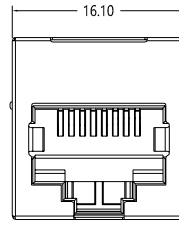
Dimensions:mm
Unless Otherwise Specified,
All Tolerances Are ± 0.25



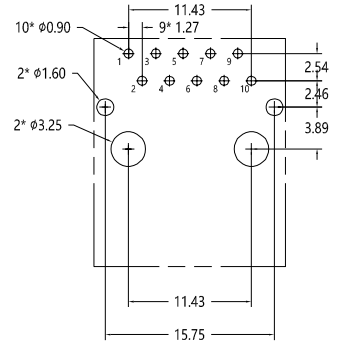
SUGGESTED PCB LAYOUT



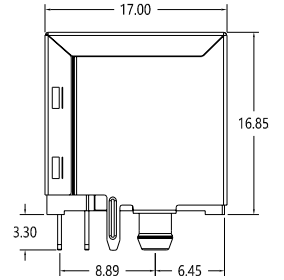
B Type



Dimensions:mm
Unless Otherwise Specified,
All Tolerances Are ± 0.25

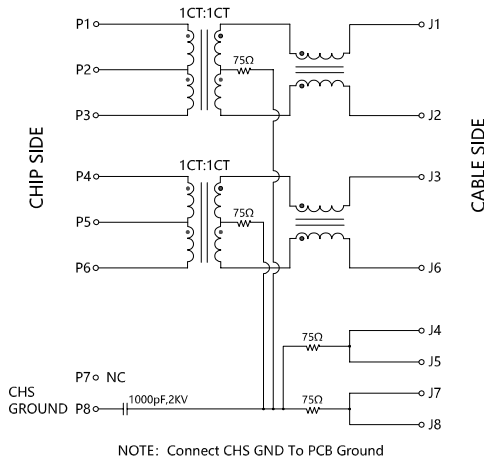


SUGGESTED PCB LAYOUT

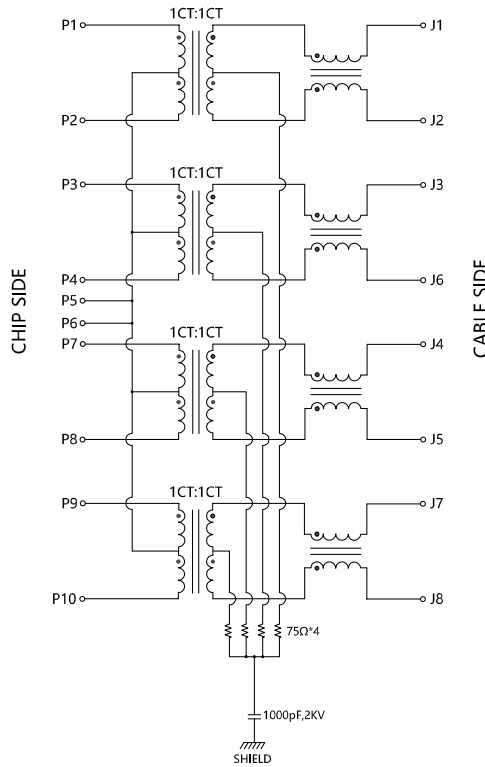


Electrical Schematics

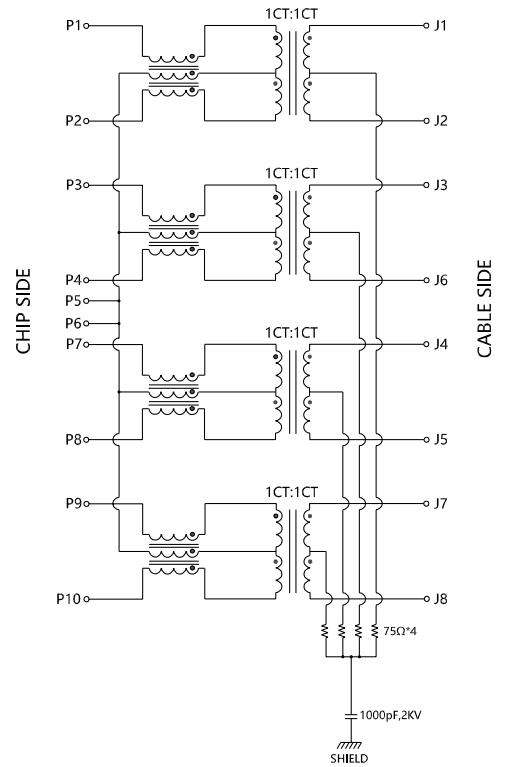
RXXxxxxH04



RXXxxxxG02

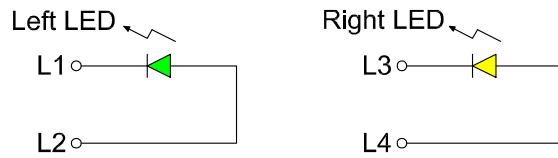


RXXxxxxG22

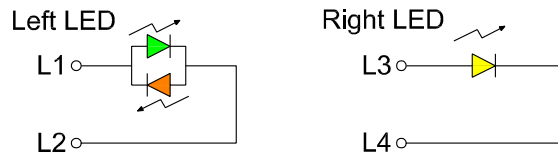


LED Configuration

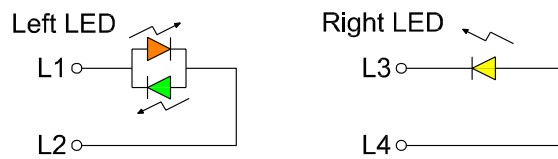
RXXxxx1



RAXxxx6



RAXxxxQ





RF2 SERIES

1*2 TAB-UP ICMs

Features And Benefits:

RoHS Peak Wave Solder Temperature Rating 260°C
Suitable For CAT 5 & 6 Fast Ethernet Cable Or Better UTP

Electrical Performance Summary:

Compliant With IEEE 802.3 Standard
350 μ H Minimum OCL With 8mA Bias Current

Part Number	Speed	Mech. Drawing	EMI Fingers	LEDs (L/R)	Insertion Loss (dB Typ.)	Return Loss (dB Typ.)	Crosstalk (dB Typ.)	CMRR (dB Typ.)	PoE Rating
RF2115SH04GA	10/100	A	YES	G & Y	-1.0dB @1-100MHz	-10dB @1-100MHz	-30dB @1-100MHz	-30dB @1-100MHz	NON-PoE
RF2110H02GA	10/100	B	YES	NO	-1.0dB @1-100MHz	-10dB @1-100MHz	-30dB @1-100MHz	-30dB @1-100MHz	NON-PoE
RF21010H02GA	10/100	C	NO	NO	-1.0dB @1-100MHz	-10dB @1-100MHz	-30dB @1-100MHz	-30dB @1-100MHz	NON-PoE
RF2115G02GA	1G	A	YES	G & Y	-1.0dB @1-100MHz	-10dB @1-100MHz	-30dB @1-100MHz	-30dB @1-100MHz	NON-PoE

NOTES:

1. LED Option Colors: G=Green Y=Yellow O=Orange A=Amber 2. Minimum 1500Vrms Isolation Per IEEE 802.3 Requirement

Part Number	Mating Force (MAX)	Unmating Force (MAX)	Durability	Plug to Jack Retention(MIN)
RF2 Series	5 lbs./2.268 kgs.	5 lbs./2.268 kgs.	750 Insertions	20 lbs./9.072 kgs.

RJ45 Material Specification

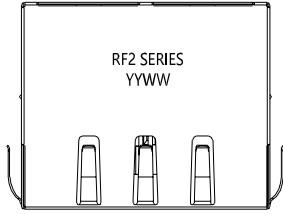
Part Number	Contact			Shield		Housing		MSL Rating
	Material	Plating Area	Solder Area	Material	Finish	Material	Specification	
RF2 Series	Phosphor Bronze	Gold Flash-50 μ " Glad Over 30 μ " Min Nickel	100 μ " Min Tin On Solder Tail	Brass	30 μ " Min Nickel Over Brass	Thermoplastic	UL 94 V-0	1

NOTES:

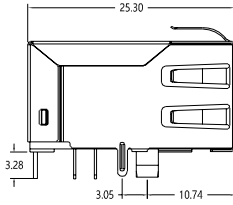
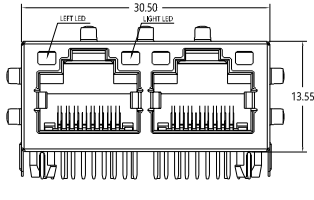
1. Connector Dimensions Comply With FCC Dimension Requirements 2. MSL - Moisture Sensitivity Level

Mechanical(Continued)

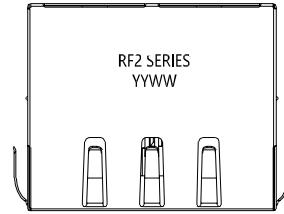
A Type



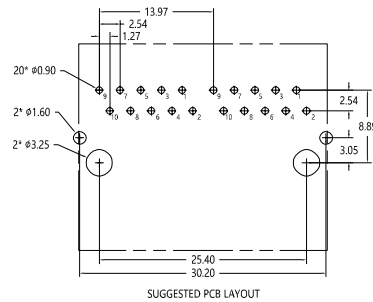
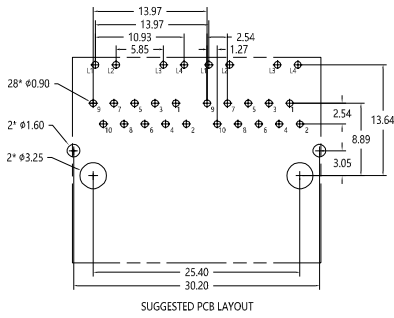
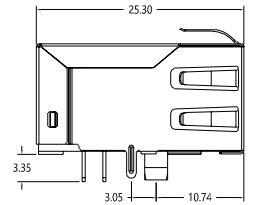
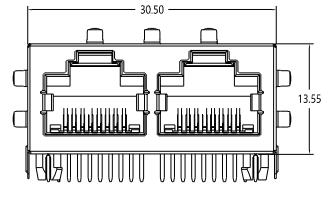
Dimensions:mm
Unless Otherwise Specified,
All Tolerances Are ±0.25



B Type



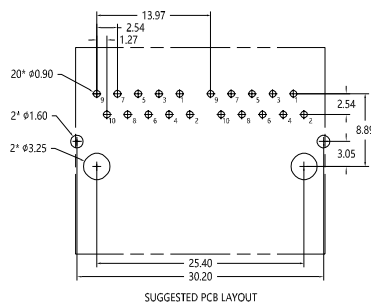
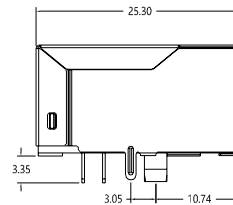
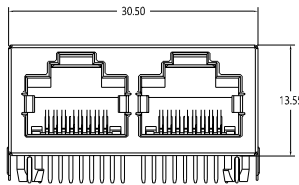
Dimensions:mm
Unless Otherwise Specified,
All Tolerances Are ±0.25



C Type

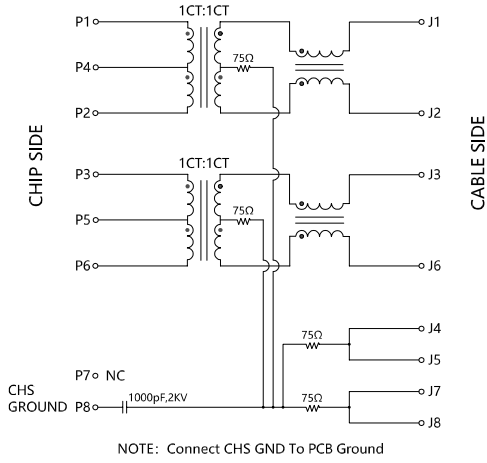


Dimensions:mm
Unless Otherwise Specified,
All Tolerances Are ±0.25

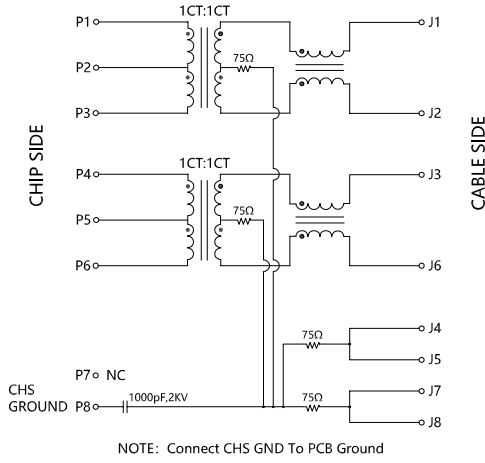


Electrical Schematics

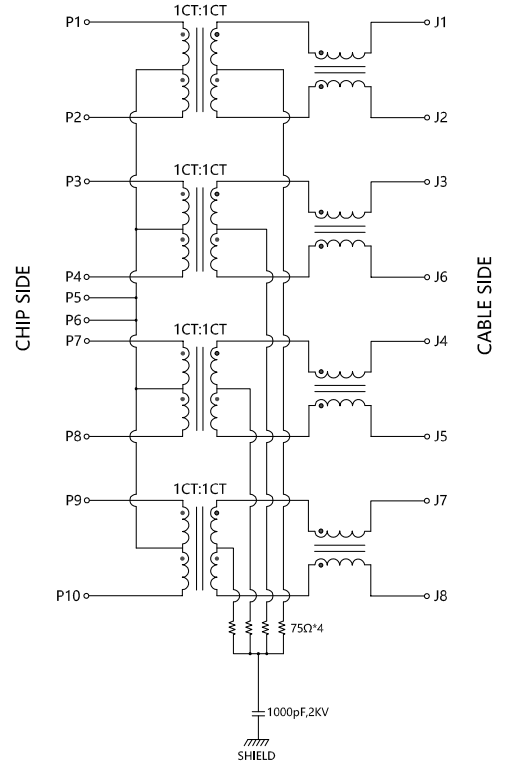
RXXxxxxH02



RXXxxxxH04

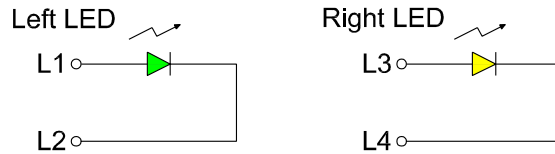


RXXxxxxG02



LED Configuration

RXXxxx5





RA2 SERIES

1*2 TAB-DOWN ICMs

Features And Benefits:

RoHS Peak Wave Solder Temperature Rating 260°C
Suitable For CAT 5 & 6 Fast Ethernet Cable Or Better UTP

Electrical Performance Summary:

Compliant With IEEE 802.3 Standard
350 μ H Minimum OCL With 8mA Bias Current

Electrical Specifications @ 25°C

Part Number	Speed	Mech. Drawing	EMI Fingers	LEDs (L/R)	Insertion Loss (dB Typ.)	Return Loss (dB Typ.)	Crosstalk (dB Typ.)	CMRR (dB Typ.)	PoE Rating
RA21621H02GA	10/100	A	YES	G & Y	-1.0dB @1-100MHz	-10dB @1-100MHz	-30dB @1-100MHz	-30dB @1-100MHz	NON-PoE
RA21620H02GA	10/100	B	YES	NO	-1.0dB @1-100MHz	-10dB @1-100MHz	-30dB @1-100MHz	-30dB @1-100MHz	NON-PoE
RA26020H14GA	10/100	C	NO	NO	-1.0dB @1-100MHz	-10dB @1-100MHz	-30dB @1-100MHz	-30dB @1-100MHz	NON-PoE
RA24121H02GA	10/100	A	YES	G/R&G	-1.0dB @1-100MHz	-10dB @1-100MHz	-30dB @1-100MHz	-30dB @1-100MHz	NON-PoE
RA24122H14GA	10/100	A	YES	Y & G	-1.0dB @1-100MHz	-10dB @1-100MHz	-30dB @1-100MHz	-30dB @1-100MHz	NON-PoE
RA21125G02GA	1G	A	YES	G & Y	-1.0dB @1-100MHz	-10dB @1-100MHz	-30dB @1-100MHz	-30dB @1-100MHz	NON-PoE
RA21125G22GA	1G	A	YES	G & Y	-1.0dB @1-100MHz	-10dB @1-100MHz	-30dB @1-100MHz	-30dB @1-100MHz	NON-PoE
RA26110G14GA	1G	B	YES	NO	-1.0dB @1-100MHz	-10dB @1-100MHz	-30dB @1-100MHz	-30dB @1-100MHz	NON-PoE
RA21620G02GA	1G	B	YES	NO	-1.0dB @1-100MHz	-10dB @1-100MHz	-30dB @1-100MHz	-30dB @1-100MHz	NON-PoE
RA25040G35GA	1G	C	NO	NO	-1.0dB @1-100MHz	-10dB @1-100MHz	-30dB @1-100MHz	-30dB @1-100MHz	NON-PoE

NOTES:

1. LED Option Colors: G=Green Y=Yellow O=Orange A=Amber 2. Minimum 1500Vrms Isolation Per IEEE 802.3 Requirement

RJ45 Durability Testing Rating

Part Number	Mating Force (MAX)	Unmating Force (MAX)	Durability	Plug to Jack Retention(MIN)
RA2 Series	5 lbs./2.268 kgs.	5 lbs./2.268 kgs.	750 Insertions	20 lbs./9.072 kgs.

RJ45 Material Specification

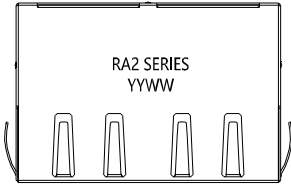
Part Number	Contact			Shield		Housing		MSL Rating
	Material	Plating Area	Solder Area	Material	Finish	Material	Specification	
RA2 Series	Phosphor Bronze	Gold Flash-50 μ " Glad Over 30 μ " Min Nickel	100 μ " Min Tin On Solder Tail	Brass	30 μ " Min Nickel Over Brass	Thermoplastic	UL 94 V-0	1

NOTES:

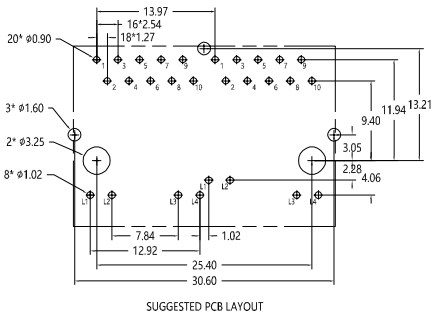
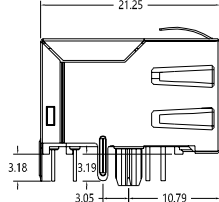
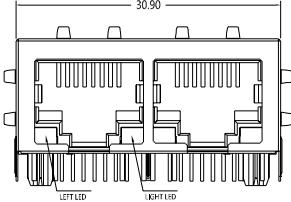
1. Connector Dimensions Comply With FCC Dimension Requirements 2. MSL - Moisture Sensitivity Level

Mechanical(Continued)

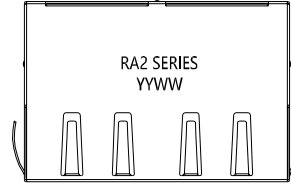
A Type



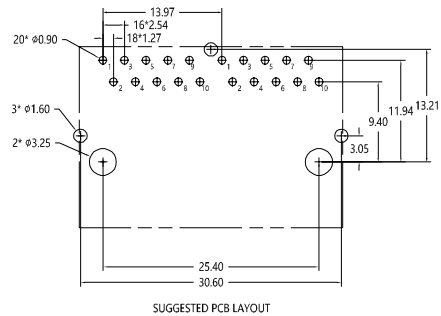
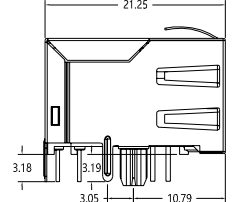
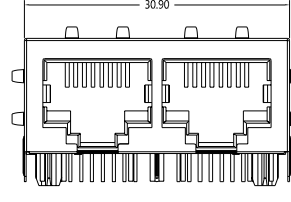
Dimensions:mm
Unless Otherwise Specified,
All Tolerances Are ±0.25



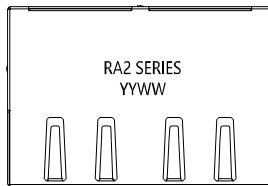
B Type



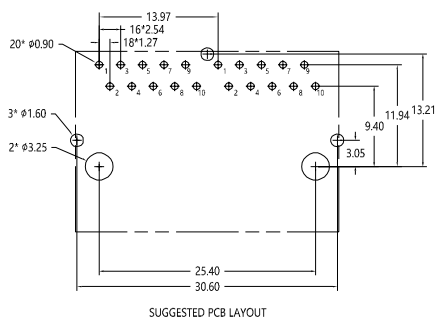
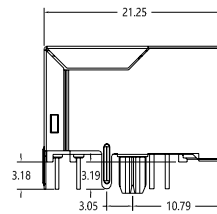
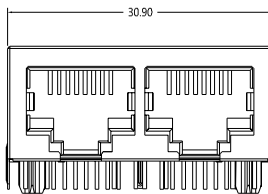
Dimensions:mm
Unless Otherwise Specified,
All Tolerances Are ±0.25



C Type

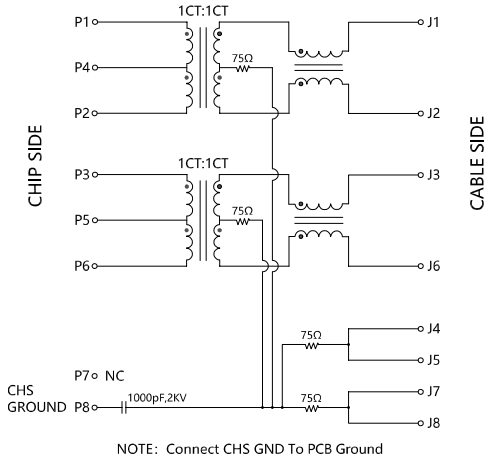


Dimensions:mm
Unless Otherwise Specified,
All Tolerances Are ±0.25

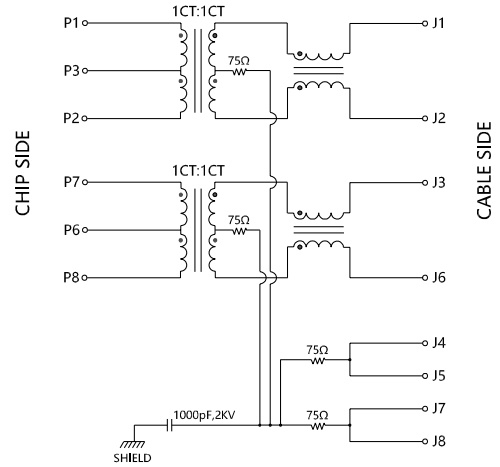


Electrical Schematics

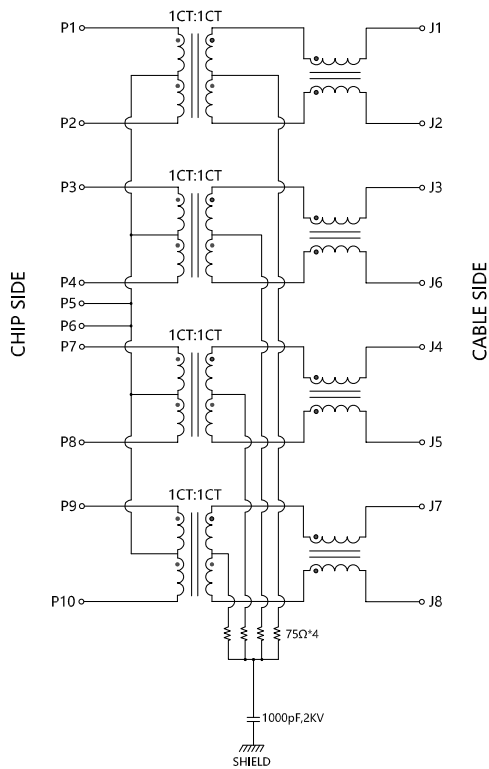
RXXxxxH02



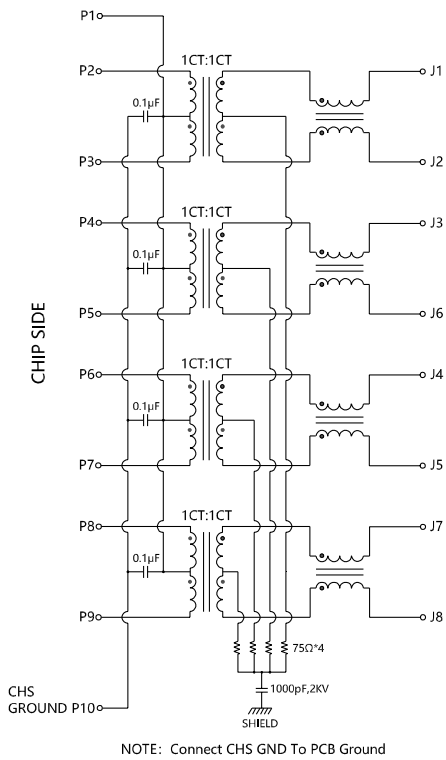
RXXxxxH14



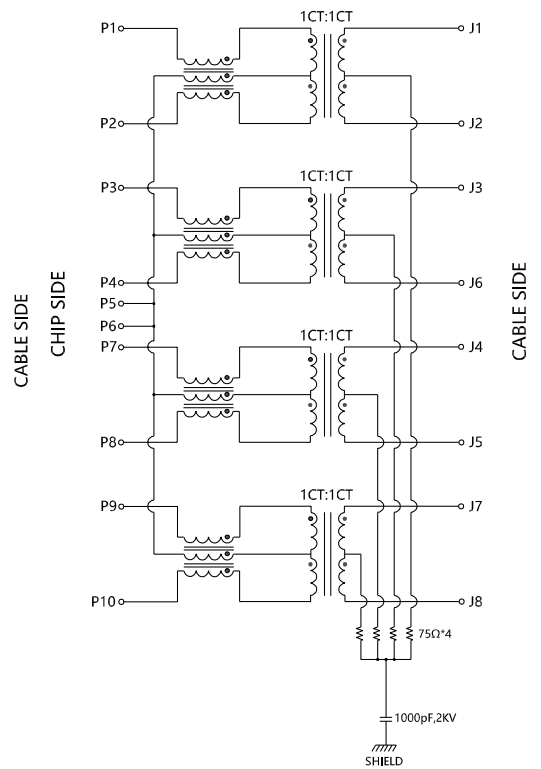
RXXxxxG02



RXXxxxG14

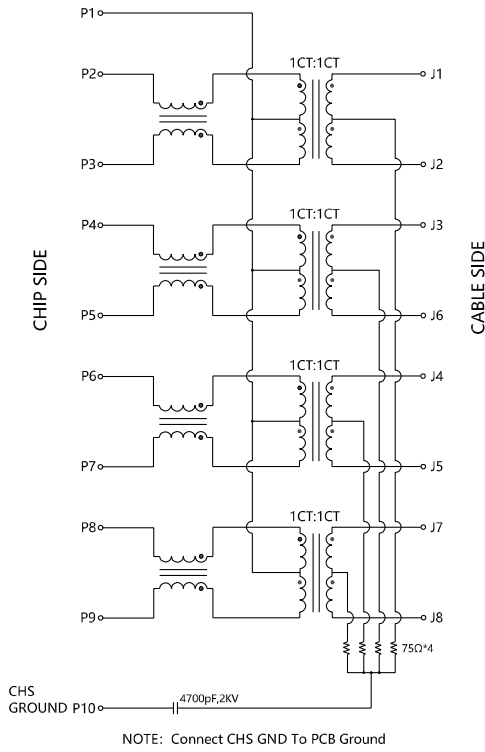


RXXxxxG22



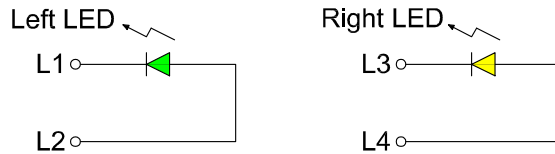
Electrical Schematics

RXXxxxG35

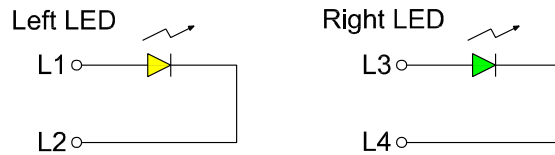


LED Configuration

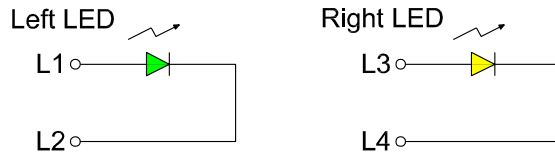
RXXxxx1



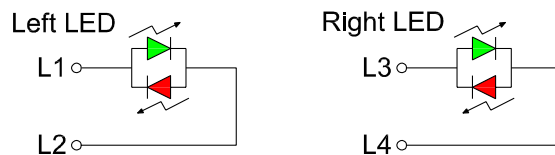
RXXxxx2



RXXxxx5



RXXxxx1





RA4 SERIES

1*4 TAB-DOWN ICMs

Features And Benefits:

RoHS Peak Wave Solder Temperature Rating 260°C
Suitable For CAT 5 & 6 Fast Ethernet Cable Or Better UTP

Electrical Performance Summary:

Compliant With IEEE 802.3 Standard
350 μ H Minimum OCL With 8mA Bias Current

Electrical Specifications @ 25°C

Part Number	Speed	Mech. Drawing	EMI Fingers	LEDs (L/R)	Insertion Loss (dB Typ.)	Return Loss (dB Typ.)	Crosstalk (dB Typ.)	CMRR (dB Typ.)	PoE Rating
RA46Q25H02GA	10/100	B	NO	G & Y	-1.0dB @1-100MHz	-10dB @1-100MHz	-30dB @1-100MHz	-30dB @1-100MHz	NON-PoE
RA41I25H27GA	10/100	A	YES	G & Y	-1.0dB @1-100MHz	-10dB @1-100MHz	-30dB @1-100MHz	-30dB @1-100MHz	NON-PoE
RA46I20G51GA	1G	C	YES	NO	-1.0dB @1-100MHz	-10dB @1-100MHz	-30dB @1-100MHz	-30dB @1-100MHz	NON-PoE
RA41I2NG02GA	1G	A	YES	Y & G/Y	-1.0dB @1-100MHz	-10dB @1-100MHz	-30dB @1-100MHz	-30dB @1-100MHz	NON-PoE
RA46I20G44GA	1G	C	YES	NO	-1.0dB @1-100MHz	-10dB @1-100MHz	-30dB @1-100MHz	-30dB @1-100MHz	NON-PoE
RA41I24G39GA	1G	A	YES	G & Y	-1.0dB @1-100MHz	-10dB @1-100MHz	-30dB @1-100MHz	-30dB @1-100MHz	NON-PoE
RA41I15Q02GA	2.5/5G	A	YES	G & Y	-2.0dB @1-250MHz	-8.0dB @1-250MHz	-30dB @1-250MHz	-30dB @1-250MHz	NON-PoE
RA41I15PG4GA	1G	A	YES	G & Y	-1.0dB @1-100MHz	-10dB @1-100MHz	-30dB @1-100MHz	-30dB @1-100MHz	2PPoE 30W

NOTES:

1. LED Option Colors: G=Green Y=Yellow O=Orange A=Amber 2. Minimum 1500Vrms Isolation Per IEEE 802.3 Requirement

RJ45 Durability Testing Rating

Part Number	Mating Force (MAX)	Unmating Force (MAX)	Durability	Plug to Jack Retention(MIN)
RA4 Series	5 lbs./2.268 kgs.	5 lbs./2.268 kgs.	750 Insertions	20 lbs./9.072 kgs.

RJ45 Material Specification

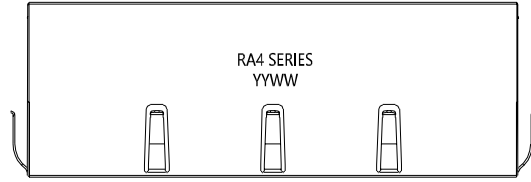
Part Number	Contact			Shield		Housing		MSL Rating
	Material	Plating Area	Solder Area	Material	Finish	Material	Specification	
RA4 Series	Phosphor Bronze	Gold Flash-50 μ " Glad Over 30 μ " Min Nickel	100 μ " Min Tin On Solder Tail	Brass	30 μ " Min Nickel Over Brass	Thermoplastic	UL 94 V-0	I

NOTES:

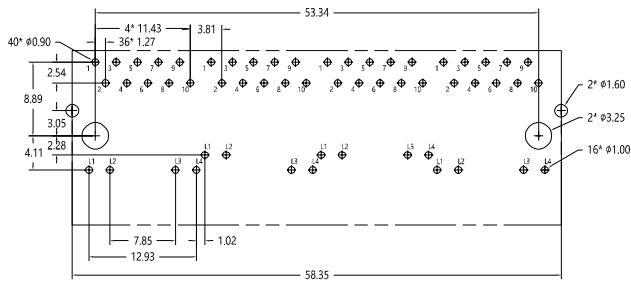
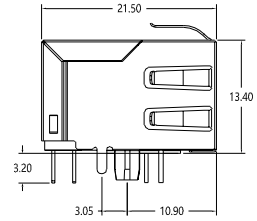
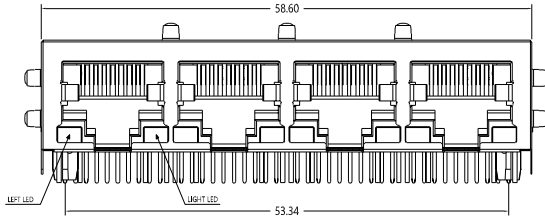
1. Connector Dimensions Comply With FCC Dimension Requirements 2. MSL - Moisture Sensitivity Level

Mechanical(Continued)

A Type

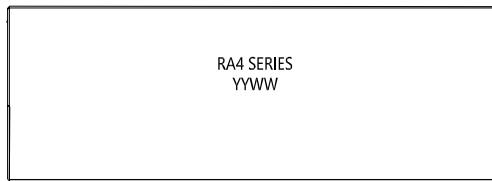


Dimensions:mm
Unless Otherwise Specified, All Tolerances Are ±0.25

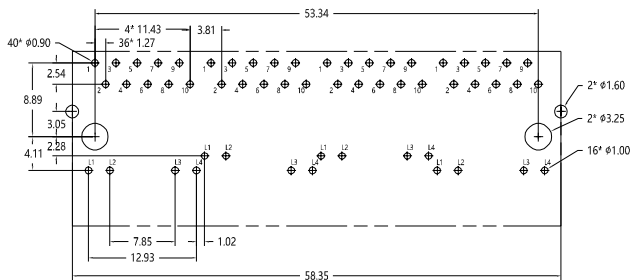
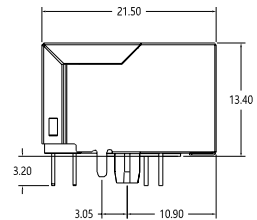
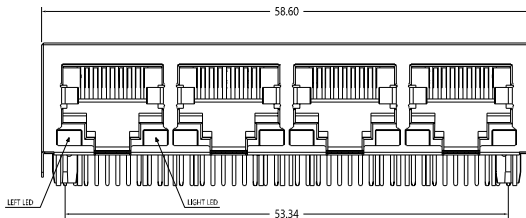


SUGGESTED PCB LAYOUT

B Type



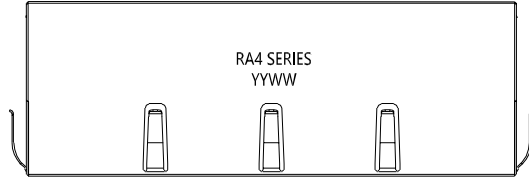
Dimensions:mm
Unless Otherwise Specified, All Tolerances Are ±0.25



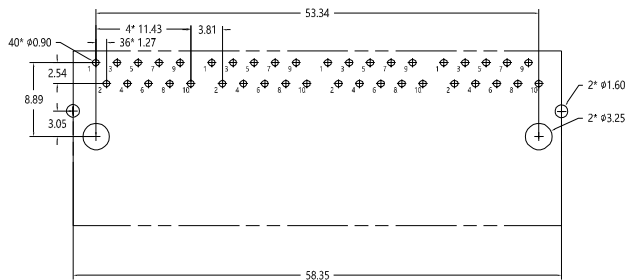
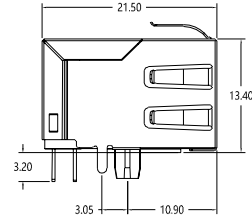
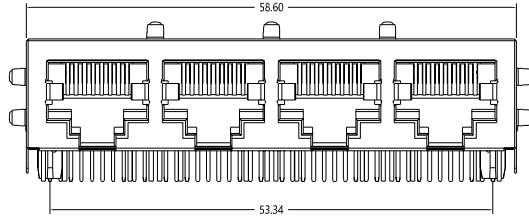
SUGGESTED PCB LAYOUT

Mechanical(Continued)

C Type



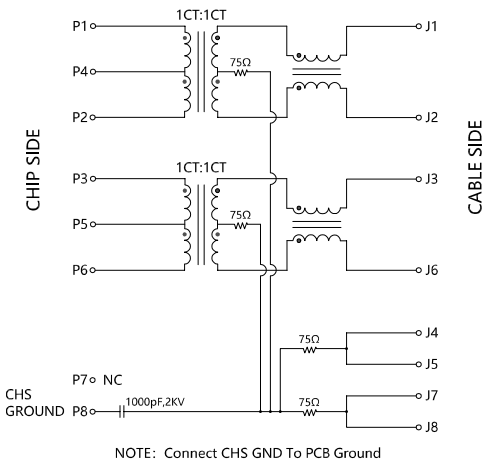
Dimensions:mm
Unless Otherwise Specified, All Tolerances Are ± 0.25



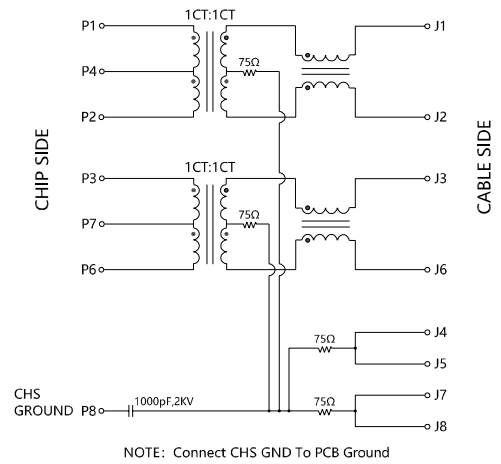
SUGGESTED PCB LAYOUT

Electrical Schematics

RXXxxxxH02

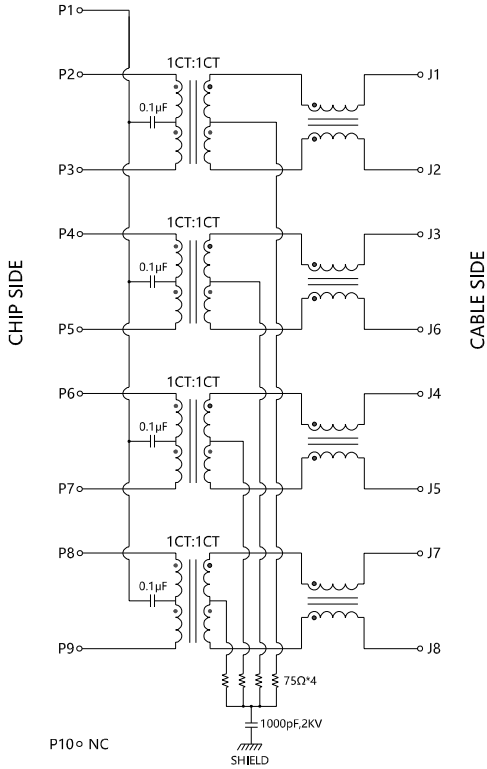


RXXxxxxH27

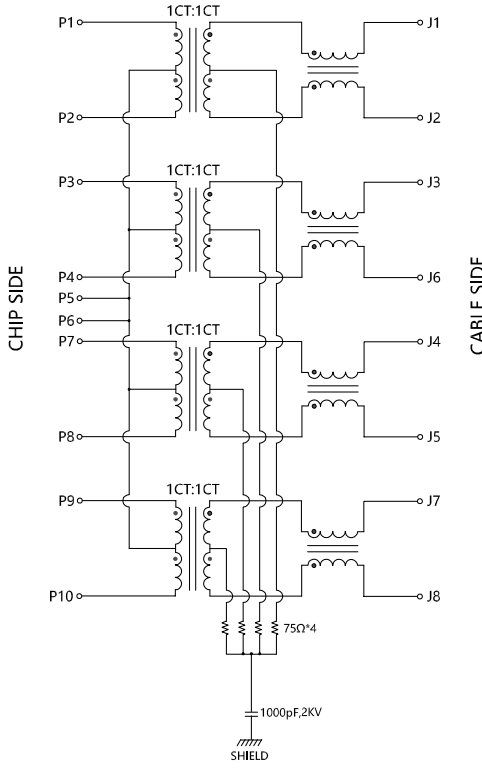


Electrical Schematics

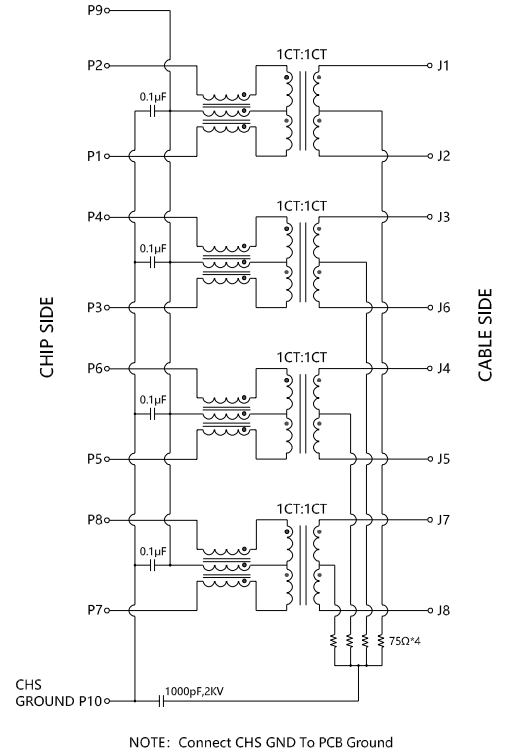
RXXxxxxG51



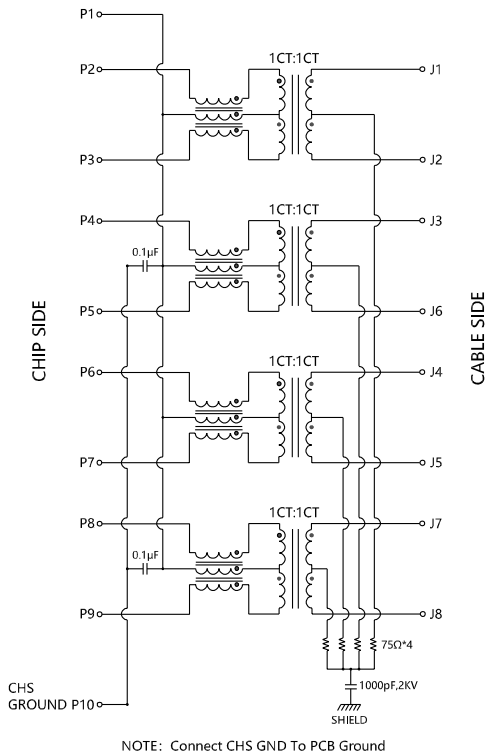
RXXxxxxG02



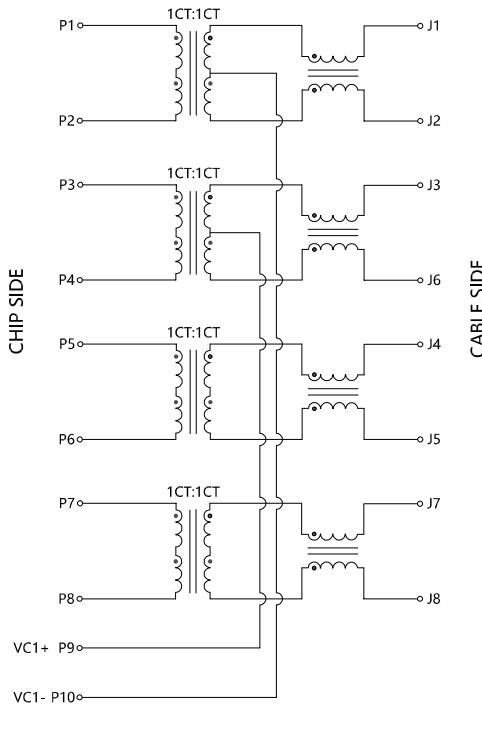
RXXxxxxG44



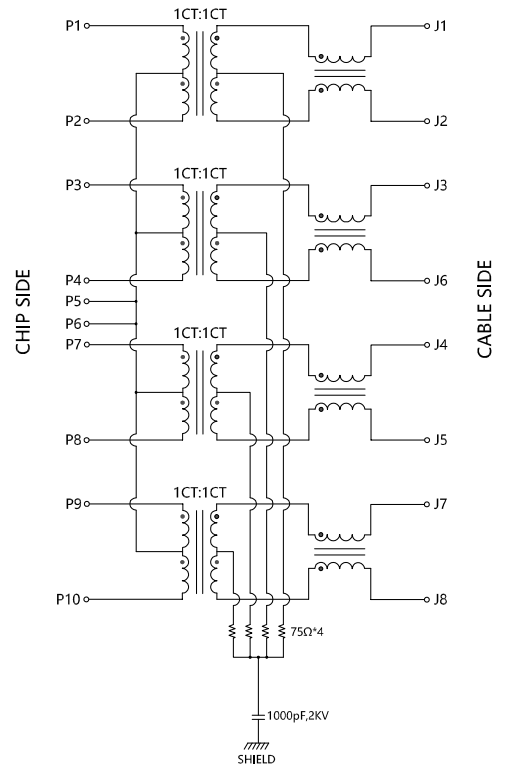
RXXxxxxG39



RXXxxxxPG4

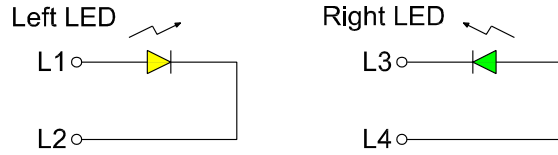


RXXxxxxQ02

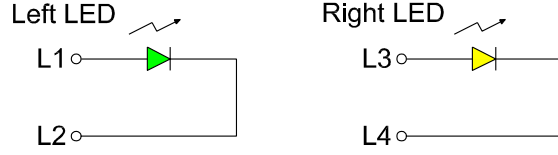


LED Configuration

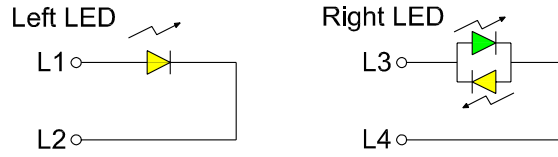
RXXxxx4



RXXxxx5



RXXxxxN





RM1 SERIES

2*1 TAB-BOTH ICMs

Features And Benefits:

RoHS Peak Wave Solder Temperature Rating 260°C
Suitable For CAT 5 & 6 Fast Ethernet Cable Or Better UTP

Electrical Performance Summary:

Compliant With IEEE 802.3 Standard
350 μ H Minimum OCL With 8mA Bias Current

Electrical Specifications @ 25°C

Part Number	Speed	Mech. Drawing	EMI Fingers	LEDs (L/R)	Insertion Loss (dB Typ.)	Return Loss (dB Typ.)	Crosstalk (dB Typ.)	CMRR (dB Typ.)	PoE Rating
RM11015H04GA	10/100	B	NO	G & Y	-1.0dB @1-100MHz	-10dB @1-100MHz	-30dB @1-100MHz	-30dB @1-100MHz	NON-PoE
RM11115H04GA	10/100	A	YES	G & Y	-1.0dB @1-100MHz	-10dB @1-100MHz	-30dB @1-100MHz	-30dB @1-100MHz	NON-PoE
RM11118H04GA	10/100	A	YES	G & G/Y	-1.0dB @1-100MHz	-10dB @1-100MHz	-30dB @1-100MHz	-30dB @1-100MHz	NON-PoE
RM11115H02GA	10/100	A	YES	G & Y	-1.0dB @1-100MHz	-10dB @1-100MHz	-30dB @1-100MHz	-30dB @1-100MHz	NON-PoE
RM1111MG38GD	1G	A	YES	Y & G/D	-1.0dB @1-100MHz	-10dB @1-100MHz	-30dB @1-100MHz	-30dB @1-100MHz	NON-PoE
RM1111OG10GA	1G	C	YES	NO	-1.0dB @1-100MHz	-10dB @1-100MHz	-30dB @1-100MHz	-30dB @1-100MHz	NON-PoE
RM1111XQ27GD	2.5/5G	A	YES	G & D/G	-2.0dB @1-250MHz	-8.0dB @1-250MHz	-30dB @1-250MHz	-30dB @1-250MHz	NON-PoE
RM1111OQ10GA	2.5/5G	C	YES	NO	-2.0dB @1-250MHz	-8.0dB @1-250MHz	-30dB @1-250MHz	-30dB @1-250MHz	NON-PoE
RM1111OM08GA	10G	C	YES	NO	-3.0dB @1-500MHz	-8.0dB @1-500MHz	-25dB @1-500MHz	-25dB @1-500MHz	NON-PoE

NOTES:

1. LED Option Colors: G=Green Y=Yellow O=Orange A=Amber 2. Minimum 1500Vrms Isolation Per IEEE 802.3 Requirement

RJ45 Durability Testing Rating

Part Number	Mating Force (MAX)	Unmating Force (MAX)	Durability	Plug to Jack Retention(MIN)
RM1 Series	5 lbs./2.268 kgs.	5 lbs./2.268 kgs.	750 Insertions	20 lbs./9.072 kgs.

RJ45 Material Specification

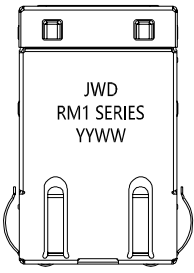
Part Number	Contact			Shield		Housing		MSL Rating
	Material	Plating Area	Solder Area	Material	Finish	Material	Specification	
RM1 Series	Phosphor Bronze	Gold Flash-50 μ " Glad Over 30 μ " Min Nickel	100 μ " Min Tin On Solder Tail	Brass	30 μ " Min Nickel Over Brass	Thermoplastic	UL 94 V-0	1

NOTES:

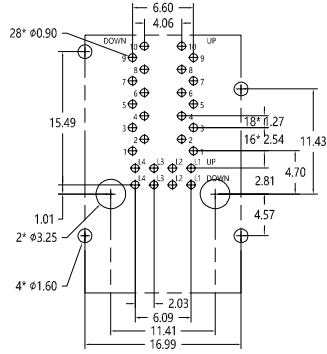
1. Connector Dimensions Comply With FCC Dimension Requirements 2. MSL - Moisture Sensitivity Level

Mechanical(Continued)

A Type

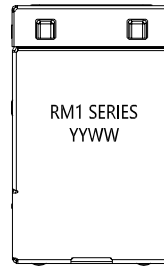


Dimensions:mm
Unless Otherwise Specified,
All Tolerances Are ± 0.25

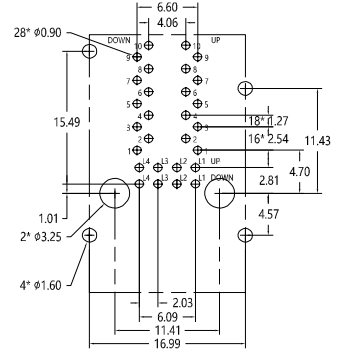


SUGGESTED PCB LAYOUT

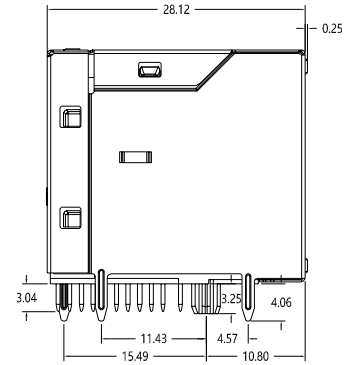
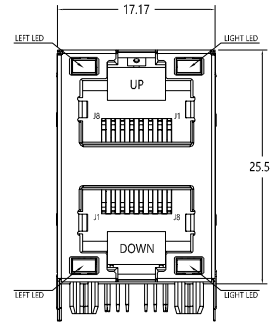
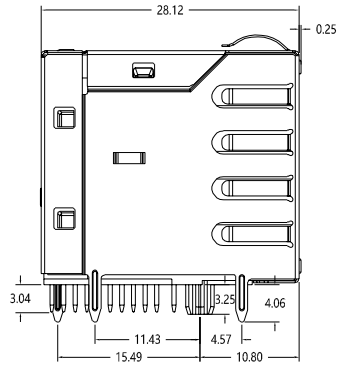
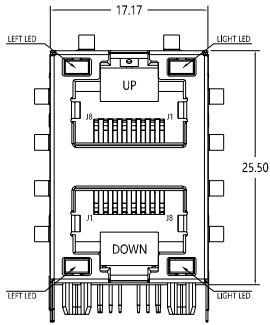
B Type



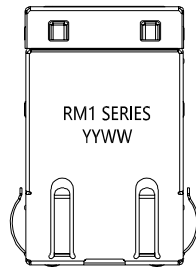
Dimensions:mm
Unless Otherwise Specified,
All Tolerances Are ± 0.25



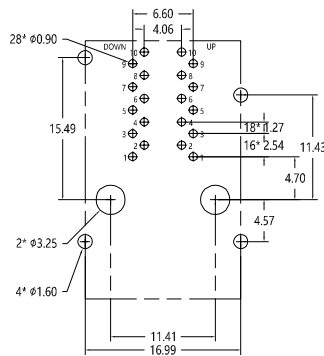
SUGGESTED PCB LAYOUT



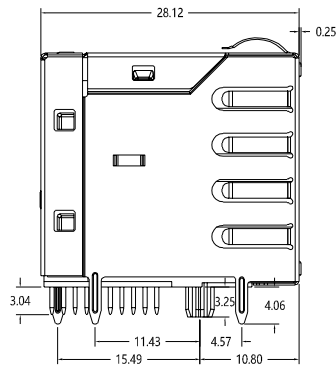
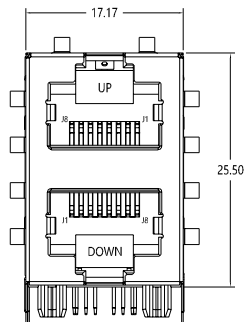
C Type



Dimensions:mm
Unless Otherwise Specified,
All Tolerances Are ± 0.25

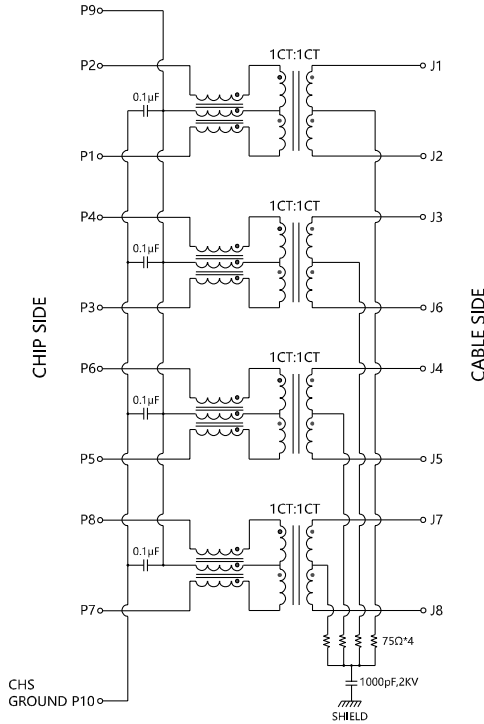


SUGGESTED PCB LAYOUT



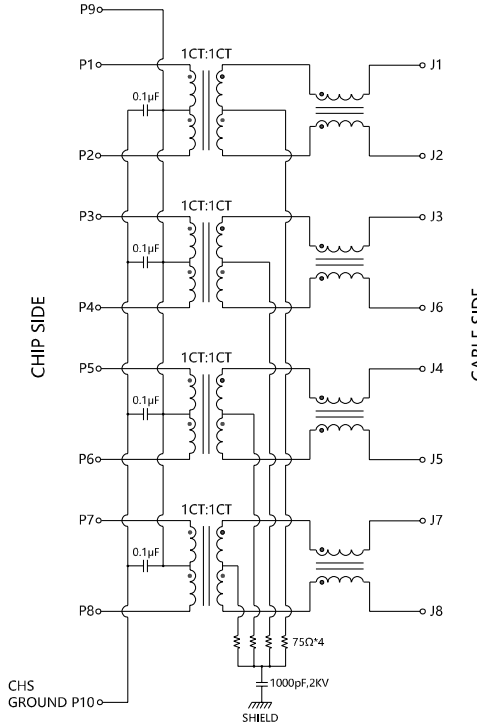
Electrical Schematics

RXXxxxxG38



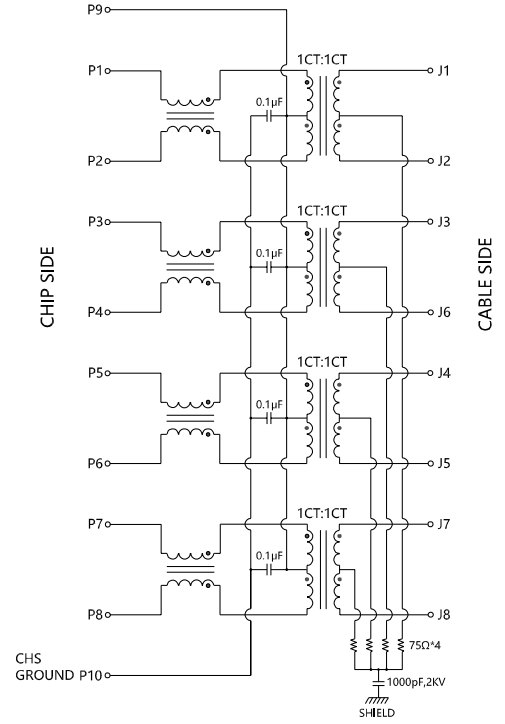
NOTE: Connect CHS GND To PCB Ground

RXXxxxxG10



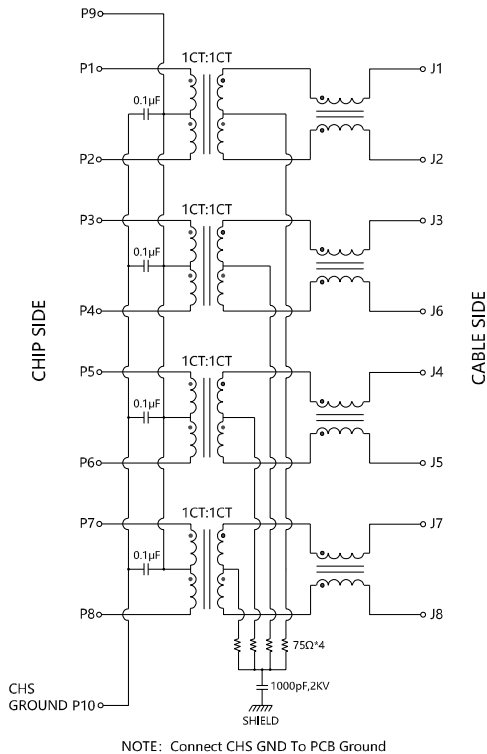
NOTE: Connect CHS GND To PCB Ground

RXXxxxxQ27



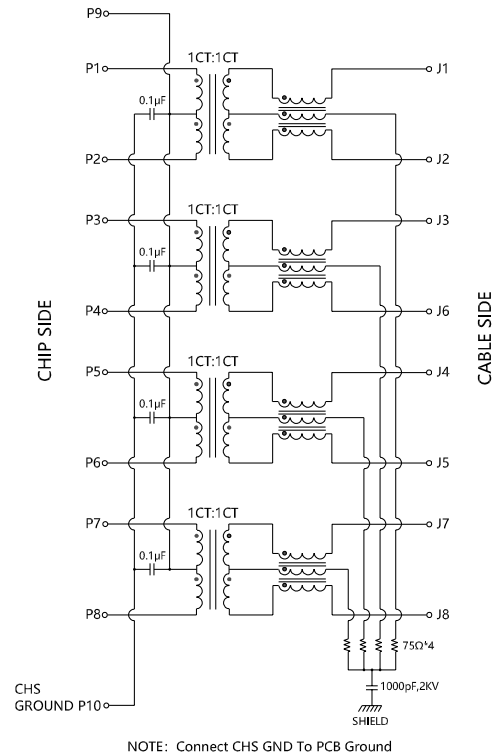
NOTE: Connect CHS GND To PCB Ground

RXXxxxxQ10



NOTE: Connect CHS GND To PCB Ground

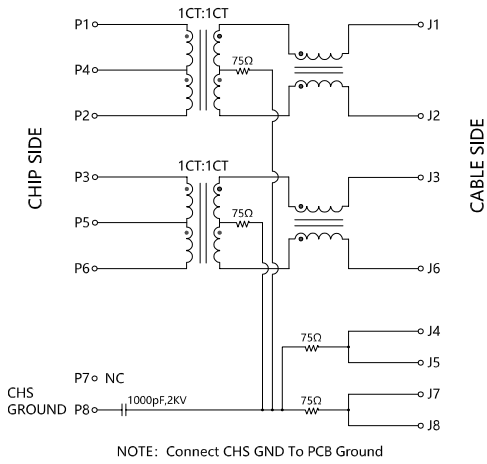
RXXxxxxM08



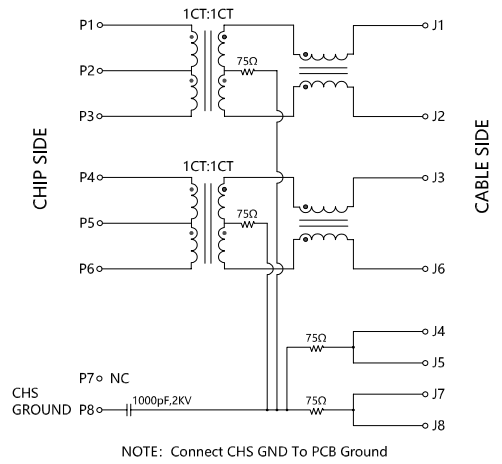
NOTE: Connect CHS GND To PCB Ground

Electrical Schematics

RXXxxxH02

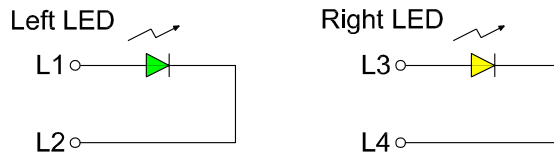


RXXxxxH04

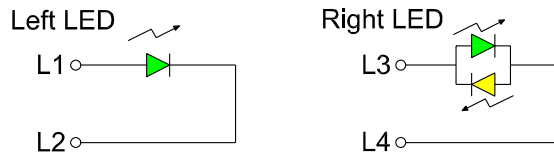


LED Configuration

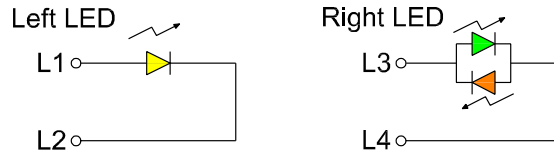
RXXxxx5



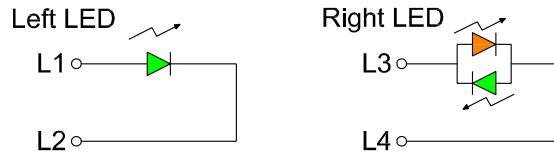
RXXxxx8



RXXxxxM



RXXxxxX





Features And Benefits:

RoHS Peak Wave Solder Temperature Rating 260°C
Suitable For CAT 5 & 6 Fast Ethernet Cable Or Better UTP

Electrical Performance Summary:

Compliant With IEEE 802.3 Standard
350 μ H Minimum OCL With 8mA Bias Current

RNI SERIES
2*1 TAB-BOTH ICMs

Electrical Specifications @ 25°C

Part Number	Speed	Mech. Drawing	EMI Fingers	LEDs (L/R)	Insertion Loss (dB Typ.)	Return Loss (dB Typ.)	Crosstalk (dB Typ.)	CMRR (dB Typ.)	PoE Rating
RNI1215PHFGA	10/100	A	YES	G & Y	-1.0dB @1-100MHz	-10dB @1-100MHz	-30dB @1-100MHz	-30dB @1-100MHz	4PPoE 30W
RNI1210PG3GD	1G	B	YES	NO	-1.0dB @1-100MHz	-10dB @1-100MHz	-30dB @1-100MHz	-30dB @1-100MHz	2PPoE 30W

NOTES:

1. LED Option Colors: G=Green Y=Yellow O=Orange A=Amber 2. Minimum 1500Vrms Isolation Per IEEE 802.3 Requirement

RJ45 Durability Testing Rating

Part Number	Mating Force (MAX)	Unmating Force (MAX)	Durability	Plug to Jack Retention(MIN)
RNI Series	5 lbs./2.268 kgs.	5 lbs./2.268 kgs.	750 Insertions	20 lbs./9.072 kgs.

RJ45 Material Specification

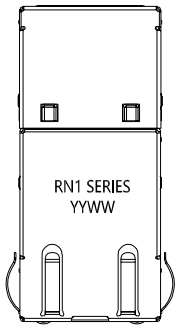
Part Number	Contact			Shield		Housing		MSL Rating
	Material	Plating Area	Solder Area	Material	Finish	Material	Specification	
RNI Series	Phosphor Bronze	Gold Flash-50 μ " Glad Over 30 μ " Min Nickel	100 μ " Min Tin On Solder Tail	Brass	30 μ " Min Nickel Over Brass	Thermoplastic	UL 94 V-0	1

NOTES:

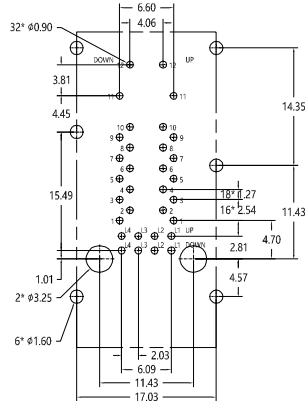
1. Connector Dimensions Comply With FCC Dimension Requirements 2. MSL - Moisture Sensitivity Level

Mechanical(Continued)

A Type

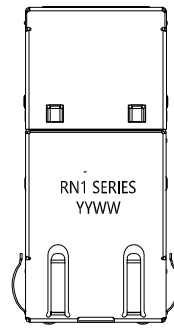


Dimensions:mm
Unless Otherwise Specified,
All Tolerances Are ±0.25

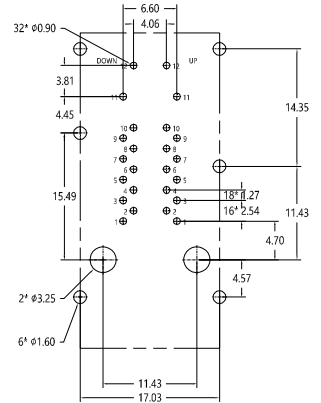


SUGGESTED PCB LAYOUT

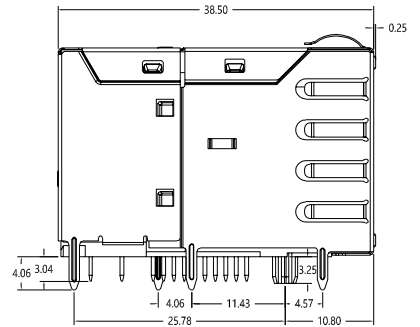
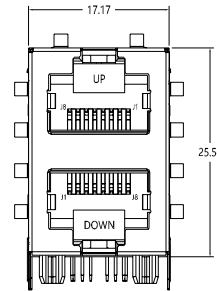
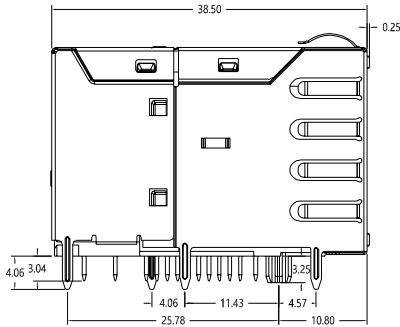
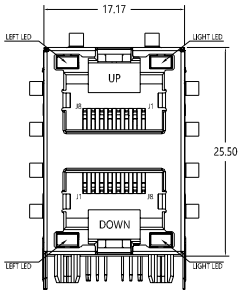
B Type



Dimensions:mm
Unless Otherwise Specified,
All Tolerances Are ±0.25

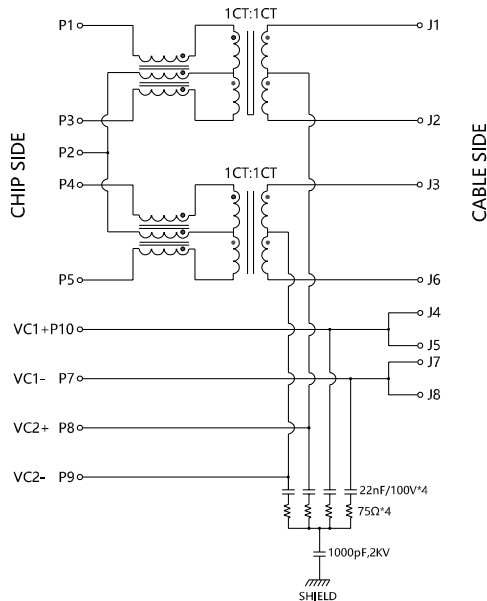


SUGGESTED PCB LAYOUT

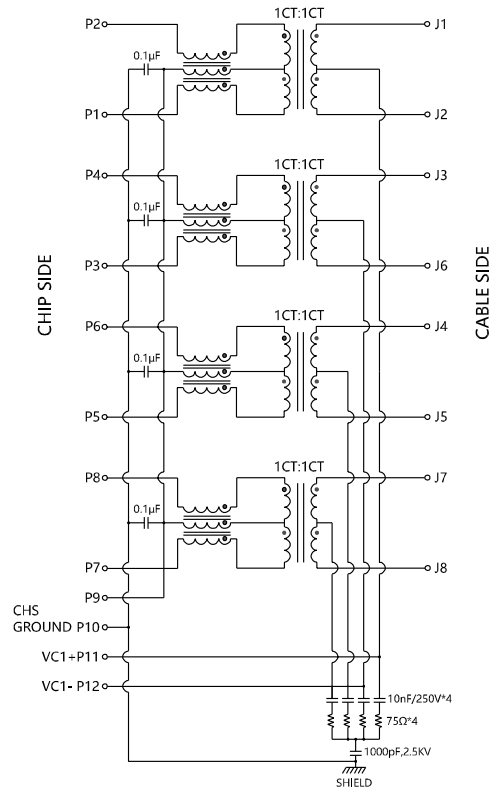


Electrical Schematics

RXXxxxPHF

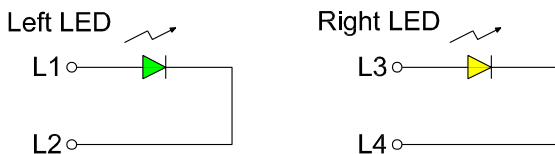


RXXxxxPG3



NOTE: Connect CHS GND To PCB Ground

RXXxxx5





RM2 SERIES

2*2 TAB-BOTH ICMs

Features And Benefits:

RoHS Peak Wave Solder Temperature Rating 260°C
Suitable For CAT 5 & 6 Fast Ethernet Cable Or Better UTP

Electrical Performance Summary:

Compliant With IEEE 802.3 Standard
350 μH Minimum OCL With 8mA Bias Current

Electrical Specifications @ 25°C

Part Number	Speed	Mech. Drawing	EMI Fingers	LEDs (L/R)	Insertion Loss (dB Typ.)	Return Loss (dB Typ.)	Crosstalk (dB Typ.)	CMRR (dB Typ.)	PoE Rating
RM2H10Q10GA	2.5/5G	B	YES	NO	-2.0dB @1-250MHz	-8.0dB @1-250MHz	-30dB @1-250MHz	-30dB @1-250MHz	NON-PoE
RM2H15G02GA	1G	A	YES	G & Y	-1.0dB @1-100MHz	-10dB @1-100MHz	-30dB @1-100MHz	-30dB @1-100MHz	NON-PoE
RM2H11H04GA	10/100	A	YES	G & Y	-1.0dB @1-100MHz	-10dB @1-100MHz	-30dB @1-100MHz	-30dB @1-100MHz	NON-PoE

NOTES:

1. LED Option Colors: G=Green Y=Yellow O=Orange A=Amber 2. Minimum 1500Vrms Isolation Per IEEE 802.3 Requirement

RJ45 Durability Testing Rating

Part Number	Mating Force (MAX)	Unmating Force (MAX)	Durability	Plug to Jack Retention(MIN)
RM2 Series	5 lbs./2.268 kgs.	5 lbs./2.268 kgs.	750 Insertions	20 lbs./9.072 kgs.

RJ45 Material Specification

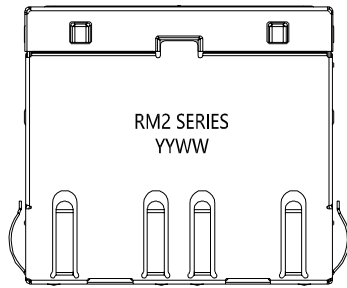
Part Number	Contact			Shield		Housing		MSL Rating
	Material	Plating Area	Solder Area	Material	Finish	Material	Specification	
RM2 Series	Phosphor Bronze	Gold Flash-50μ" Glad Over 30μ" Min Nickel	100μ" Min Tin On Solder Tail	Brass	30μ" Min Nickel Over Brass	Thermoplastic	UL 94 V-0	1

NOTES:

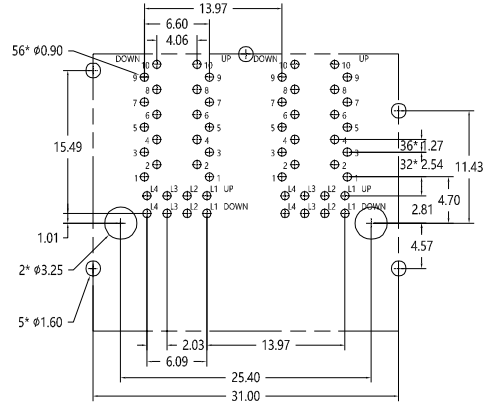
1. Connector Dimensions Comply With FCC Dimension Requirements 2. MSL - Moisture Sensitivity Level

Mechanical(Continued)

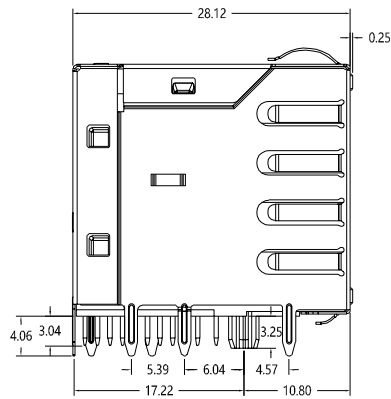
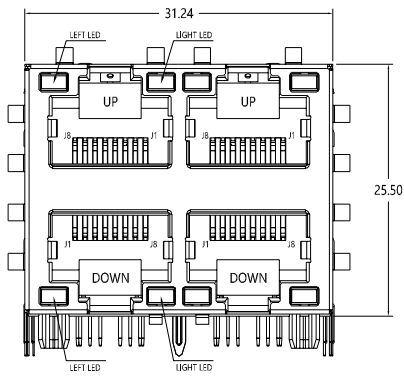
A Type



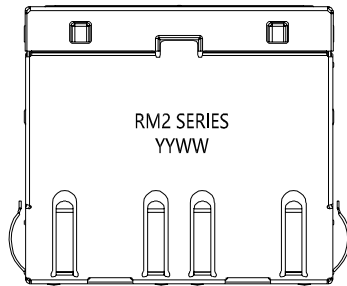
Dimensions:mm
Unless Otherwise Specified,
All Tolerances Are ± 0.25



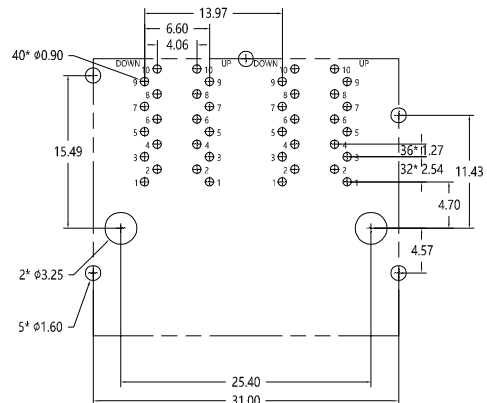
SUGGESTED PCB LAYOUT



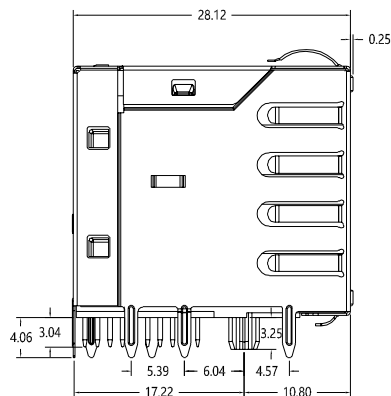
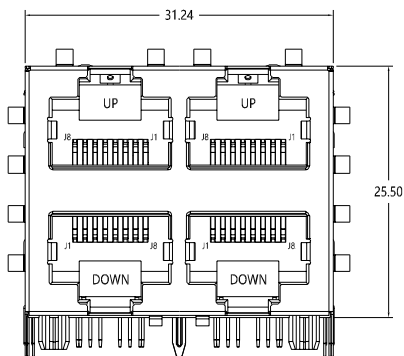
B Type



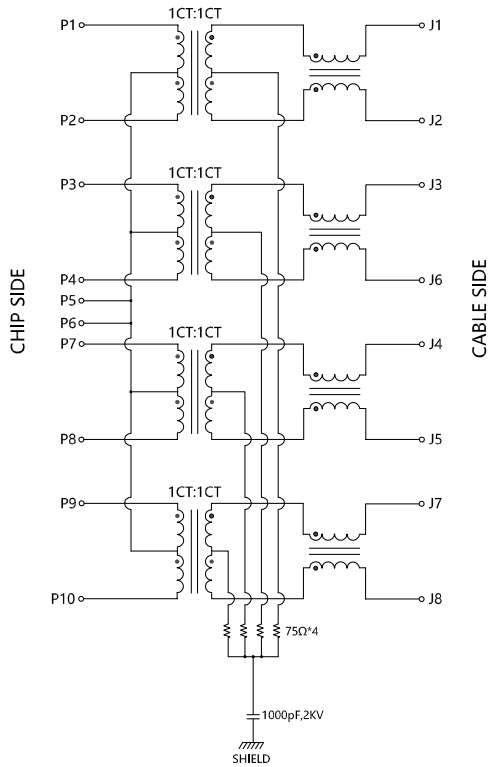
Dimensions:mm
Unless Otherwise Specified,
All Tolerances Are ± 0.25



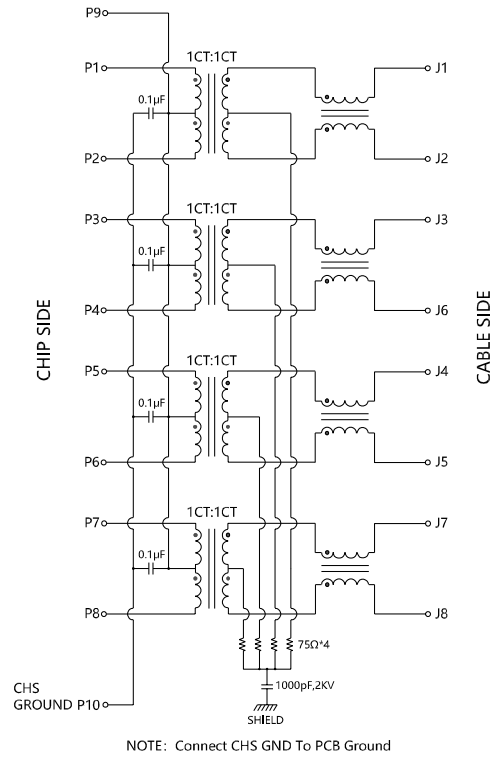
SUGGESTED PCB LAYOUT



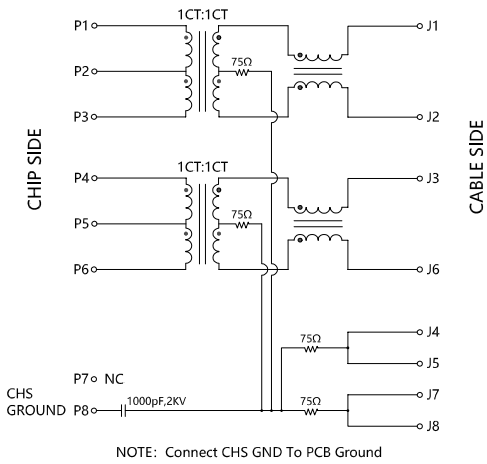
RXXxxxxQ10



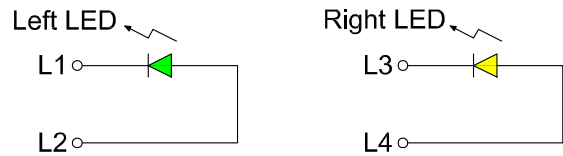
RXXxxxxG02



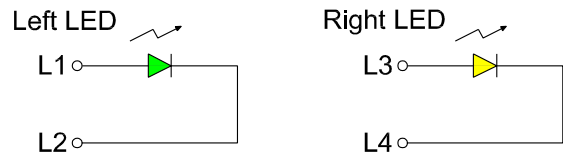
RXXxxxxH04



RXXxxx1



RXXxxx5





RN2 SERIES

2*2 TAB-BOTH ICMs

Features And Benefits:

RoHS Peak Wave Solder Temperature Rating 260°C
Suitable For CAT 5 & 6 Fast Ethernet Cable Or Better UTP

Electrical Performance Summary:

Compliant With IEEE 802.3 Standard
350 μ H Minimum OCL With 8mA Bias Current

Electrical Specifications @ 25°C

Part Number	Speed	Mech. Drawing	EMI Fingers	LEDs (L/R)	Insertion Loss (dB Typ.)	Return Loss (dB Typ.)	Crosstalk (dB Typ.)	CMRR (dB Typ.)	PoE Rating
RN2I2I5PG6GA	1G	B	YES	G & Y	-1.0dB @1-100MHz	-10dB @1-100MHz	-30dB @1-100MHz	-30dB @1-100MHz	2PPoE 30W
RN2I2I0PG3GD	1G	A	YES	NO	-1.0dB @1-100MHz	-10dB @1-100MHz	-30dB @1-100MHz	-30dB @1-100MHz	2PPoE 30W

NOTES:

1. LED Option Colors: G=Green Y=Yellow O=Orange A=Amber 2. Minimum 1500Vrms Isolation Per IEEE 802.3 Requirement

RJ45 Durability Testing Rating

Part Number	Mating Force (MAX)	Unmating Force (MAX)	Durability	Plug to Jack Retention(MIN)
RN2 Series	5 lbs./2.268 kgs.	5 lbs./2.268 kgs.	750 Insertions	20 lbs./9.072 kgs.

RJ45 Material Specification

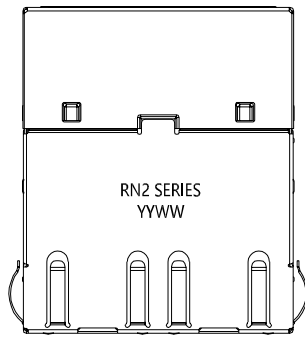
Part Number	Contact			Shield		Housing		MSL Rating
	Material	Plating Area	Solder Area	Material	Finish	Material	Specification	
RN2 Series	Phosphor Bronze	Gold Flash-50 μ " Glod Over 30 μ " Min Nickel	100 μ " Min Tin On Solder Tail	Brass	30 μ " Min Nickel Over Brass	Thermoplastic	UL 94 V-0	1

NOTES:

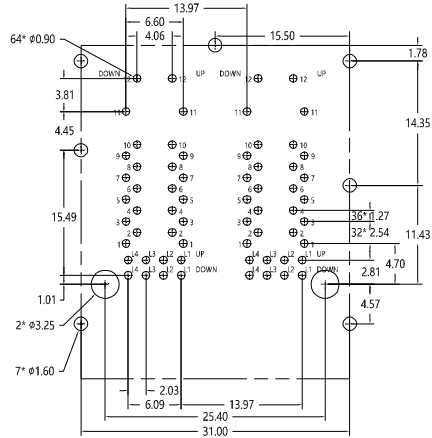
1. Connector Dimensions Comply With FCC Dimension Requirements 2. MSL - Moisture Sensitivity Level

Mechanical(Continued)

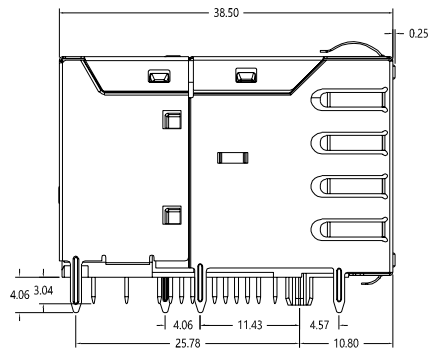
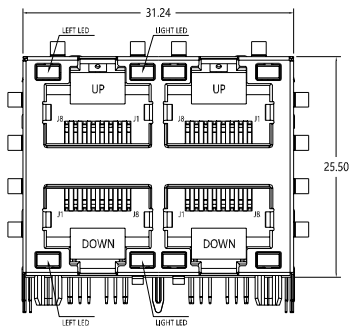
A Type



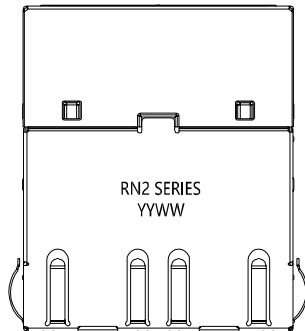
Dimensions:mm
Unless Otherwise Specified,
All Tolerances Are ± 0.25



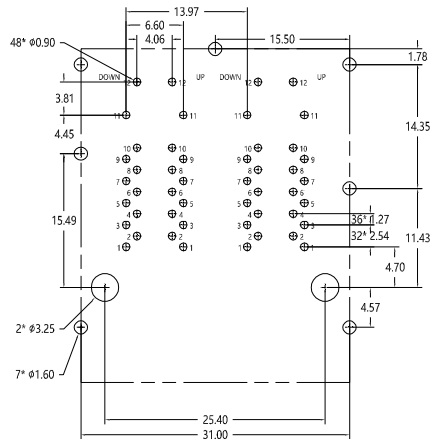
SUGGESTED PCB LAYOUT



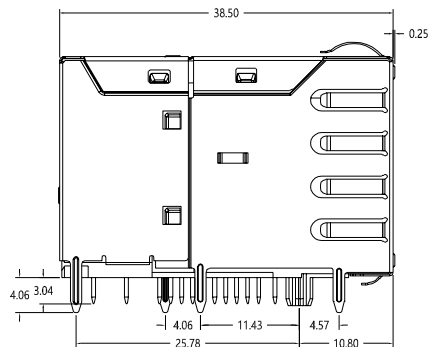
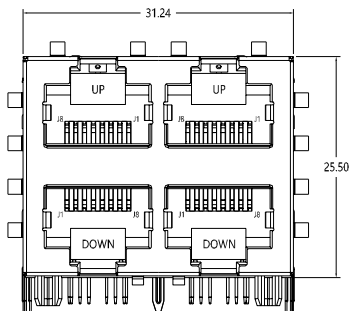
B Type



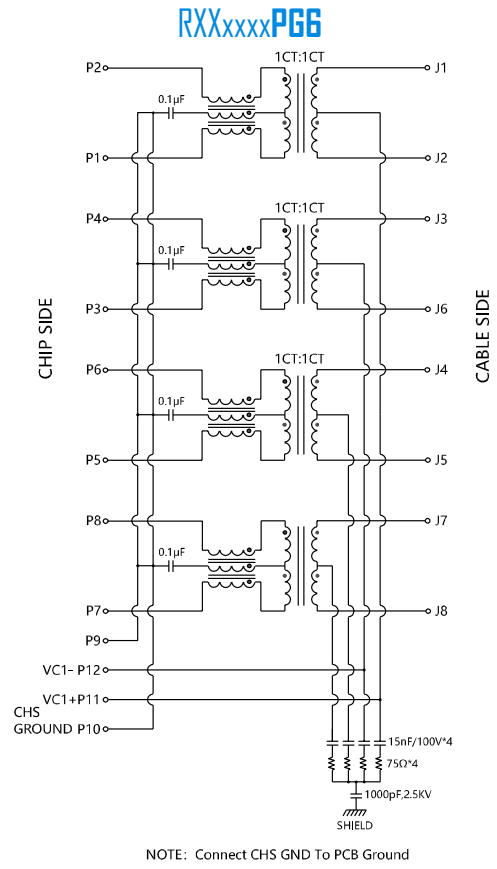
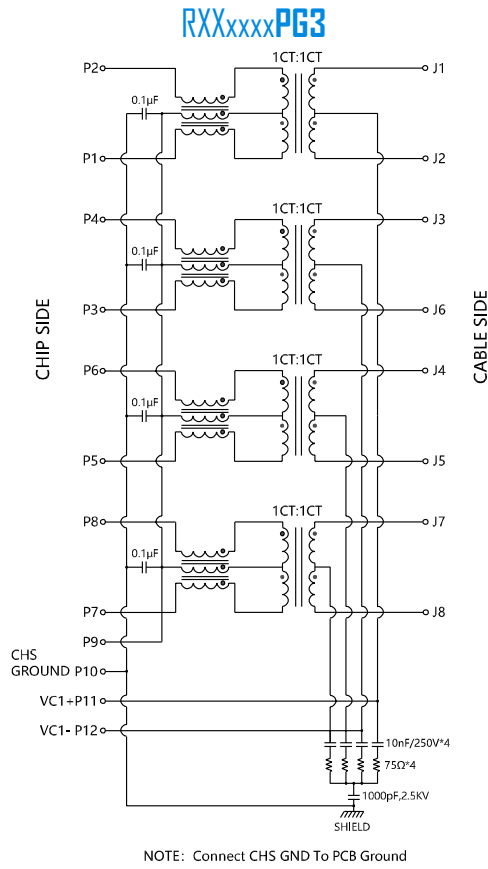
Dimensions:mm
Unless Otherwise Specified,
All Tolerances Are ± 0.25



SUGGESTED PCB LAYOUT

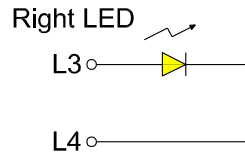
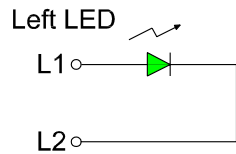


Electrical Schematics



LED Configuration

RXXxxx5





Features And Benefits:

RoHS Peak Wave Solder Temperature Rating 260°C
Suitable For CAT 5 & 6 Fast Ethernet Cable Or Better UTP

Electrical Performance Summary:

Compliant With IEEE 802.3 Standard
350 μH Minimum OCL With 8mA Bias Current

RM4 SERIES
2*4 TAB-BOTH ICMs

Electrical Specifications @ 25°C

Part Number	Speed	Mech. Drawing	EMI Fingers	LEDs (L/R)	Insertion Loss (dB Typ.)	Return Loss (dB Typ.)	Crosstalk (dB Typ.)	CMRR (dB Typ.)	PoE Rating
RM4I2I9G38GA	1G	A	YES	Y & G	-1.0dB @1-100MHz	-10dB @1-100MHz	-30dB @1-100MHz	-30dB @1-100MHz	NON-PoE
RM4I2I5G44GA	1G	A	YES	G & Y	-1.0dB @1-100MHz	-10dB @1-100MHz	-30dB @1-100MHz	-30dB @1-100MHz	NON-PoE
RM4O2IOG09GA	1G	B	YES	NO	-1.0dB @1-100MHz	-10dB @1-100MHz	-30dB @1-100MHz	-30dB @1-100MHz	NON-PoE
RM4I2I5Q26GA	2.5/5G	A	YES	G & Y	-2.0dB @1-250MHz	-8.0dB @1-250MHz	-30dB @1-250MHz	-30dB @1-250MHz	NON-PoE

NOTES:

1. LED Option Colors: G=Green Y=Yellow O=Orange A=Amber 2. Minimum 1500Vrms Isolation Per IEEE 802.3 Requirement

RJ45 Durability Testing Rating

Part Number	Mating Force (MAX)	Unmating Force (MAX)	Durability	Plug to Jack Retention(MIN)
RM4 Series	5 lbs./2.268 kgs.	5 lbs./2.268 kgs.	750 Insertions	20 lbs./9.072 kgs.

RJ45 Material Specification

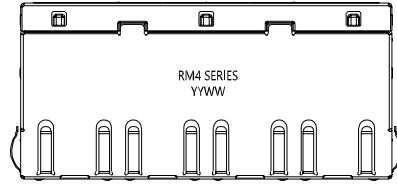
Part Number	Contact			Shield		Housing		MSL Rating
	Material	Plating Area	Solder Area	Material	Finish	Material	Specification	
RM4 Series	Phosphor Bronze	Gold Flash-50μ" Glod Over 30μ" Min Nickel	100μ" Min Tin On Solder Tail	Brass	30μ" Min Nickel Over Brass	Thermoplastic	UL 94 V-0	1

NOTES:

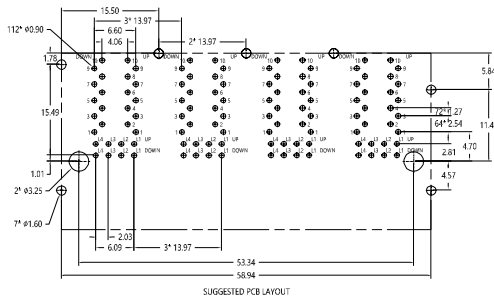
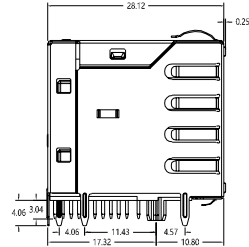
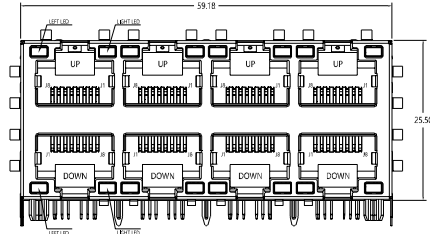
1. Connector Dimensions Comply With FCC Dimension Requirements 2. MSL - Moisture Sensitivity Level

Mechanical(Continued)

A Type

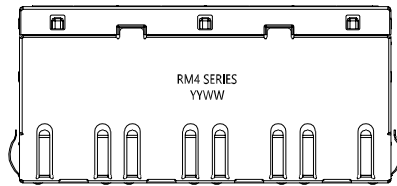


Dimensions in mm
Unless Otherwise Specified, All Tolerances Are ±0.25

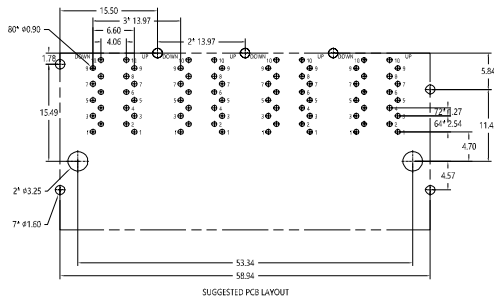
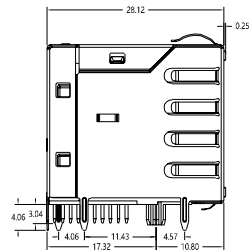
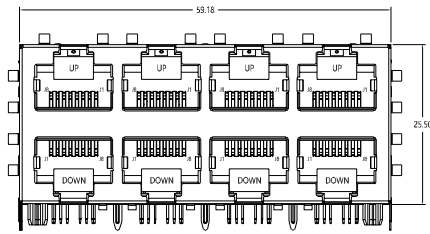


SUGGESTED PCB LAYOUT

B Type

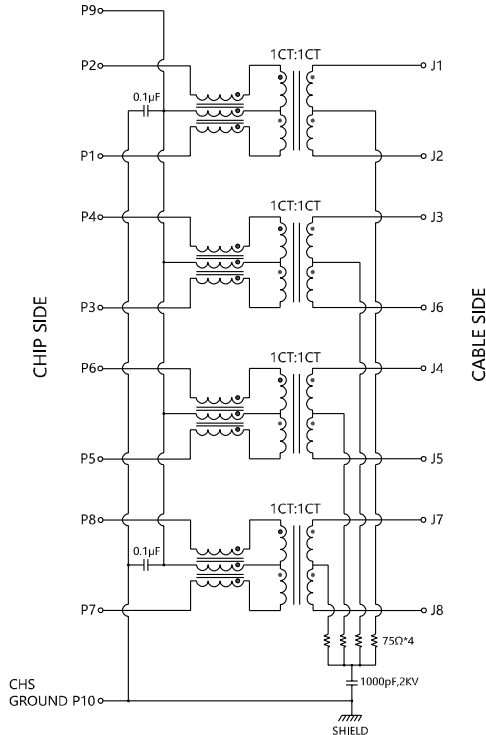


Dimensions in mm
Unless Otherwise Specified, All Tolerances Are ±0.25



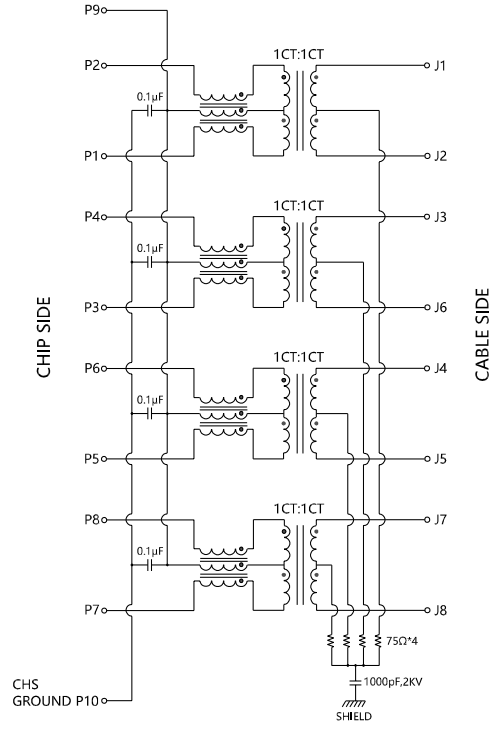
SUGGESTED PCB LAYOUT

RXXxxxxG09



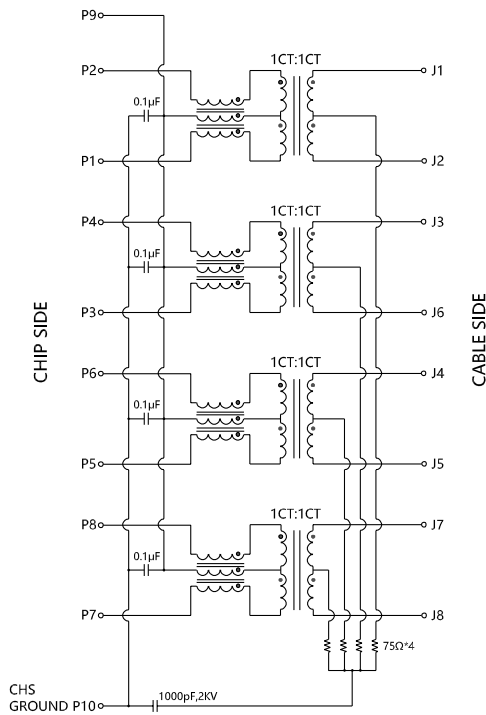
NOTE: Connect CHS GND To PCB Ground

RXXxxxxG38



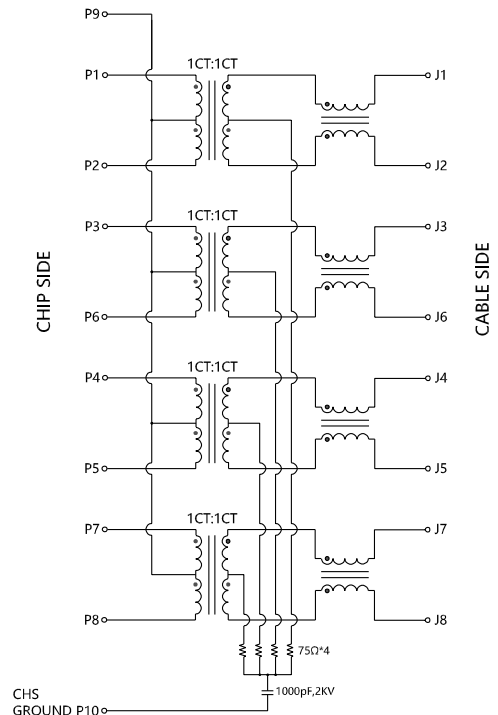
NOTE: Connect CHS GND To PCB Ground

RXXxxxxG44



NOTE: Connect CHS GND To PCB Ground

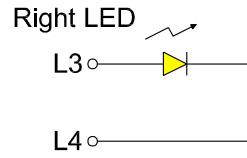
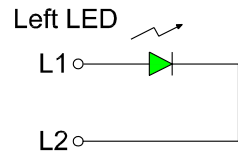
RXXxxxxQ26



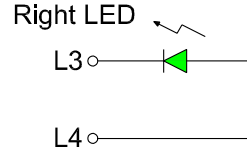
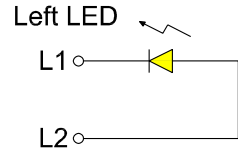
NOTE: Connect CHS GND To PCB Ground

LED Configuration

RXXxxx5



RXXxxx9





RN4 SERIES

2*4 TAB-BOTH ICMs

Features And Benefits:

RoHS Peak Wave Solder Temperature Rating 260°C
 Suitable For CAT 5 & 6 Fast Ethernet Cable Or Better UTP

Electrical Performance Summary:

Compliant With IEEE 802.3 Standard
 350 μH Minimum OCL With 8mA Bias Current

Electrical Specifications @ 25°C

Part Number	Speed	Mech. Drawing	EMI Fingers	LEDs (L/R)	Insertion Loss (dB Typ.)	Return Loss (dB Typ.)	Crosstalk (dB Typ.)	CMRR (dB Typ.)	PoE Rating
RN4I2I5PG6GA	1G	A	YES	G & Y	-1.0dB @1-100MHz	-10dB @1-100MHz	-30dB @1-100MHz	-30dB @1-100MHz	2PPoE 30W
RN4I2I0PG3GD	1G	B	YES	NO	-1.0dB @1-100MHz	-10dB @1-100MHz	-30dB @1-100MHz	-30dB @1-100MHz	2PPoE 30W

NOTES:

1. LED Option Colors: G=Green Y=Yellow O=Orange A=Amber 2. Minimum 1500Vrms Isolation Per IEEE 802.3 Requirement

RJ45 Durability Testing Rating

Part Number	Mating Force (MAX)	Unmating Force (MAX)	Durability	Plug to Jack Retention(MIN)
RN4 Series	5 lbs./2.268 kgs.	5 lbs./2.268 kgs.	750 Insertions	20 lbs./9.072 kgs.

RJ45 Material Specification

Part Number	Contact			Shield		Housing		MSL Rating
	Material	Plating Area	Solder Area	Material	Finish	Material	Specification	
RN4 Series	Phosphor Bronze	Gold Flash-50μ" Glad Over 30μ" Min Nickel	100μ" Min Tin On Solder Tail	Brass	30μ" Min Nickel Over Brass	Thermoplastic	UL 94 V-0	1

NOTES:

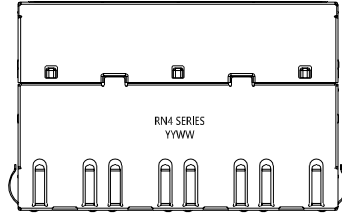
1. Connector Dimensions Comply With FCC Dimension Requirements 2. MSL - Moisture Sensitivity Level



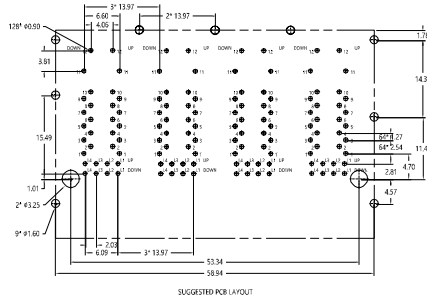
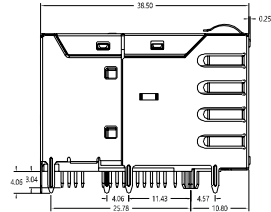
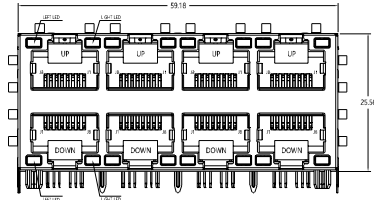
Balun Transformer | Coupler | Divider | Inductor | Choke | Bead | Air Coil | LAN Transformer

Mechanical(Continued)

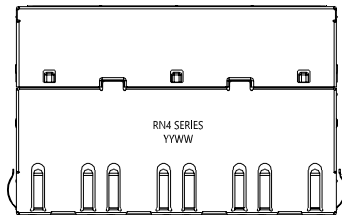
A Type



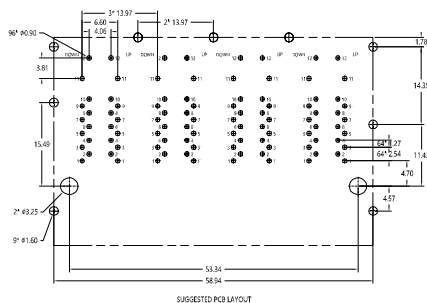
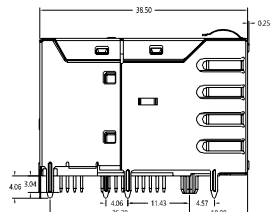
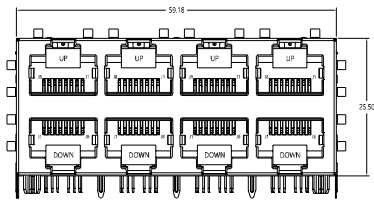
Dimension in mm
Unless Otherwise Specified, All Tolerances Are ±0.25



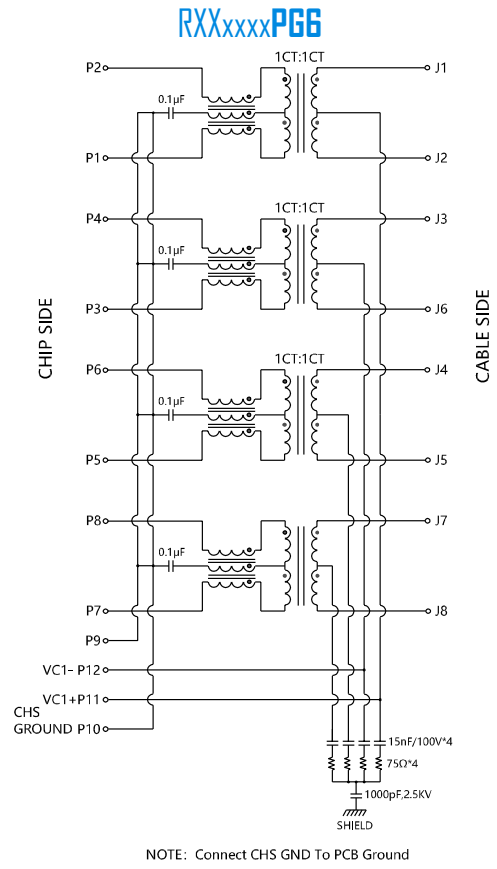
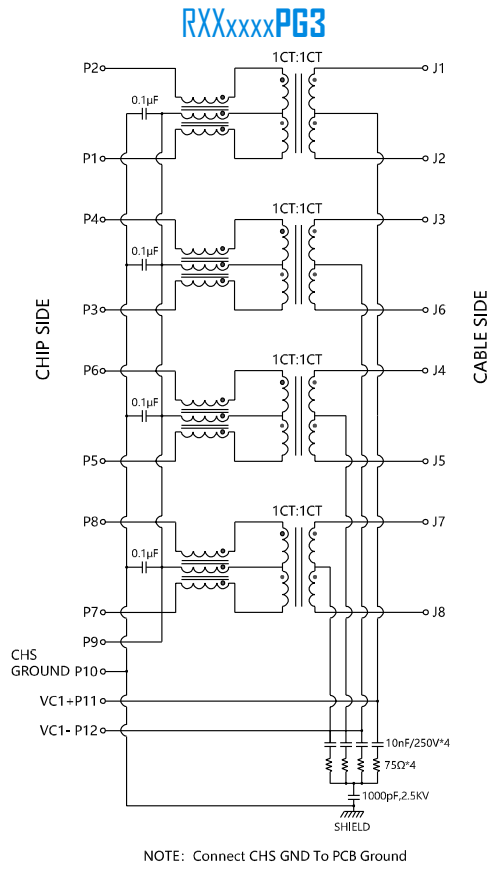
B Type



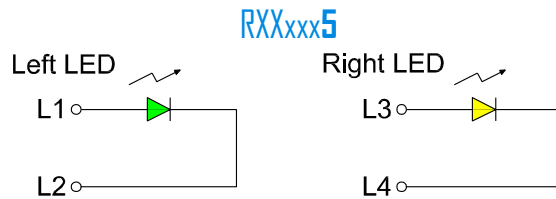
Dimension in mm
Unless Otherwise Specified, All Tolerances Are ±0.25



Electrical Schematics



LED Configuration





RM6 SERIES

2*6 TAB-BOTH ICMs

Features And Benefits:

RoHS Peak Wave Solder Temperature Rating 260°C
Suitable For CAT 5 & 6 Fast Ethernet Cable Or Better UTP

Electrical Performance Summary:

Compliant With IEEE 802.3 Standard
350 μ H Minimum OCL With 8mA Bias Current

Electrical Specifications @ 25°C

Part Number	Speed	Mech. Drawing	EMI Fingers	LEDs (L/R)	Insertion Loss (dB Typ.)	Return Loss (dB Typ.)	Crosstalk (dB Typ.)	CMRR (dB Typ.)	PoE Rating
RM67115H02GA	10/100	A	YES	G & Y	-1.0dB @1-100MHz	-10dB @1-100MHz	-30dB @1-100MHz	-30dB @1-100MHz	NON-PoE
RM67115G02GA	1G	A	YES	G & Y	-1.0dB @1-100MHz	-10dB @1-100MHz	-30dB @1-100MHz	-30dB @1-100MHz	NON-PoE

NOTES:

1. LED Option Colors: G=Green Y=Yellow O=Orange A=Amber 2. Minimum 1500Vrms Isolation Per IEEE 802.3 Requirement

RJ45 Durability Testing Rating

Part Number	Mating Force (MAX)	Unmating Force (MAX)	Durability	Plug to Jack Retention(MIN)
RM6 Series	5 lbs./2.268 kgs.	5 lbs./2.268 kgs.	750 Insertions	20 lbs./9.072 kgs.

RJ45 Material Specification

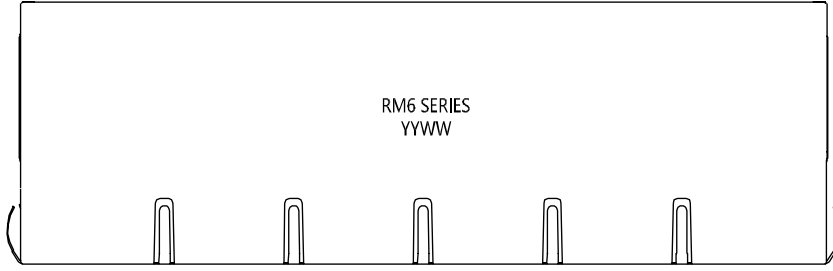
Part Number	Contact			Shield		Housing		MSL Rating
	Material	Plating Area	Solder Area	Material	Finish	Material	Specification	
RM6 Series	Phosphor Bronze	Gold Flash-50 μ " Glod Over 30 μ " Min Nickel	100 μ " Min Tin On Solder Tail	Brass	30 μ " Min Nickel Over Brass	Thermoplastic	UL 94 V-0	1

NOTES:

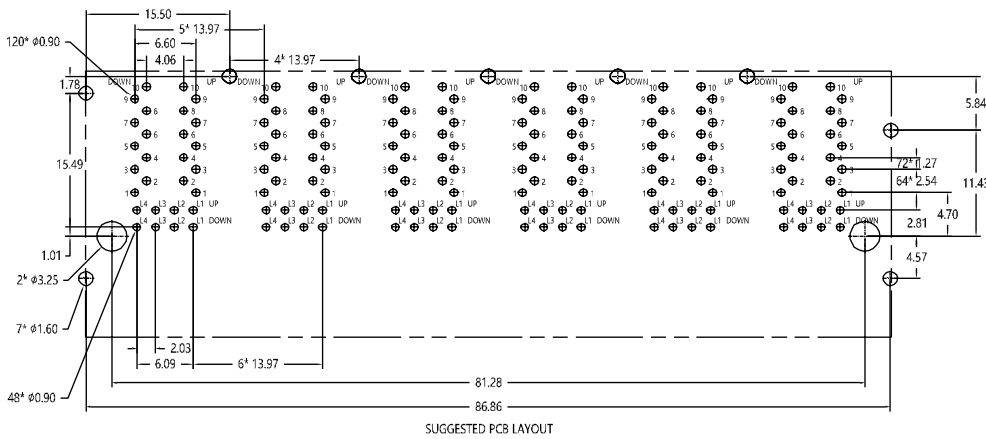
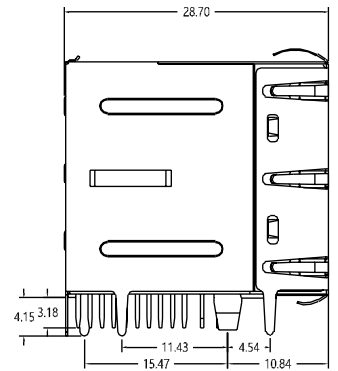
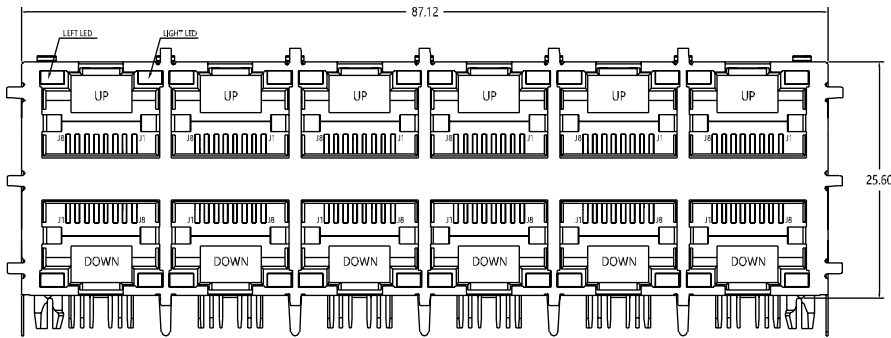
1. Connector Dimensions Comply With FCC Dimension Requirements 2. MSL - Moisture Sensitivity Level

Mechanical(Continued)

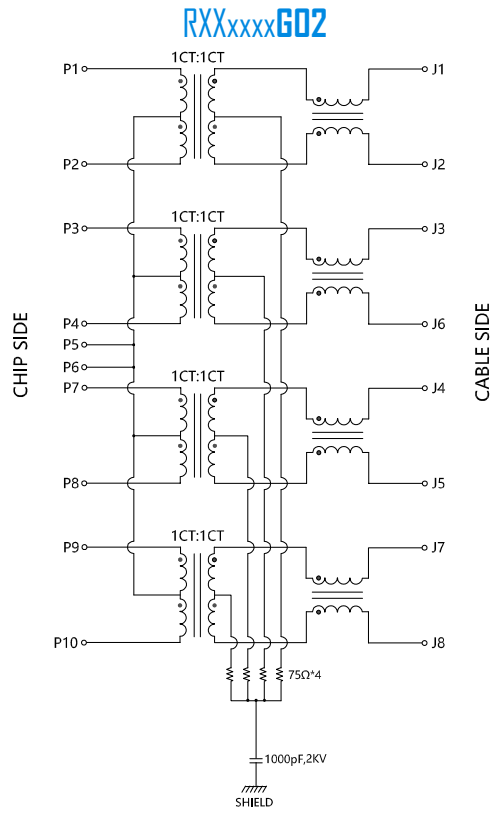
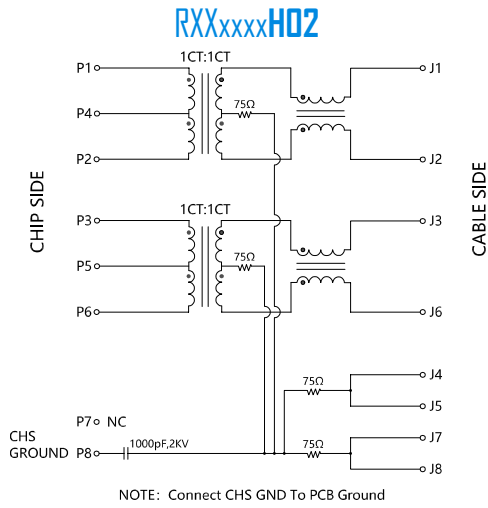
A Type



Dimensions:mm
Unless Otherwise Specified, All Tolerances Are ±0.25

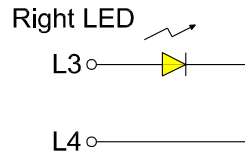
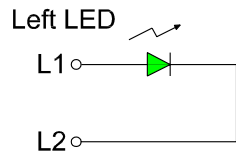


Electrical Schematics



LED Configuration

RXXxxx5





RM8 SERIES

2*8 TAB-BOTH ICMs

Features And Benefits:

RoHS Peak Wave Solder Temperature Rating 260°C
Suitable For CAT 5 & 6 Fast Ethernet Cable Or Better UTP

Electrical Performance Summary:

Compliant With IEEE 802.3 Standard
350 μH Minimum OCL With 8mA Bias Current

Electrical Specifications @ 25°C

Part Number	Speed	Mech. Drawing	EMI Fingers	LEDs (L/R)	Insertion Loss (dB Typ.)	Return Loss (dB Typ.)	Crosstalk (dB Typ.)	CMRR (dB Typ.)	PoE Rating
RM82115H02GA	10/100	A	YES	G & Y	-1.0dB @1-100MHz	-10dB @1-100MHz	-30dB @1-100MHz	-30dB @1-100MHz	NON-PoE
RM82110H04GA	10/100	B	YES	NO	-1.0dB @1-100MHz	-10dB @1-100MHz	-30dB @1-100MHz	-30dB @1-100MHz	NON-PoE
RM82110G02GA	1G	B	YES	NO	-1.0dB @1-100MHz	-10dB @1-100MHz	-30dB @1-100MHz	-30dB @1-100MHz	NON-PoE
RM8211CQ23GA	2.5/5G	A	YES	G & Y	-2.0dB @1-250MHz	-8.0dB @1-250MHz	-30dB @1-250MHz	-30dB @1-250MHz	NON-PoE

NOTES:

1. LED Option Colors: G=Green Y=Yellow O=Orange A=Amber 2. Minimum 1500Vrms Isolation Per IEEE 802.3 Requirement

RJ45 Durability Testing Rating

Part Number	Mating Force (MAX)	Unmating Force (MAX)	Durability	Plug to Jack Retention(MIN)
RM8 Series	5 lbs./2.268 kgs.	5 lbs./2.268 kgs.	750 Insertions	20 lbs./9.072 kgs.

RJ45 Material Specification

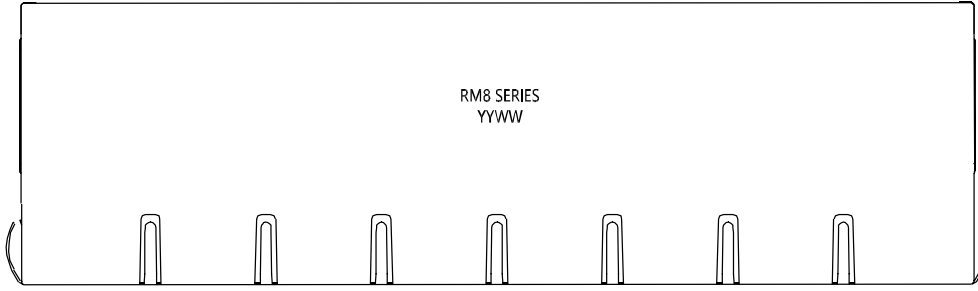
Part Number	Contact			Shield		Housing		MSL Rating
	Material	Plating Area	Solder Area	Material	Finish	Material	Specification	
RM8 Series	Phosphor Bronze	Gold Flash-50μ" Glod Over 30μ" Min Nickel	100μ" Min Tin On Solder Tail	Brass	30μ" Min Nickel Over Brass	Thermoplastic	UL 94 V-0	1

NOTES:

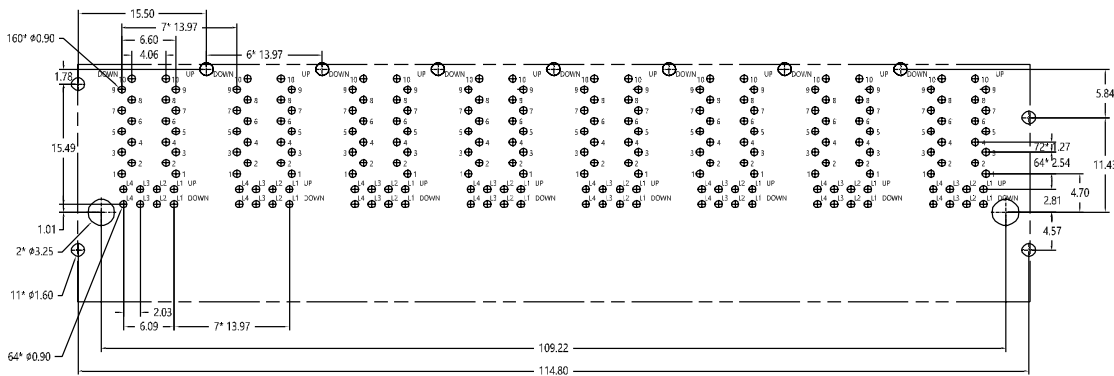
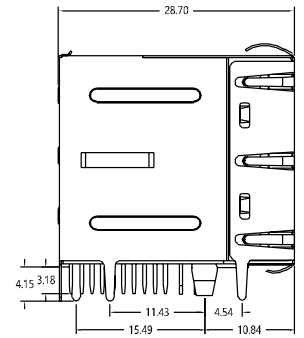
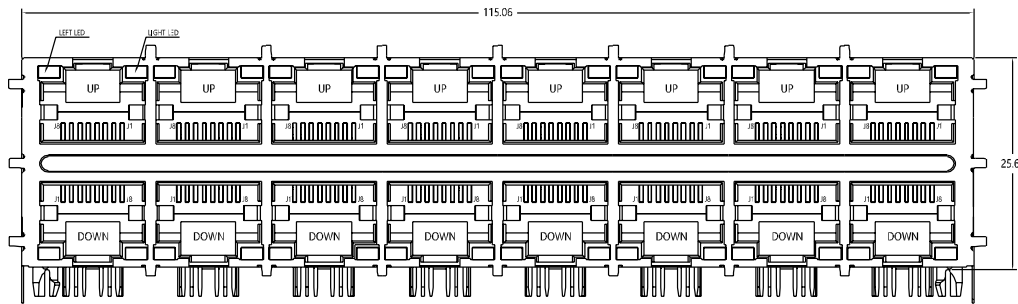
1. Connector Dimensions Comply With FCC Dimension Requirements 2. MSL - Moisture Sensitivity Level

Mechanical(Continued)

A Type



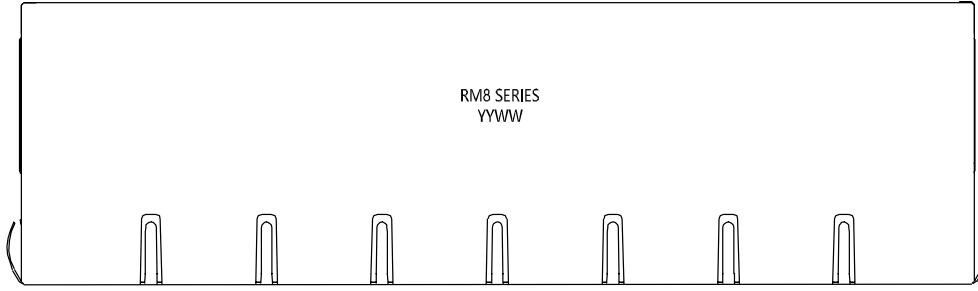
Dimensions:mm
Unless Otherwise Specified, All Tolerances Are ± 0.25



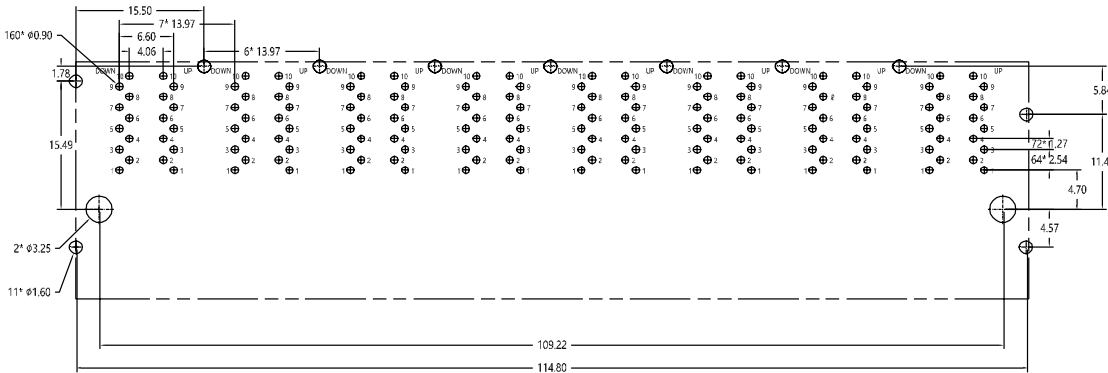
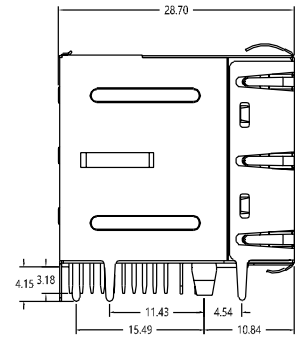
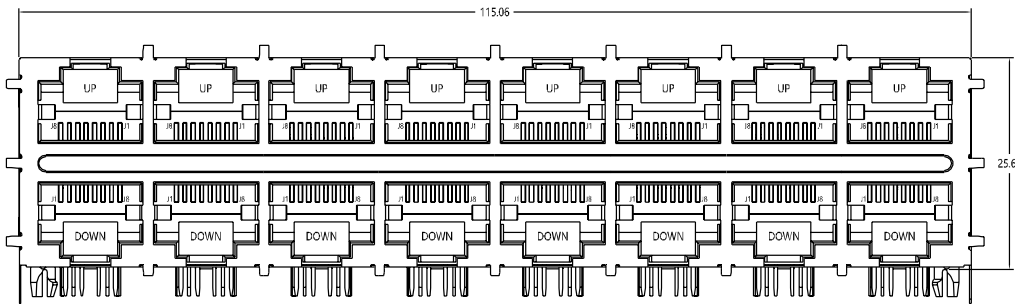
SUGGESTED PCB LAYOUT

Mechanical(Continued)

B Type

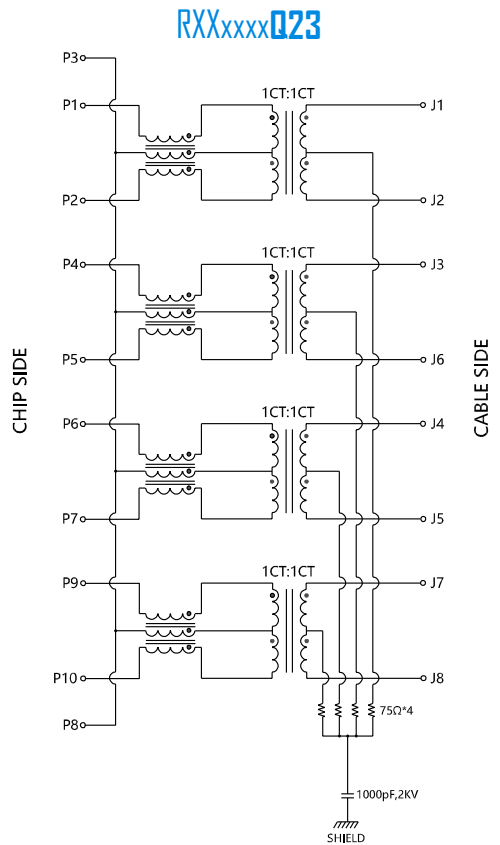
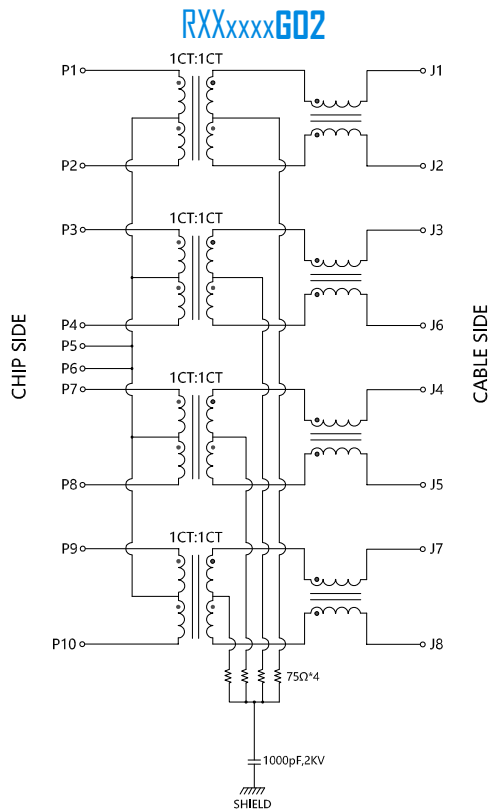
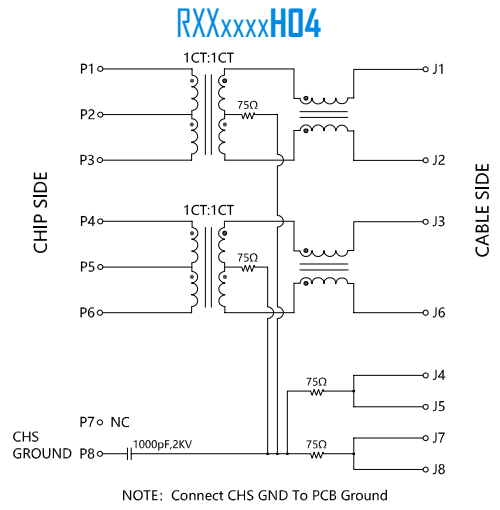
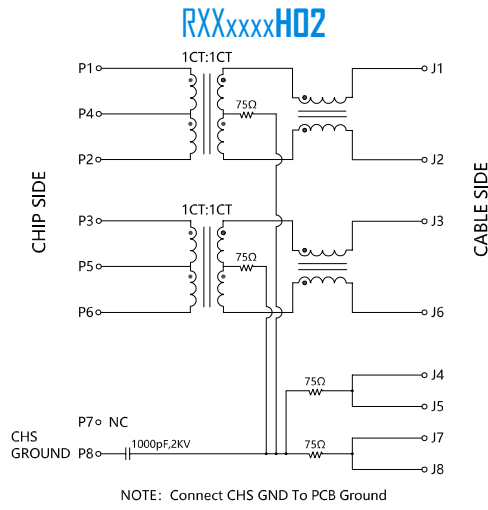


Dimensions:mm
Unless Otherwise Specified, All Tolerances Are ± 0.25



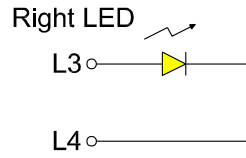
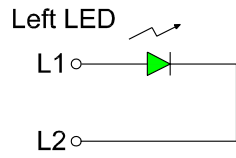
SUGGESTED PCB LAYOUT

Electrical Schematics

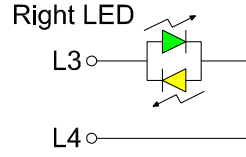
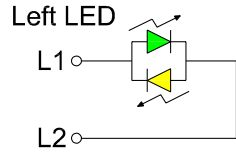


LED Configuration

RXXxxx5



RXXxxxC



Closer To The World



珠海市东恒电子有限公司

Zhuhai Eastever Electronic Co., Ltd.

Tel #: 86-756-8898808 Ext:615 Cell#: 159-1624-7698

Http://www.east-ever.com QQ:878671401 Skype:zhyuefa

Add: Building 5,Yuxun Science Park,7 Pingxi 1st Rd,Xiangzhou Dt,Zhuhai