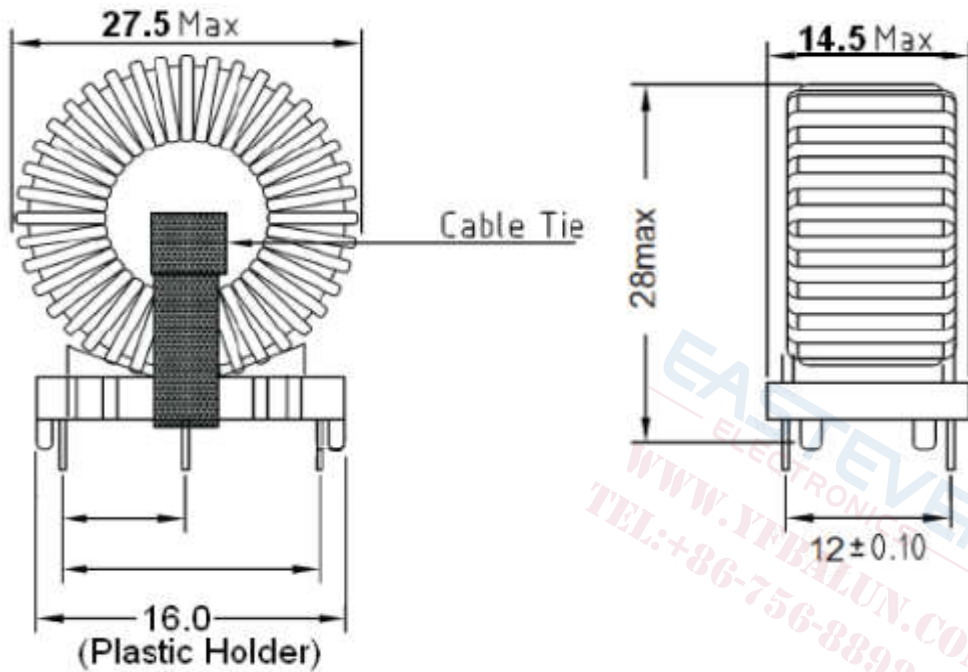


1、 DIMENSION DIAGRAM (Unit: mm)



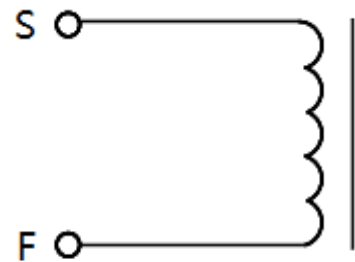
2、 BILLOF MATERIALS

CORE:90-26

SOLDER:Sn99.3-0.7-S002

WIRE:0.80mm (2UEW-F)

3、 ELECTRICAL STRUCTURE



3、 ELECTRICAL CHARACTERISTICS:

TURNS : S-F=91.0TS(REF)

TEST FREQUENCY : 1KHz/0.3V

INDUCTANCE : S-F=280uH±10% (TH2776B)

RATED CURRENT : 3.5A Max