

**Features::**

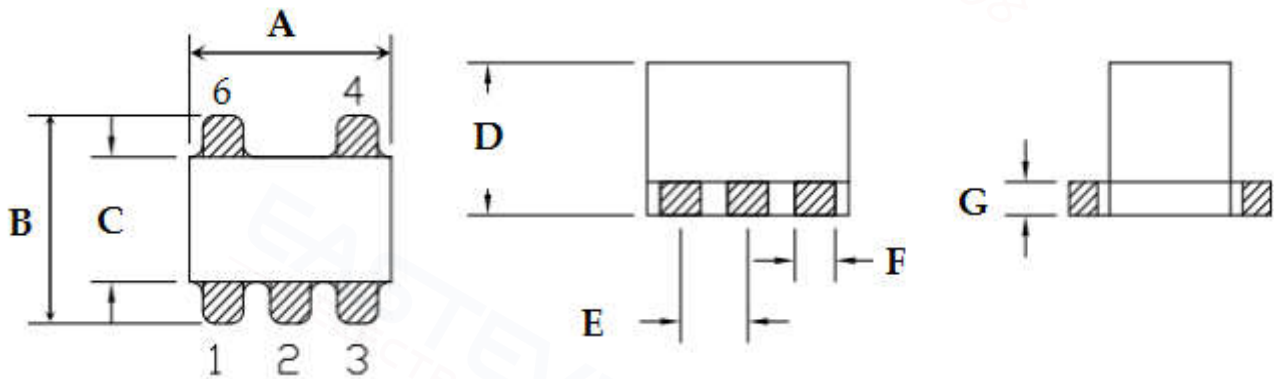
- ◆ 1: 4CT Impedance
- ◆ 50Ω Impedance
- ◆ Frequency: 3 to 900 MHz
- ◆ RF power: 0.50W
- ◆ DC current: 30mA
- ◆ Good return loss
- ◆ Operating temperature range: -40°C to +85°C
- ◆ Storage temperature range: -55°C to +125°C



**Applications:**

- ◆ For impedance matching
- ◆ For VHF/UHF receivers/transmitters and push-pull amplifiers

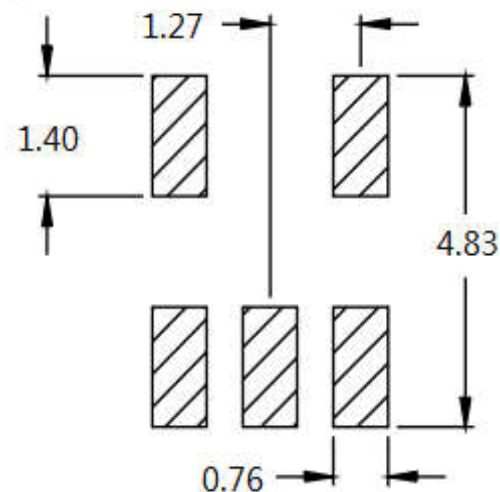
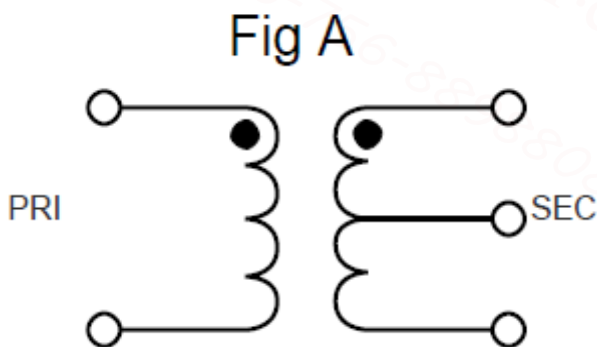
**Dimension Diagram (Unit:mm) :**



A=3.80±0.20 B=3.80±0.20 C=2.30±0.20 D=2.80±0.20 E=1.27±0.10 F=0.76±0.10 G=0.60±0.10

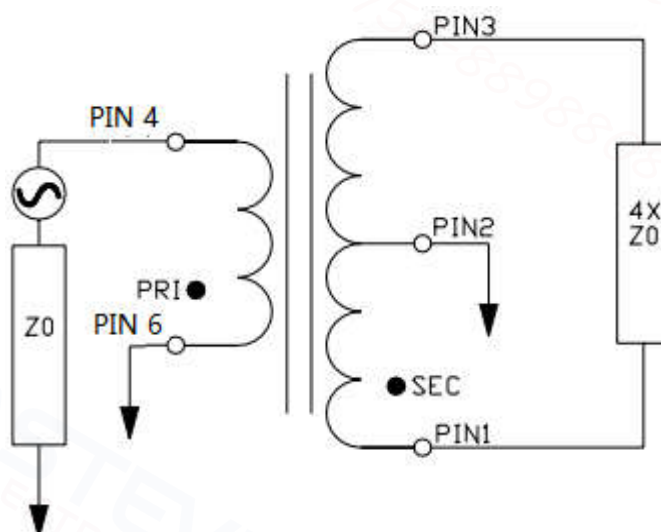
**Electrical structure:**

**Recommended layout:**



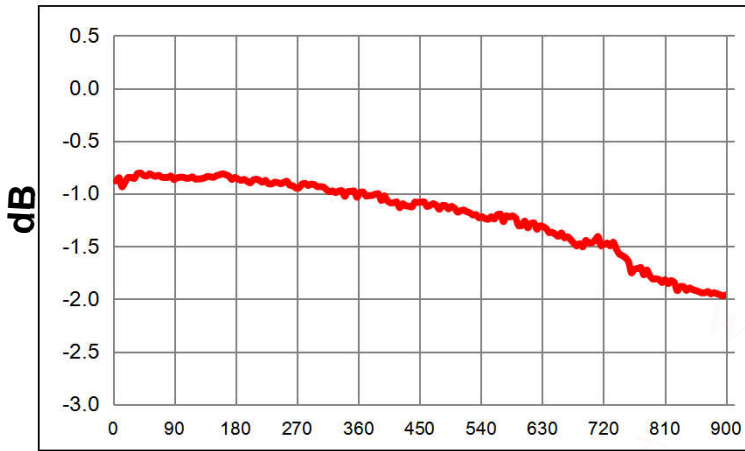
**Pin configuration:**

Pin No.	Function
1	Secondary (Output 2)
2	Centre tap (Ground)
3	Secondary dot (Output 1)
4	Primary dot (Input)
6	Primary (Ground)

**Application circuit :****Electrical Specifications: TA=25°C , 0dBm,Z0=50Ω:**

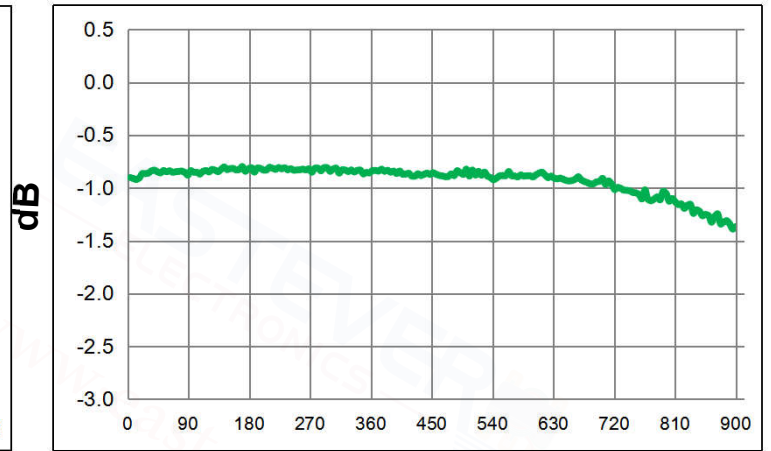
Parameter	Test Conditions	Units	Min	Typ	Max
Main line Loss(out1)	3-900MHz	dB	—	1.00	3.00
Main line Loss(out2)	3-900MHz	dB	—	0.80	3.00
Amplitude Balance	3-900MHz	dB	—	±0.50	±1.00
Phase Balance	3-900MHz	Degrees	—	±5.00	±10.00
Input Return Loss	3-900MHz	dB	10.00	20.00	—

#### Main line Loss(out1)



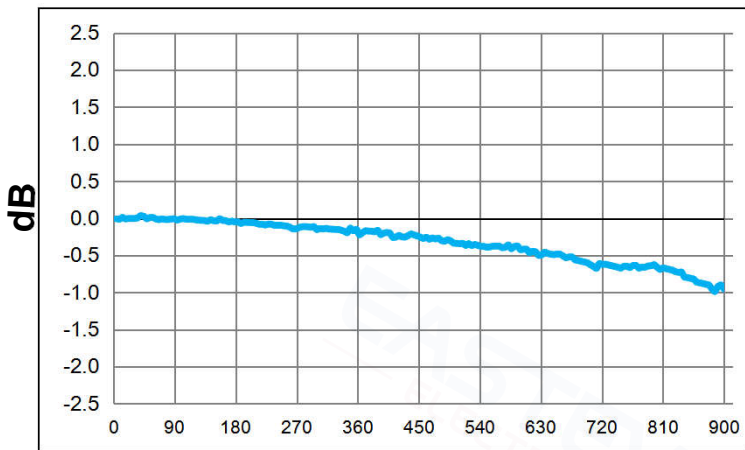
Frequency(MHz)

#### Main line Loss(out2)



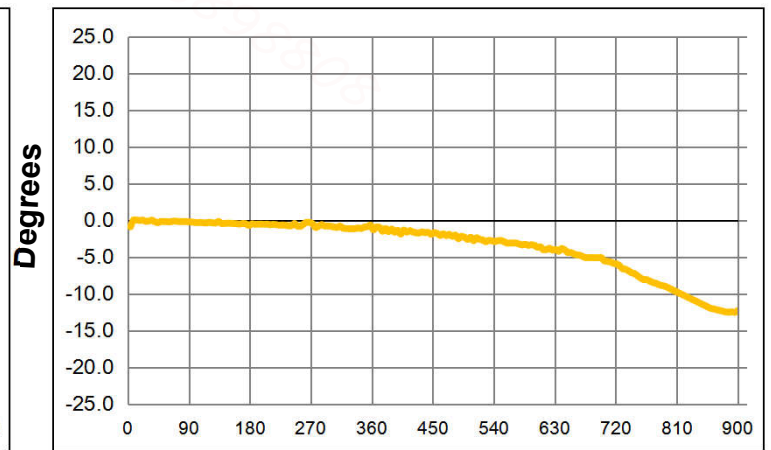
Frequency(MHz)

#### Amplitude Balance



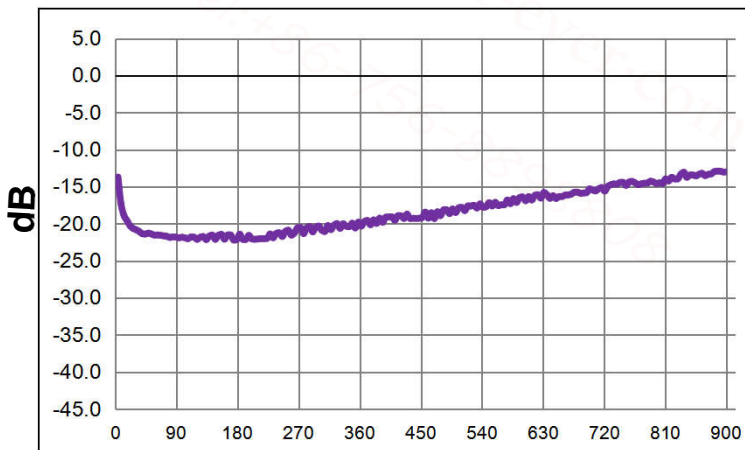
Frequency(MHz)

#### Phase Balance



Frequency(MHz)

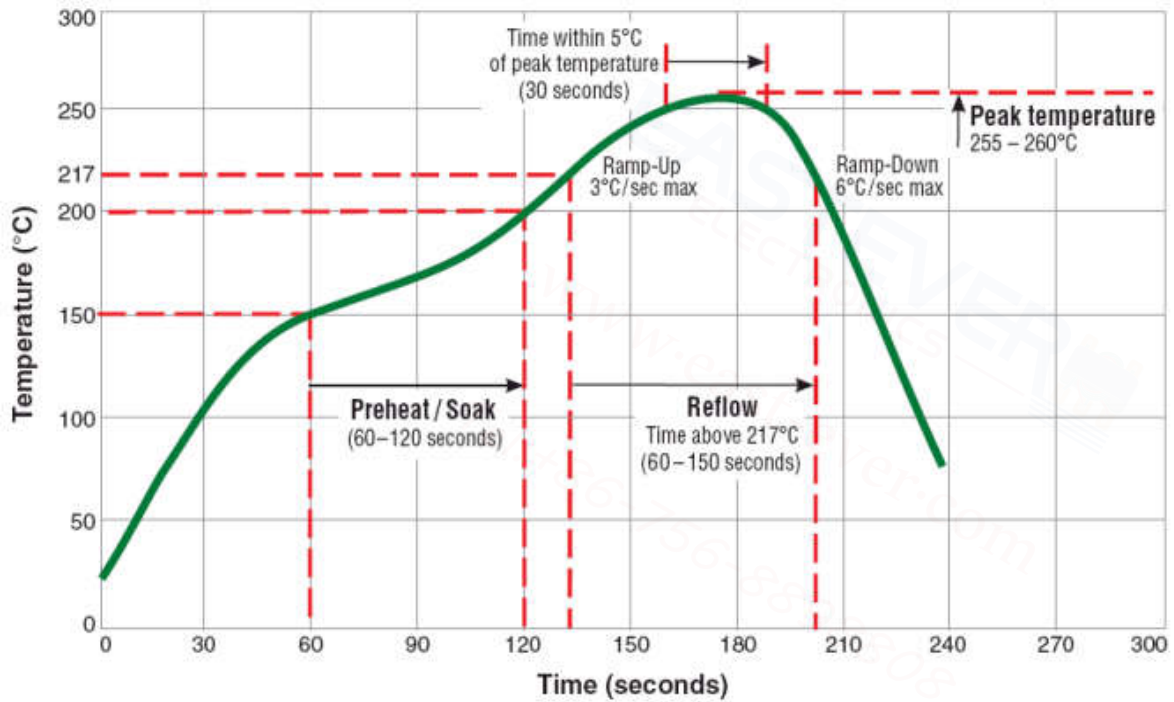
#### Input Return Loss



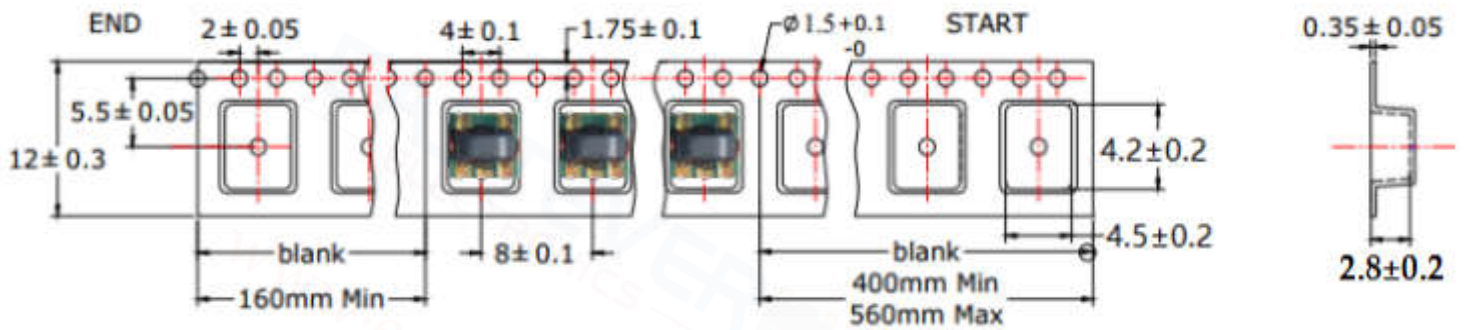
Frequency(MHz)

**Recommended Soldering Temperature Graph:**

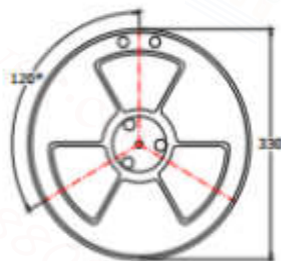
**Typical RoHS Reflow Profile**



**Packging Dimension For Caeier Tape(UNIT:mm):**



QUANTITY
2000pcs/reel
4Reel/Middle Carton
4Middle Carton/Big Carton
32000pcs/Big Carton



SPEC	8	12	16	24
DIM A±0.1	8.5	12.5	16.5	24.5
DIM B±0.1	2.3	2.3	2.3	2.3
DIM C±0.1	100	100	100	100

