

Features::

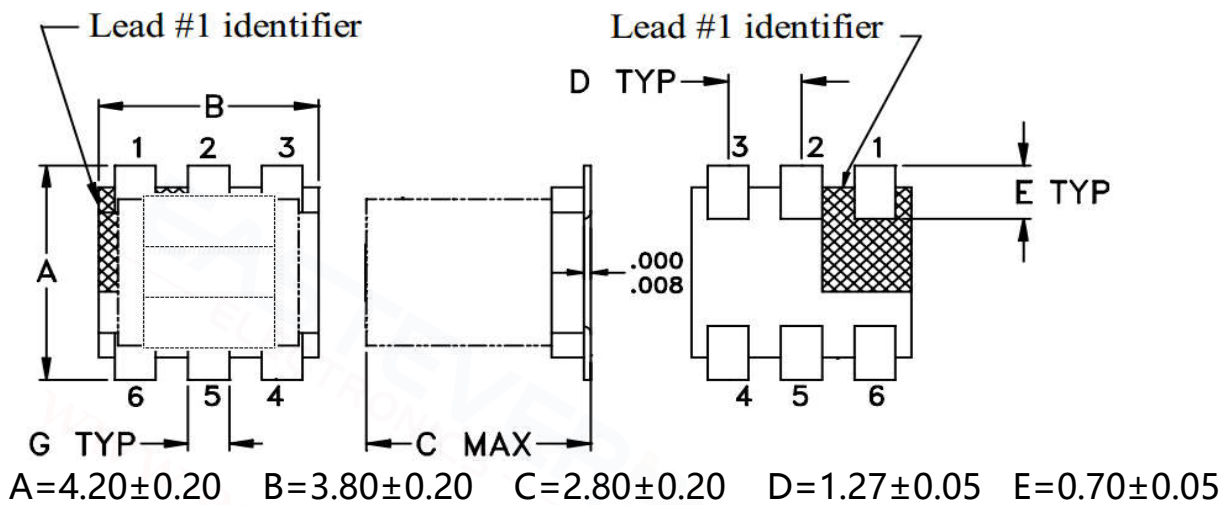
- ◆ 1: 1CT Impedance
- ◆ 50Ω Impedance
- ◆ Frequency: 1.5 to 500 MHz
- ◆ RF power: 0.50W
- ◆ DC current: 30mA
- ◆ Operating temperature range: -40°C to +85°C
- ◆ Storage temperature range: -55°C to +100°C



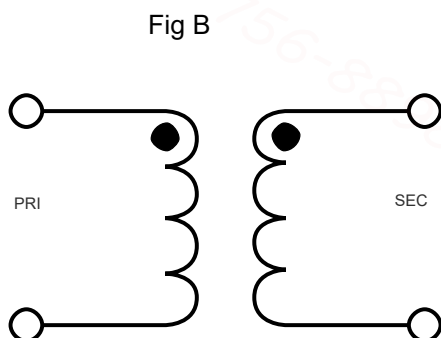
Applications:

- ◆ For broadband and wireless communications
- ◆ For VHF/UHF receivers/transmitters and push-pull amplifiers

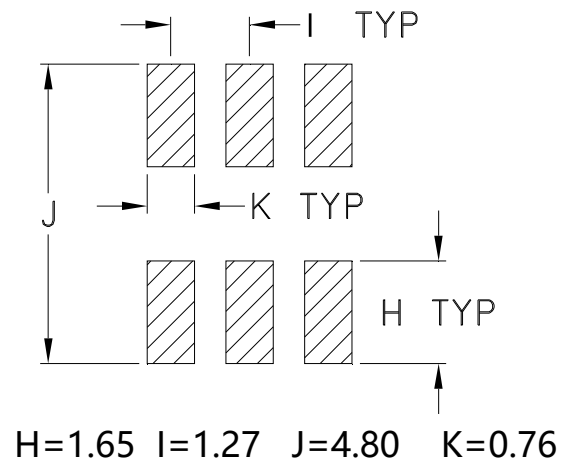
Dimension Diagram (Unit:mm) :



Electrical structure:

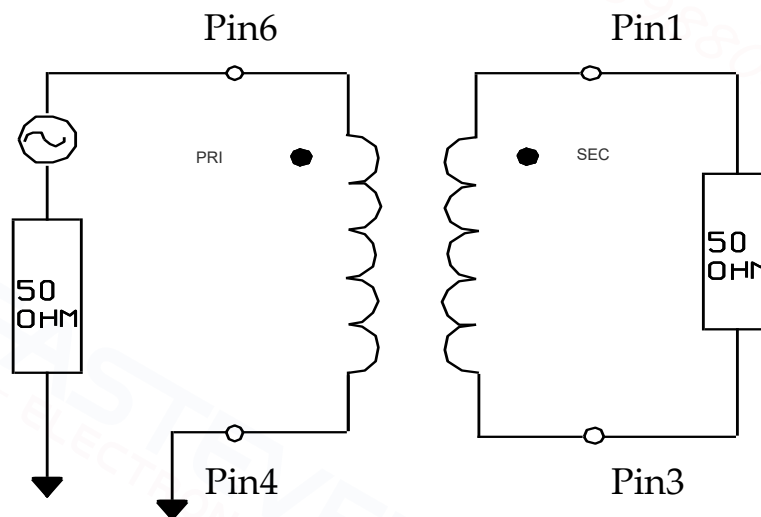


Recommended layout:



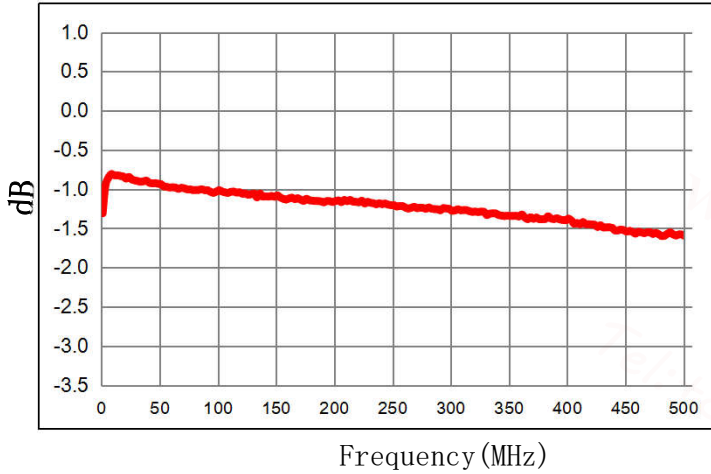
Pin configuration:

Pin No.	Function
1	Output1
3	Output2
4	Ground
6	Input
2,5	Not Connected

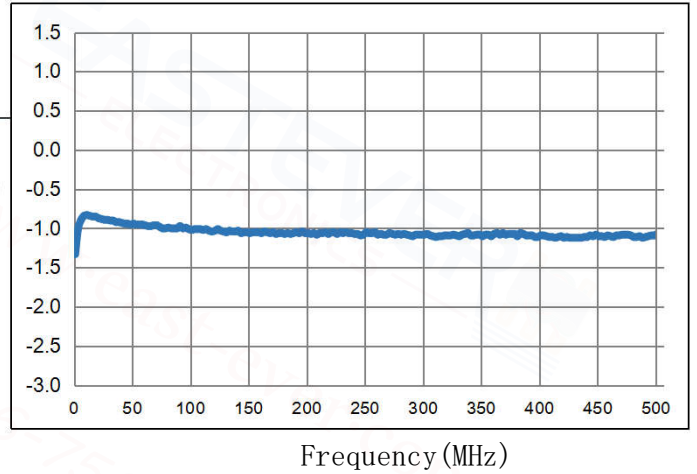
Application circuit :**Electrical Specifications: TA=25 0dBm,Z0=50Ω:**

Parameter	Test Conditions	Units	Min	Typ	Max
Main line Loss(out1)	1.5-500MHz	dB	—	1.5	3.0
Main line Loss(out2)	1.5-500MHz	dB	—	1.0	2.5
Amplitude Balance	1.5-500MHz	dB	—	0.5	±1.0
Phase Balance	1.5-500MHz	°	—	5.0	±8.0
Input Return Loss	1.5-500MHz	dB	6.0	15.0	—

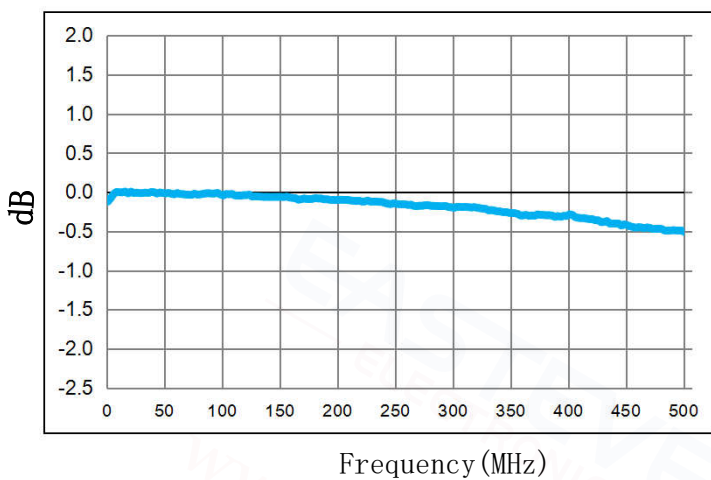
Main line Loss(out1)



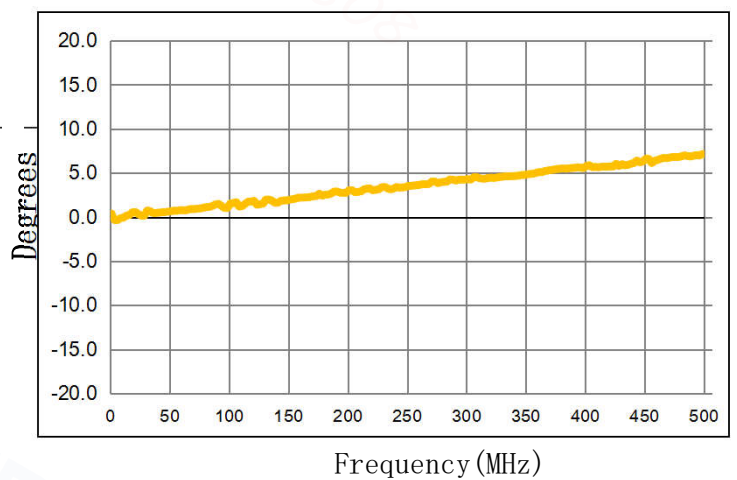
Main line Loss(out2)



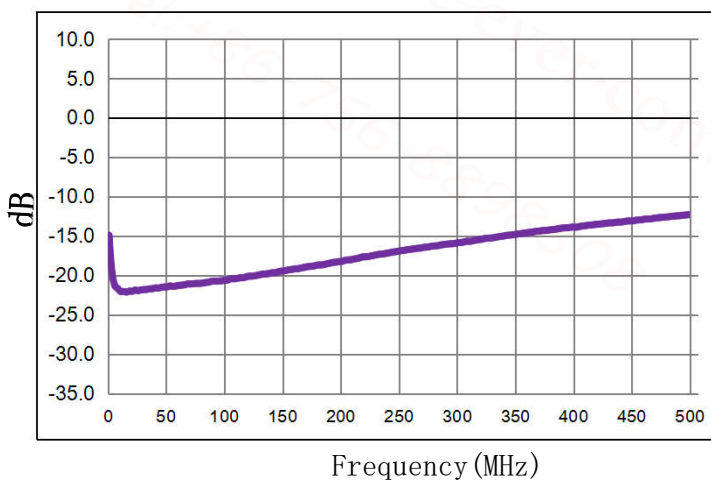
Amplitude Balance



Phase Balance

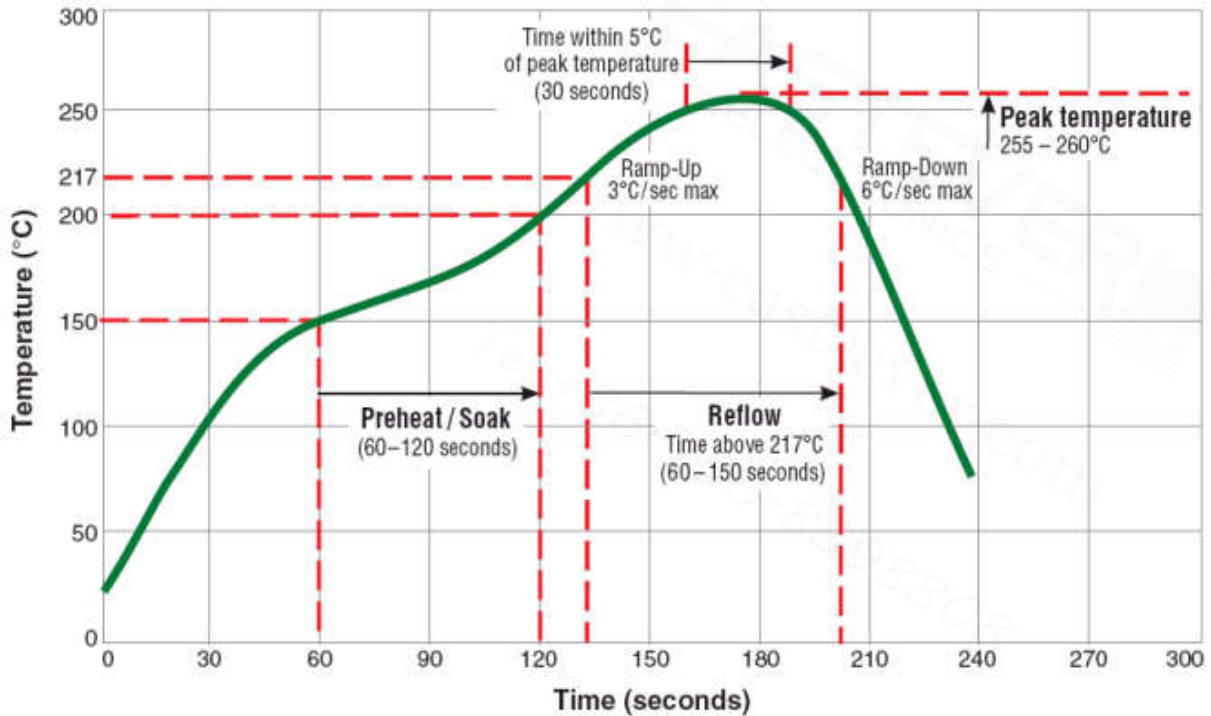


Input Return Loss

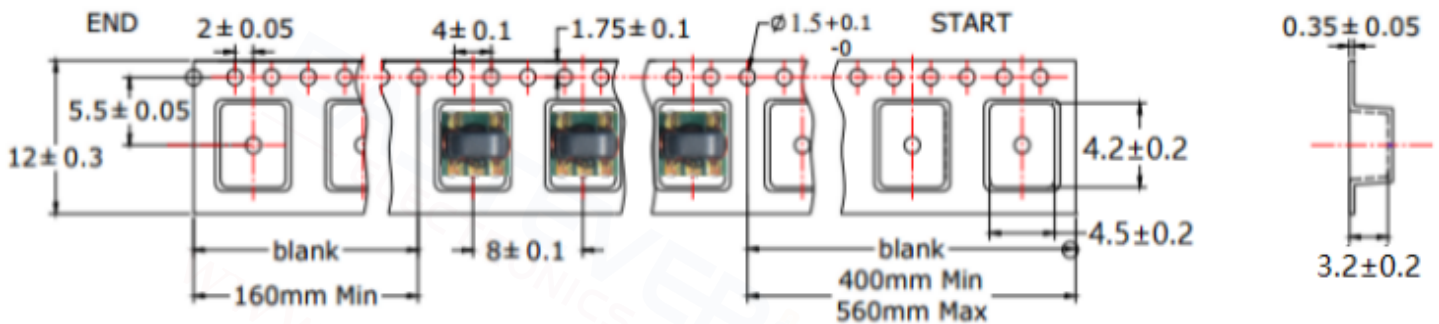


Recommended Soldering Temperature Graph:

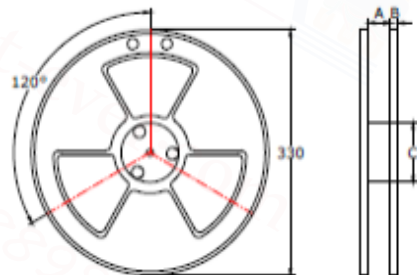
Typical RoHS Reflow Profile



Packging Dimension For Caeier Tape(UNIT:mm):



QUANTITY
2000PCS/Reel
4Reels/Middle Carton
4 Middle Cartons/Big Carton
32000PCS/ Big Carton



SPEC	8	12	16	24
DIM A±0.1	8.5	12.5	16.5	24.5
DIM B±0.1	2.3	2.3	2.3	2.3
DIM C±0.1	100	100	100	100

