

### Features:

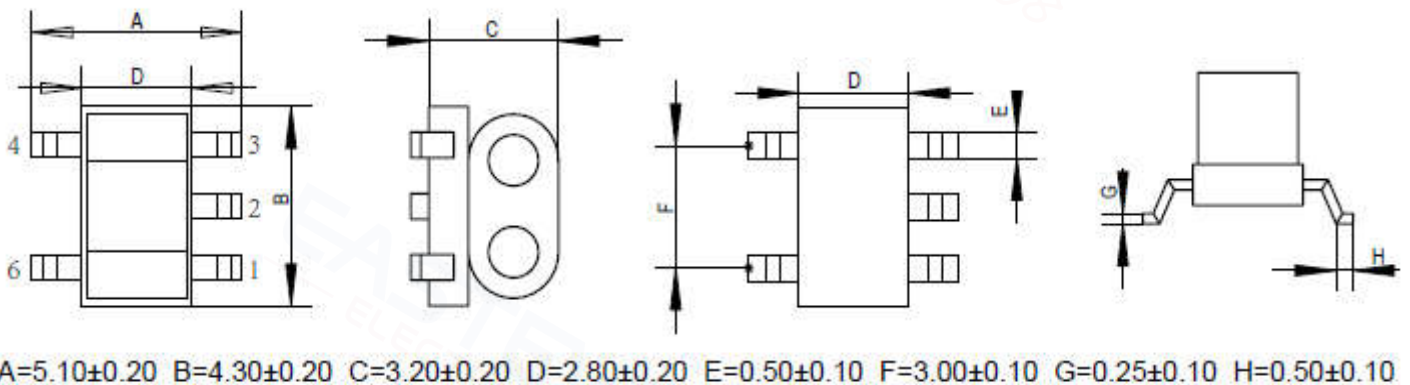
- ◆ Equivalent to: MABA-007731-CT1980
- ◆ 50Ω&75Ω Impedance
- ◆ Frequency: 50 to 2150 MHz
- ◆ RF power: 0.25W
- ◆ DC current: 30mA
- ◆ Insertion loss: 3.0dB Max; Input Return loss: 13.0dB Min
- ◆ Operating temperature range: -40°C to +85°C
- ◆ Storage temperature range: -55°C to +100°C



### Applications:

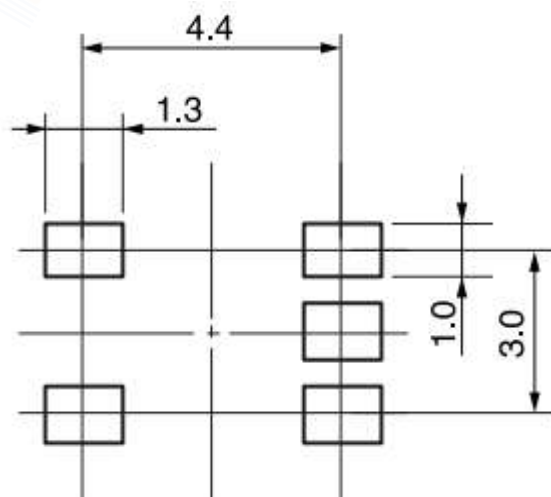
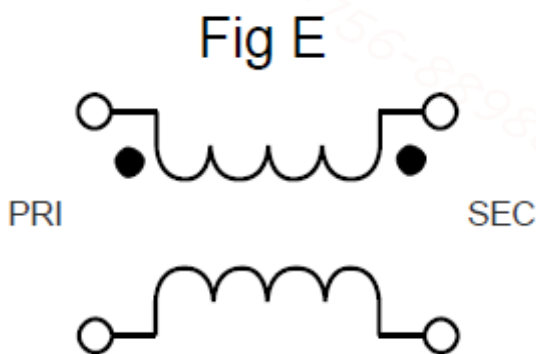
- ◆ For broadband and wireless communications
- ◆ For VHF/UHF receivers/transmitters and push-pull amplifiers

### Dimension Diagram (Unit:mm) :



### Electrical structure:

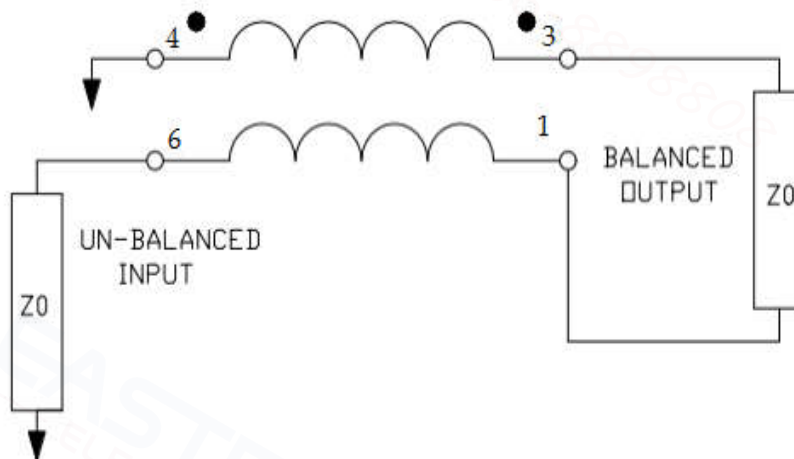
### Recommended layout:



**Pin configuration:**

Pin No.	Function
1	Secondary dot (Output 1)
2	Not connected
3	Secondary (Output 2)
4	Primary (Ground)
6	Primary dot (Input)

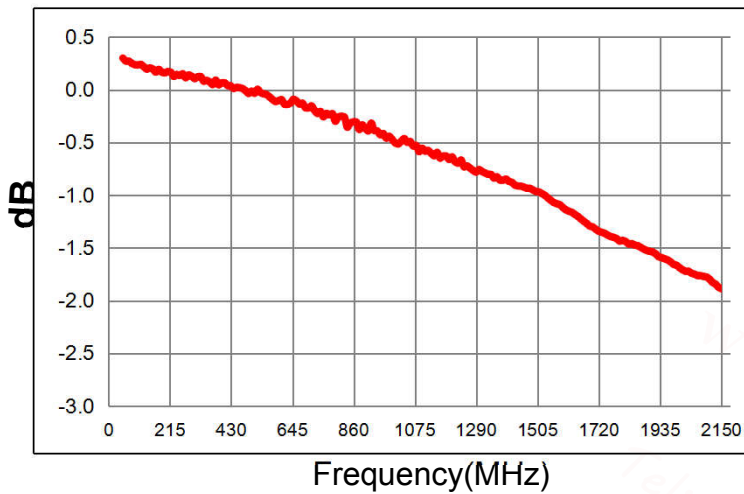
**Application circuit :**



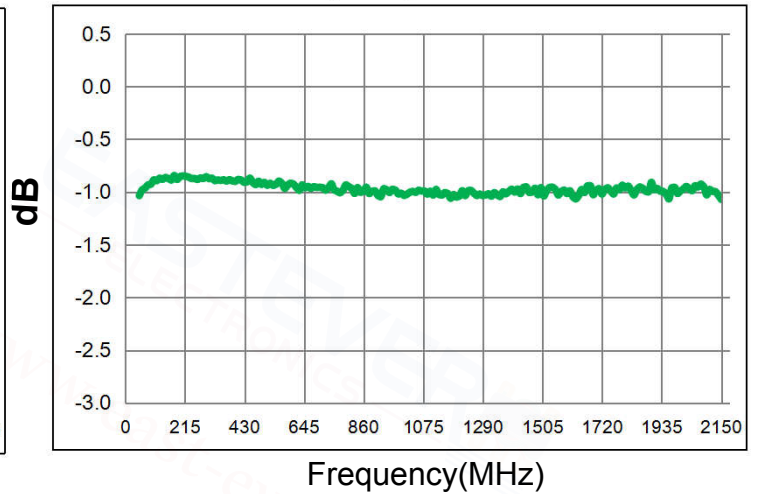
**Electrical Specifications: TA=25°C, 0dBm, Z0=75Ω:**

Parameter	Test Conditions	Units	Min	Typ	Max
Main line Loss(out1)	8-750MHz	dB	—	0.3	1.5
	750-2150MHz	dB	—	1.5	3.0
Main line Loss(out2)	8-750MHz	dB	—	0.8	1.5
	750-2150MHz	dB	—	1.0	3.0
Amplitude Balance	50-1250MHz	dB	—	±0.5	±2.0
Phase Balance	50-1250MHz	Degrees	—	±10	±10.0
Input Return Loss	50-1250MHz	dB	13.0	22.0	—

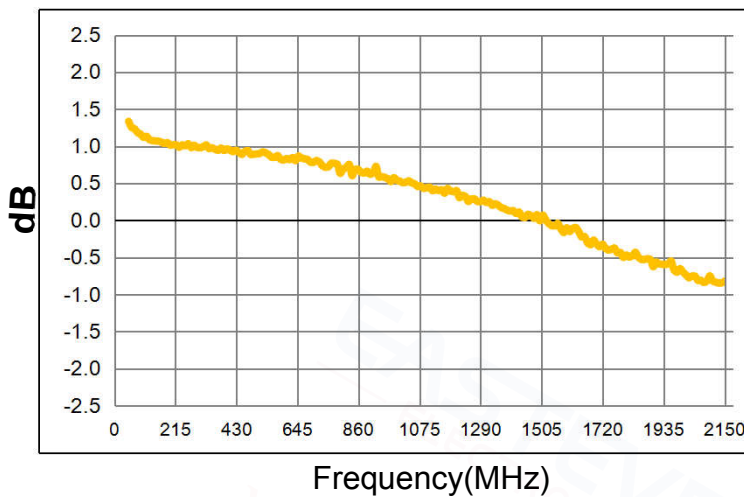
### Main line Loss(out1)



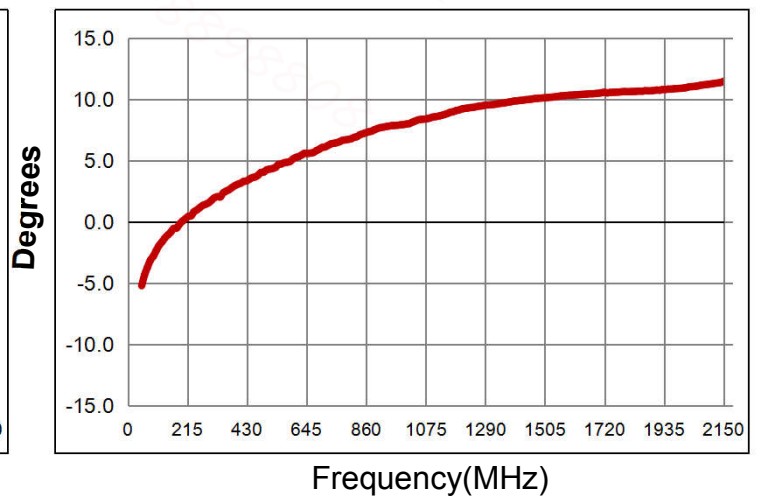
### Main line Loss(out2)



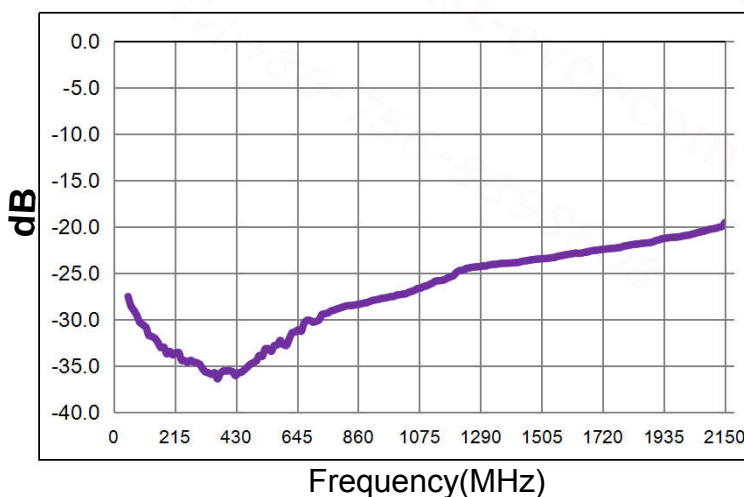
### Amplitude Balance



### Phase Balance

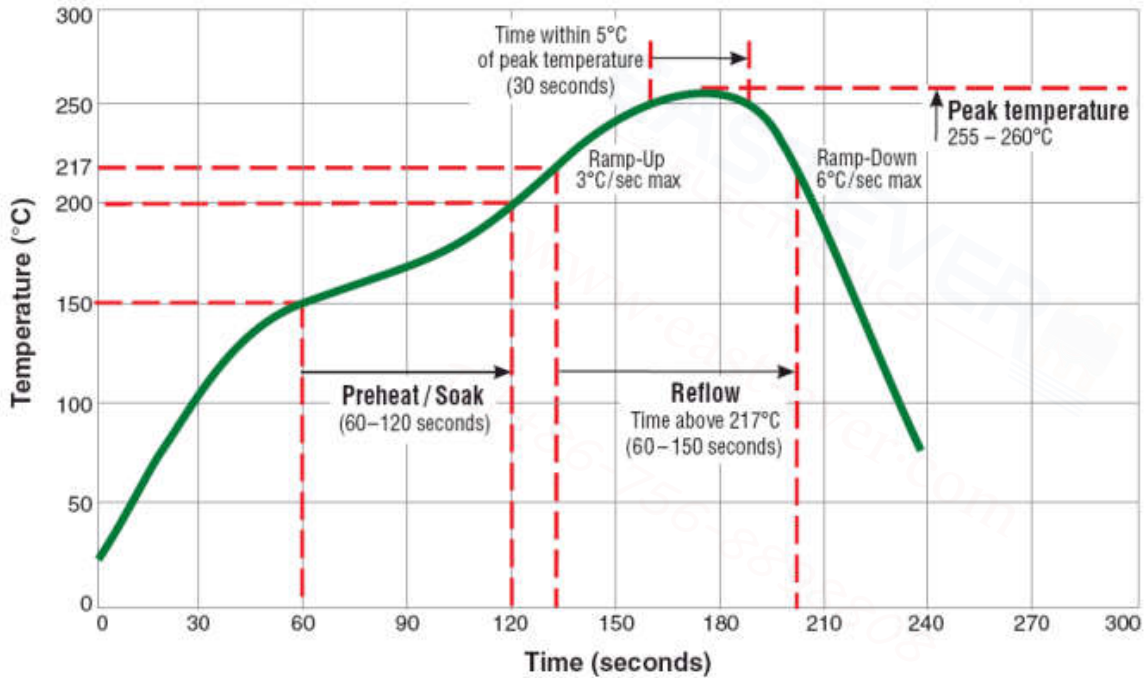


### Input Return Loss

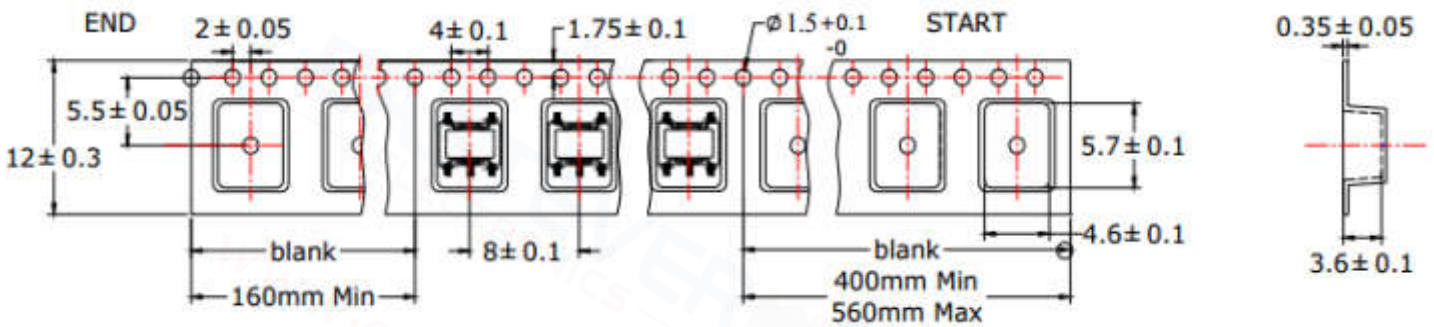


**Recommended Soldering Temperature Graph:**

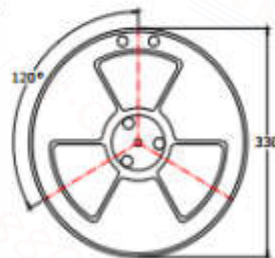
**Typical RoHS Reflow Profile**



**Packing Dimension For Caeier Tape(UNIT:mm):**



<b>QUANTITY</b>
2000pcs/reel
4Reel/Middle Carton
4Middle Carton/Big Carton
32000pcs/Big Carton



<b>SPEC</b>	8	12	16	24
DIM A±0.1	8.5	12.5	16.5	24.5
DIM B±0.1	2.3	2.3	2.3	2.3
DIM C±0.1	100	100	100	100

