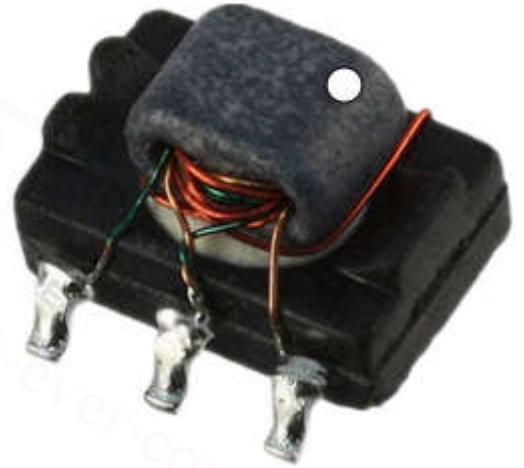


Features::

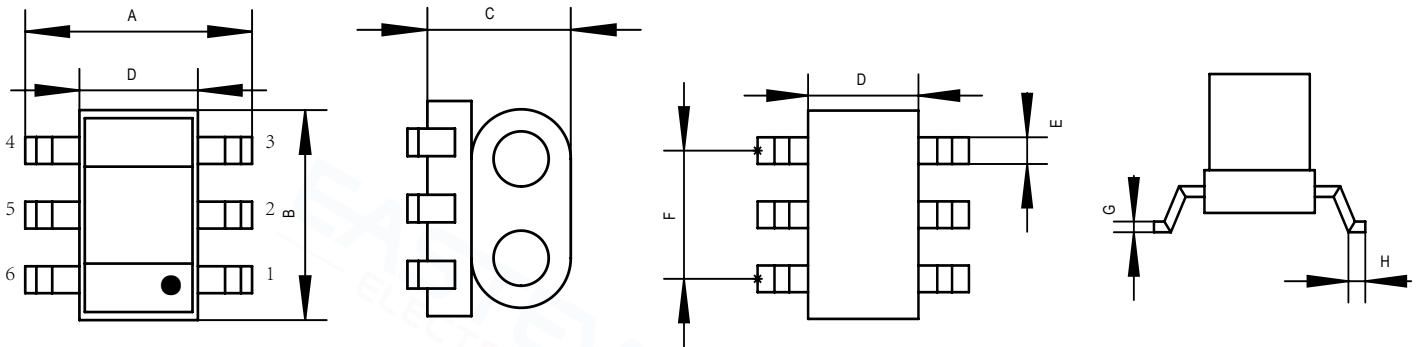
- ◆ 1.33: 1 Impedance
- ◆ 75Ω Impedance
- ◆ Frequency: 0.03 to 250.0 MHz
- ◆ RF power: 0.25W
- ◆ DC current: 30mA
- ◆ Operating temperature range: -40°C to +85°C
- ◆ Storage temperature range: -55°C to +100°C



Applications:

- ◆ For broadband and wireless communications
- ◆ For functional isolation

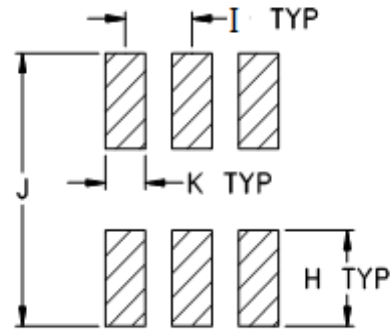
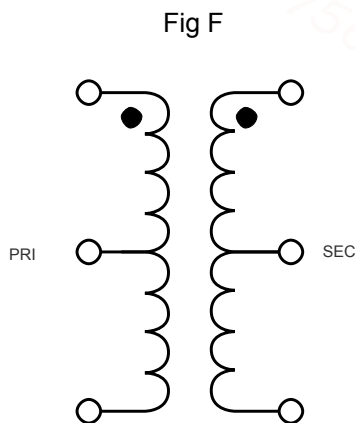
Dimension Diagram (Unit:mm) :



A=6.20±0.20 B=6.00±0.20 C=4.30±0.20 D=4.00±0.20 E=0.6±0.10 F=4.00±0.10 G=0.25±0.10 H=0.50±0.10

Electrical structure:

Recommended layout:

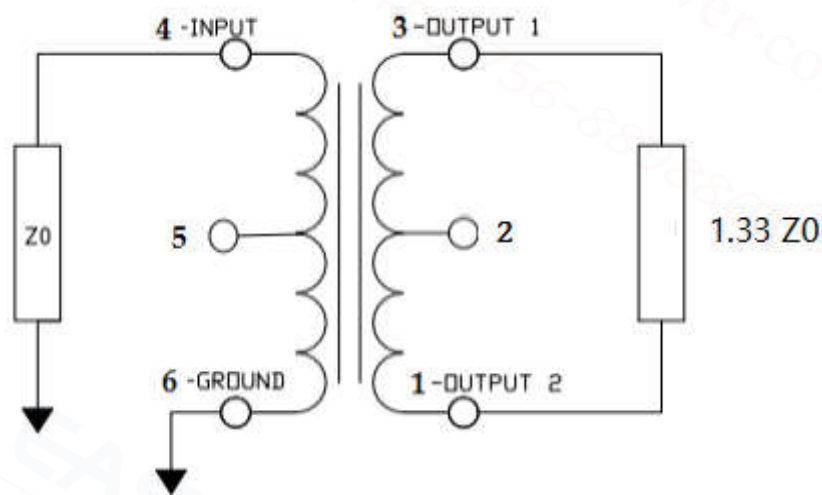


H	I	J	K
1.60	2.00	7.10	0.75

Pin configuration:

Pin No.	Function
1	Primary(Output 2)
2	Centre tap(NOT USE)
3	Primary dot(Output 1)
4	Secondary dot(Input)
5	Centre tap(NOT USE)
6	Secondary(Ground)

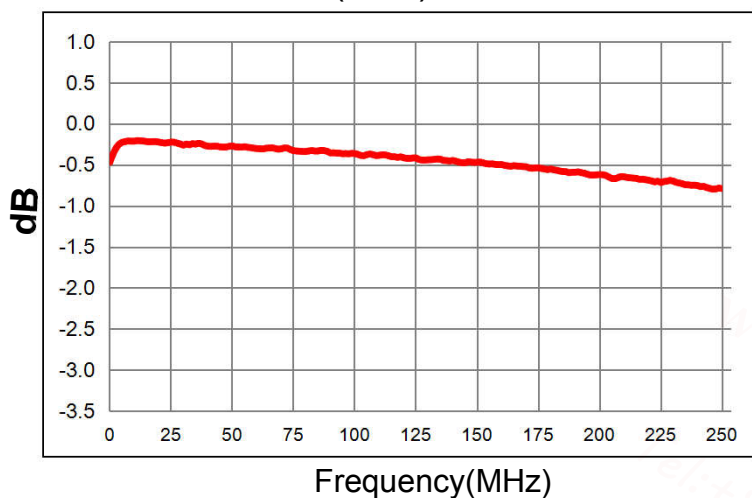
Application circuit :



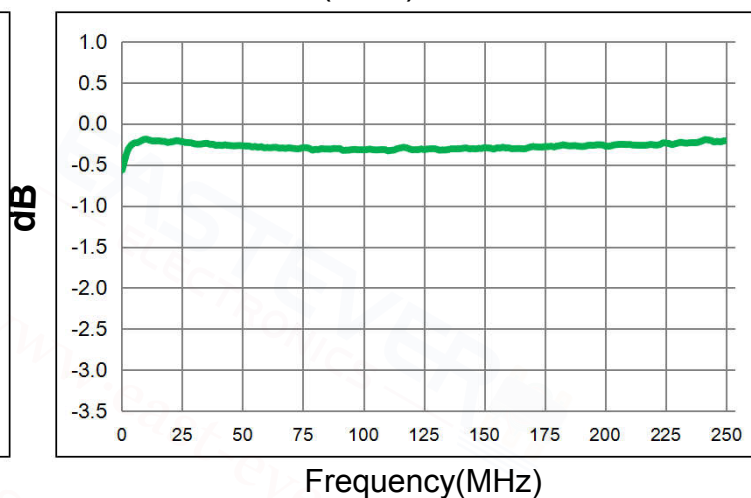
Electrical Specifications: TA=25°C , 0dBm,Z0=75Ω:

Parameter	Test Conditions	Units	Min	Typ	Max
Main line Loss(out1)	0.03-1MHz	dB	—	1.00	3.0
	1-125MHz	dB	—	0.40	1.0
	125-250MHz	dB	—	0.70	1.5
Main line Loss(out2)	0.03-1MHz	dB	—	0.80	3.0
	1-250MHz	dB	—	0.30	1.0
Amplitude Balance	0.03-1MHz	dB	—	±0.50	±0.7
	1-250MHz	dB	—	±0.30	±0.7
Phase Balance	0.03-1MHz	Degrees	—	±10.0	±10.0
	1-250MHz	Degrees	—	±5.0	±20.0
Input Return Loss	0.03-1MHz	dB	10.0	25.0	—
	1-125MHz	dB	18.0	30.0	—
	125-250MHz	dB	15.0	26.0	—

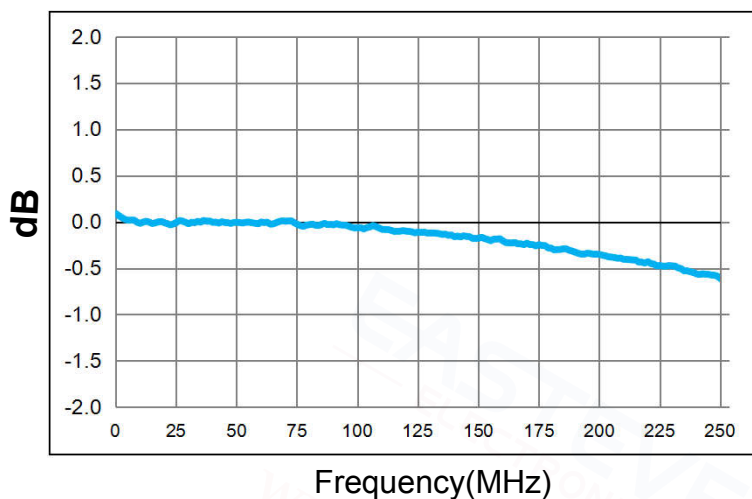
Main line Loss(out1)



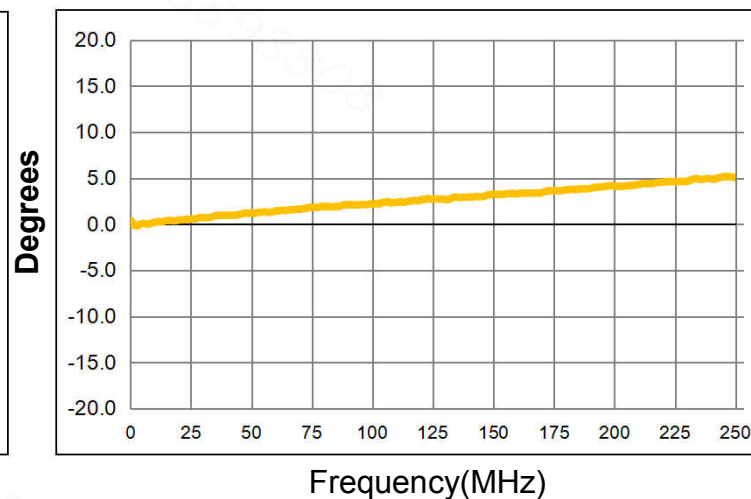
Main line Loss(out2)



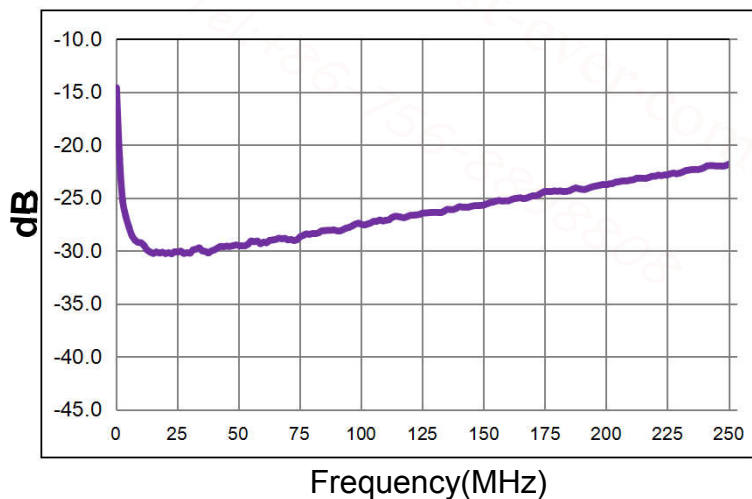
Amplitude Balance



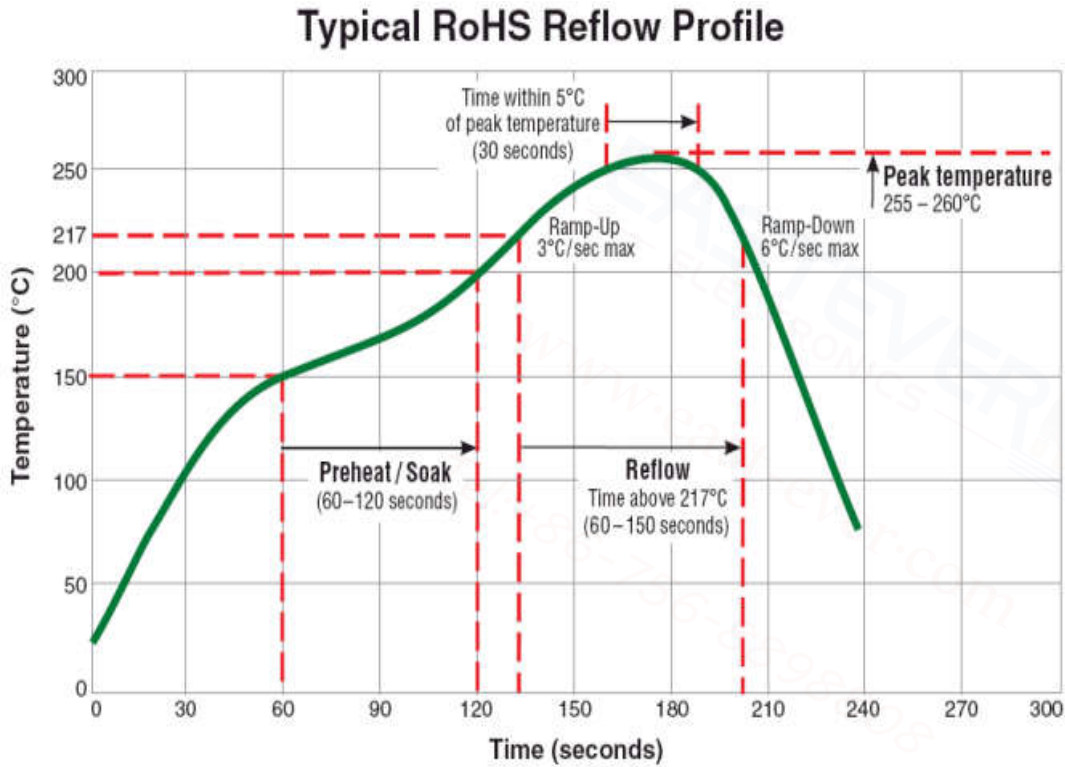
Phase Balance



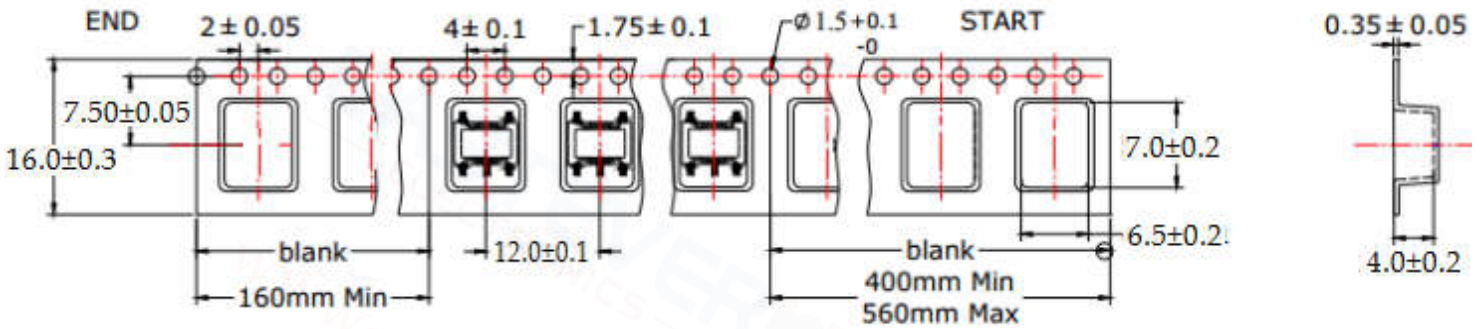
Input Return Loss



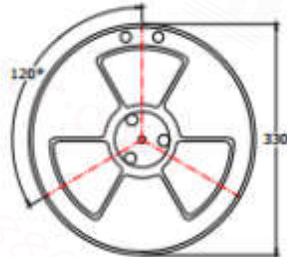
Recommended Soldering Temperature Graph:



Packging Dimension For Caeier Tape(UNIT:mm):



QUANTITY
1000PCS/Reel
3Reels/Middle Carton Middle Carton:
4 Middle Cartons/Big Carton
12000PCS/ Big Carton



SPEC	8	12	16	24
DIM A±0.1	8.5	12.5	16.5	24.5
DIM B±0.1	2.3	2.3	2.3	2.3
DIM C±0.1	100	100	100	100

