

Features:

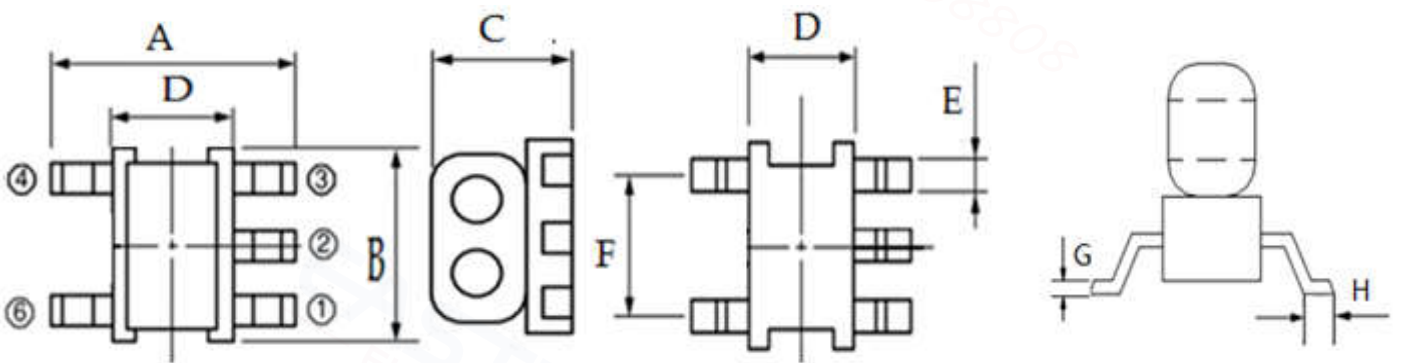
- ◆ Frequency Range: 5 to 1800 MHz
- ◆ Surface mount and available in tape and reel
- ◆ 260°C reflow compatible
- ◆ RoHS Compliant and Pb free
- ◆ Operating temperature range: -40°C to +85°C
- ◆ Storage temperature range: -55°C to +100°C



Applications:

- ◆ For catv
- ◆ For broadband and wireless communications

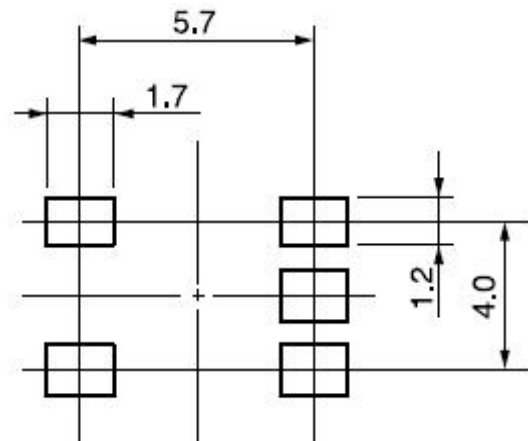
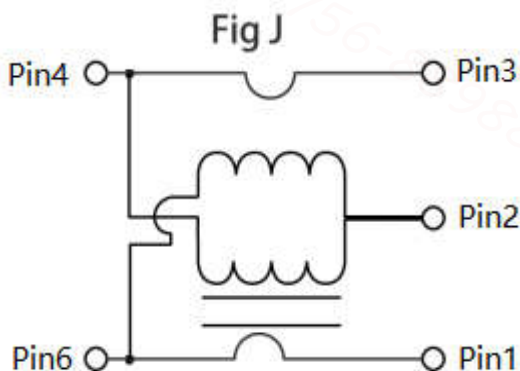
Dimension diagram (Unit:mm) :



A=6.10±0.20 B=6.00±0.20 C=4.00 Max D=4.00±0.20 E=0.60±0.05 F=4.00±0.10 G=0.30±0.05 H=0.60±0.10

Electrical structure:

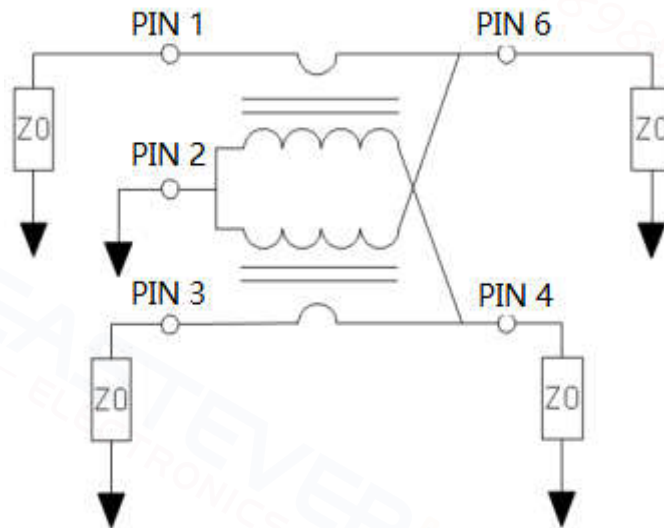
Recommended layout(mm):



Pin configuration:

| Pin No. | Function |
|---------|----------|
| 1 | Input |
| 2 | Ground |
| 3 | Coupled |
| 4 | Isolated |
| 6 | Output |

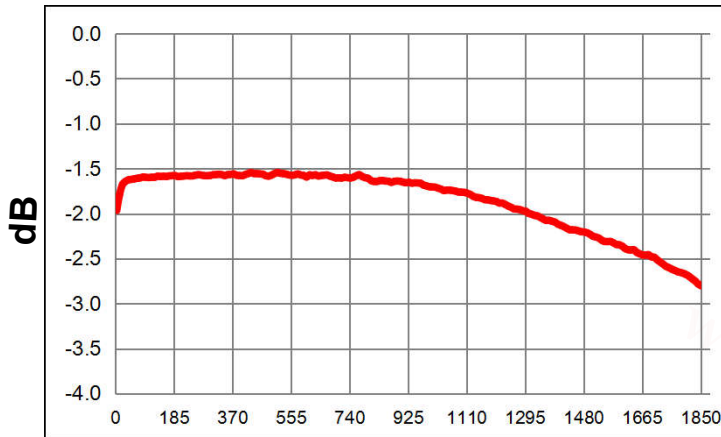
Application circuit :



Electrical Specifications: TA=25°C , 0dBm, Z0=75Ω

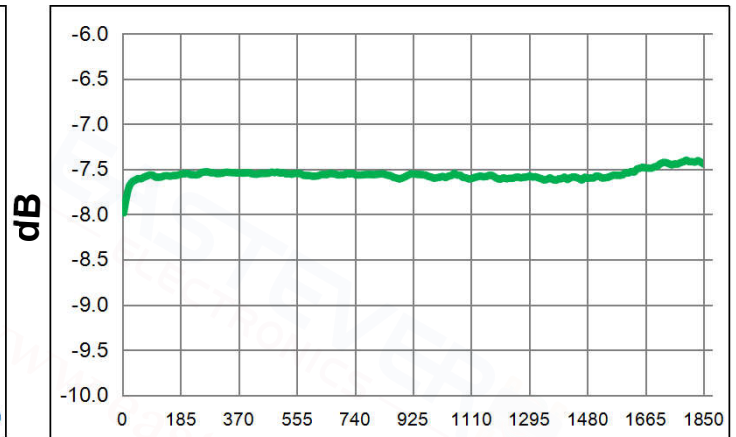
| Parameter | Test Conditions | Units | Min | Typ | Max |
|----------------------|-----------------|-------|------|------|-----|
| Main line Loss | 5-1800MHz | dB | — | 1.60 | 3.5 |
| Coupling | 5-1800MHz | dB | 7.2 | 7.7 | 8.5 |
| Input Return Loss | 5-1800MHz | dB | 12.0 | 20.0 | — |
| Output Return Loss | 5-1800MHz | dB | 16.0 | 25.0 | — |
| Coupling Return Loss | 5-1800MHz | dB | 10.0 | 20.0 | — |
| Isolation | 5-1800MHz | dB | 16.0 | 19.0 | — |

Main line Loss(pin1-6):



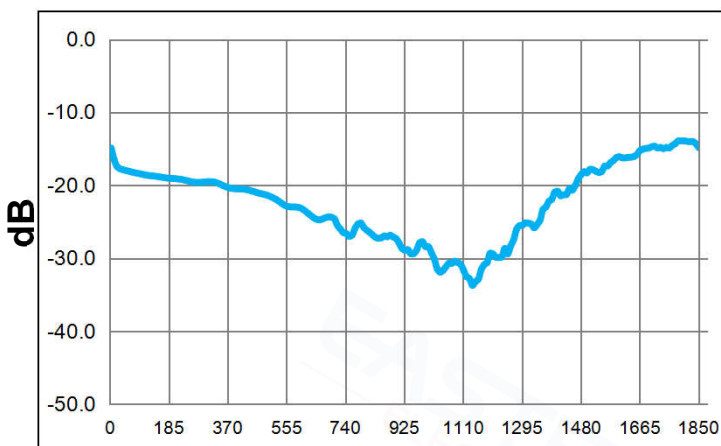
Frequency(MHz)

Coupling(pin1-3):



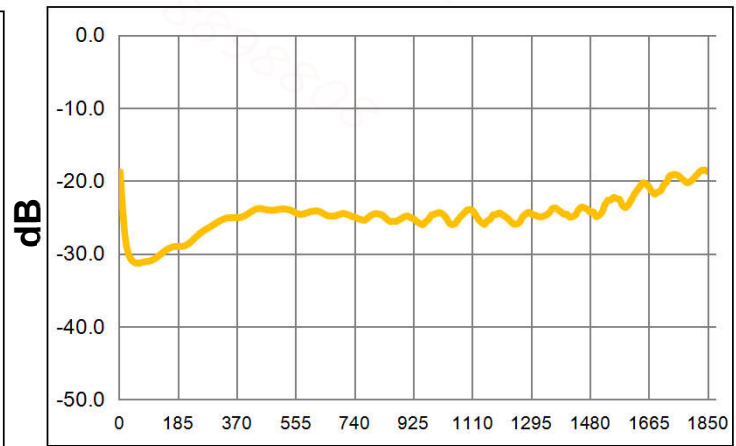
Frequency(MHz)

Input Return Loss (Pin1)



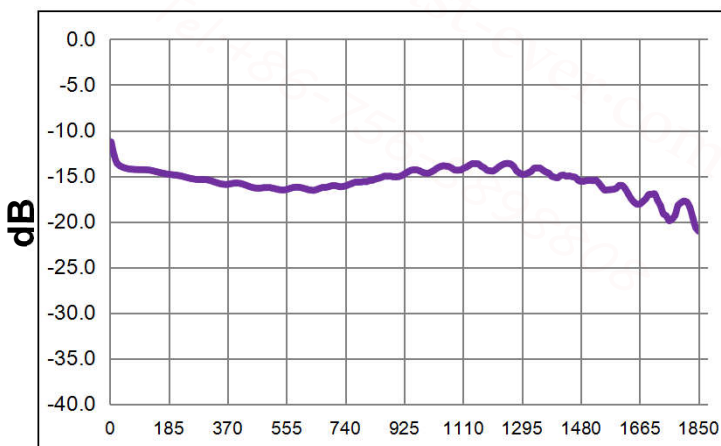
Frequency(MHz)

Output Return Loss (Pin6)



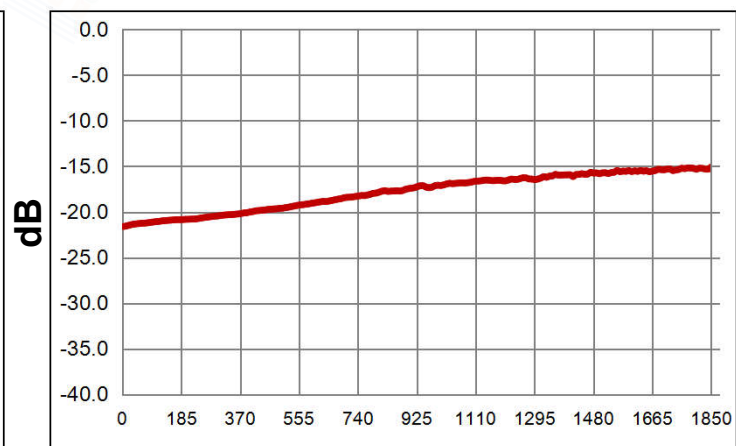
Frequency(MHz)

Coupling Return Loss (Pin3)



Frequency(MHz)

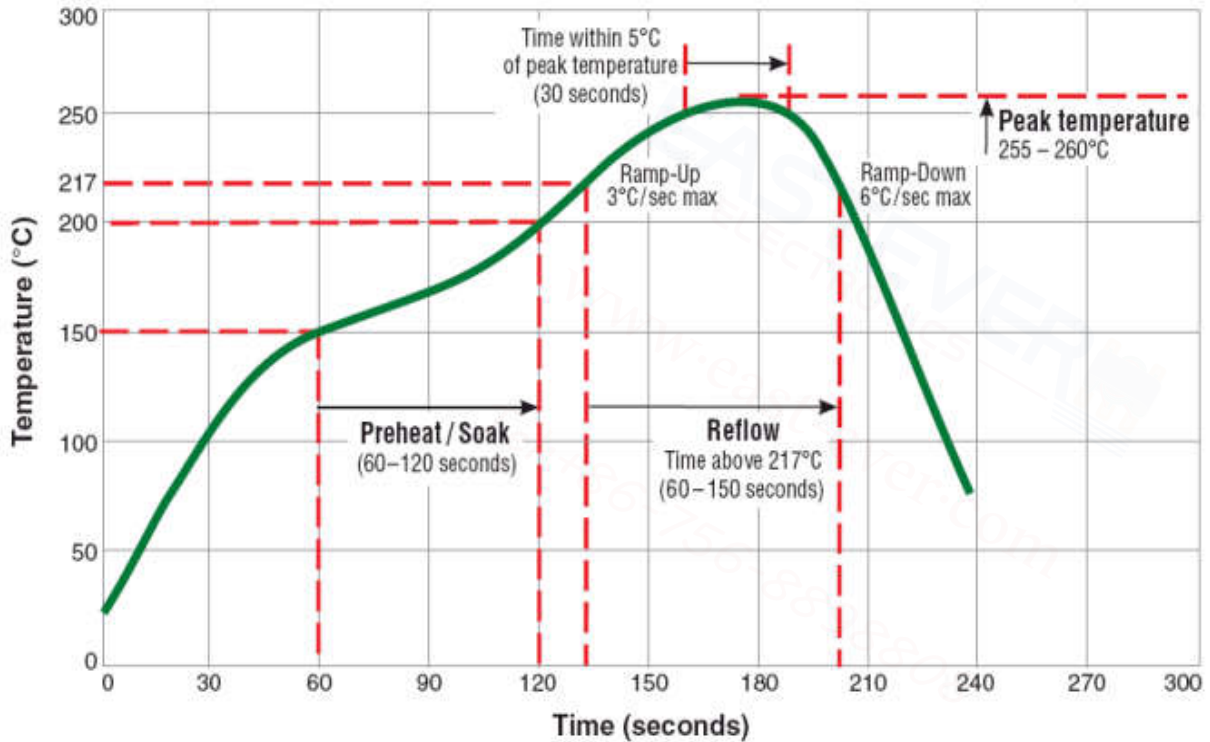
Isolation (Pin1-4)



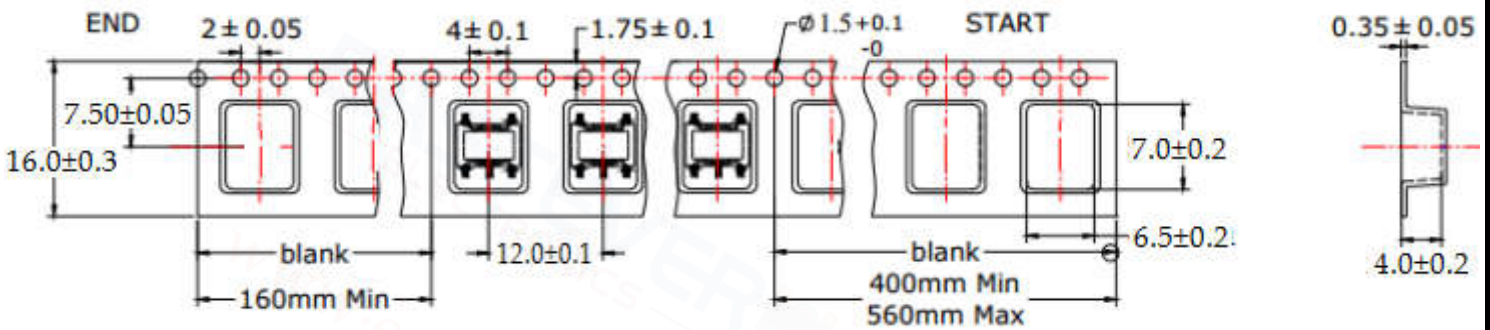
Frequency(MHz)

Recommended Soldering Temperature Graph:

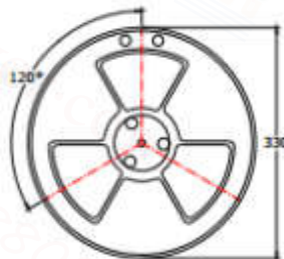
Typical RoHS Reflow Profile



Packaging Dimension For Caeier Tape(UNIT:mm):



| |
|-------------------------------------|
| QUANTITY |
| 1000PCS/Reel |
| 3Reels/Middle Carton Middle Carton: |
| 4 Middle Cartons/Big Carton |
| 12000PCS/ Big Carton |



| | | | | |
|-------------|-----|------|------|------|
| SPEC | 8 | 12 | 16 | 24 |
| DIM A±0.1 | 8.5 | 12.5 | 16.5 | 24.5 |
| DIM B±0.1 | 2.3 | 2.3 | 2.3 | 2.3 |
| DIM C±0.1 | 100 | 100 | 100 | 100 |

