

**Features:**

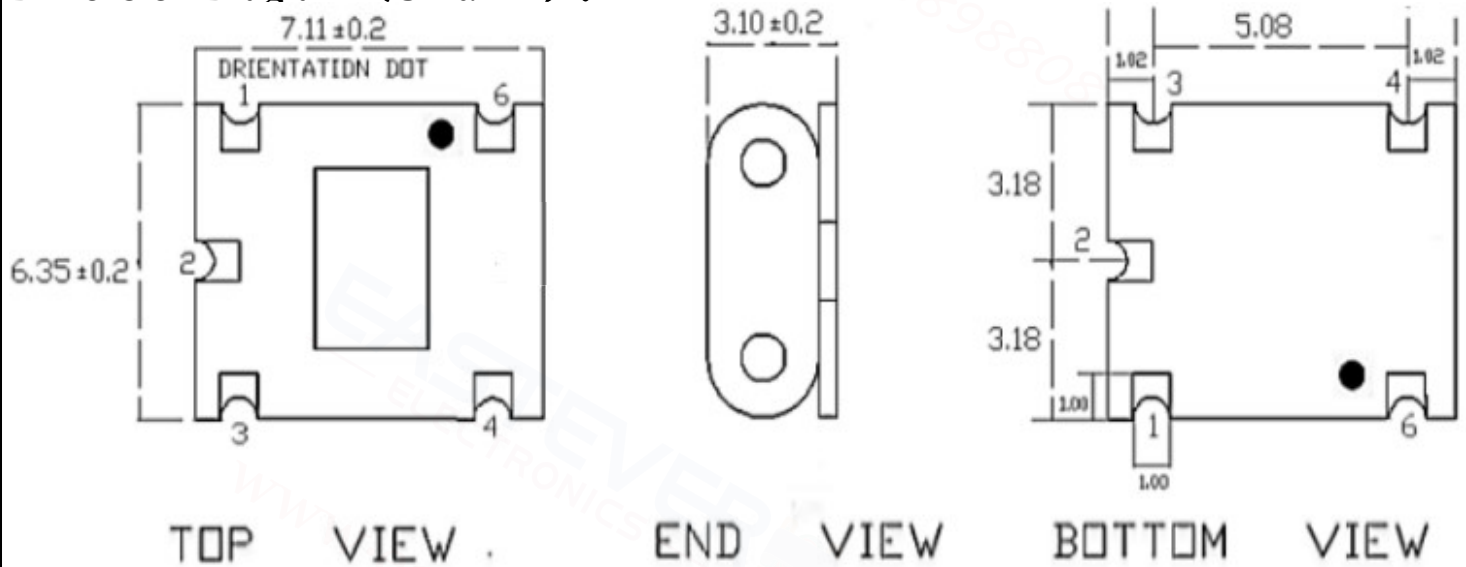
- ◆ Equivalent to: MABA-011050
- ◆ 75Ω Characteristic Impedance
- ◆ Frequency: 5 to 300 MHz
- ◆ RF power: 0.50W
- ◆ Operating temperature range: -40°C to +85°C
- ◆ Storage temperature range: -55°C to +100°C



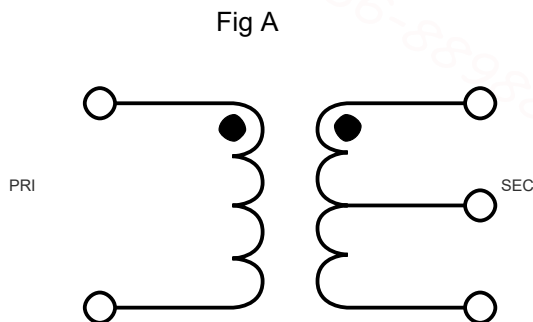
**Applications:**

- ◆ For broadband and wireless communications
- ◆ For VHF/UHF receivers/transmitters and push-pull amplifiers

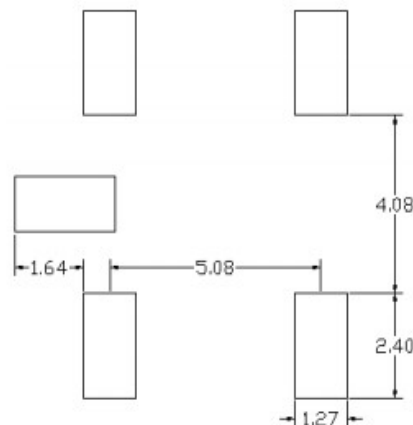
**Dimension Diagram (Unit:mm) :**



**Electrical structure:**



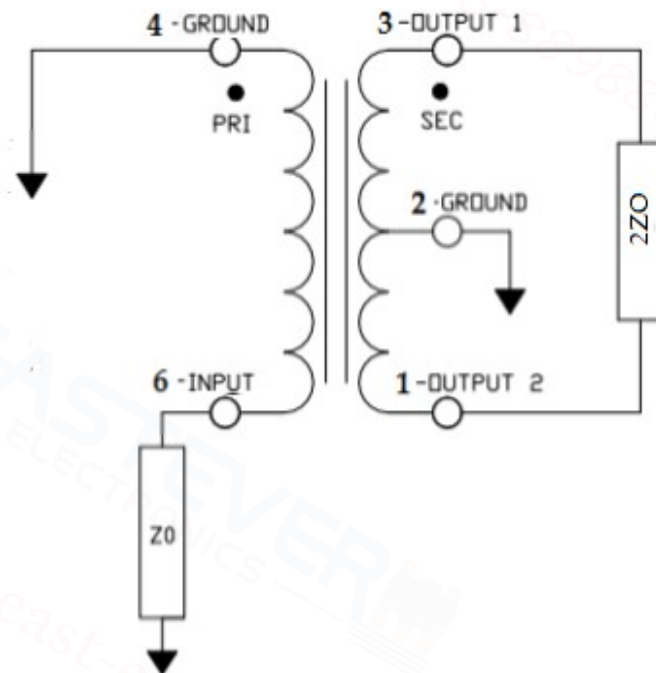
**Recommended layout:**



Pin configuration:

Pin no.	Function
1	Secondary Dot
2	Secondary Centre Tap
3	Secondary
4	Primary
6	Primary Dot

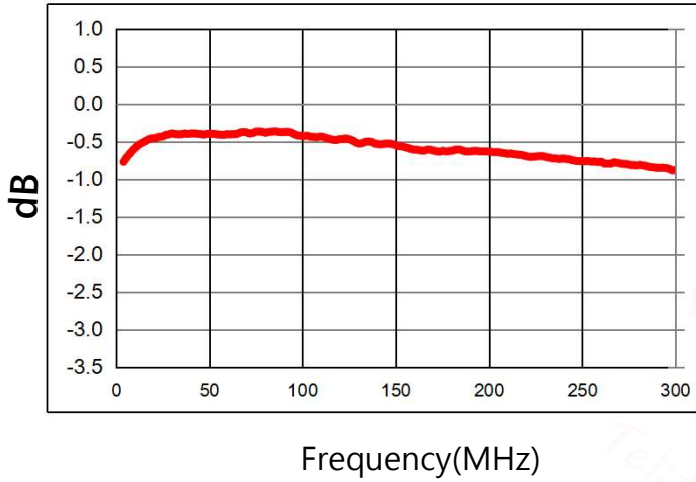
Application circuit :



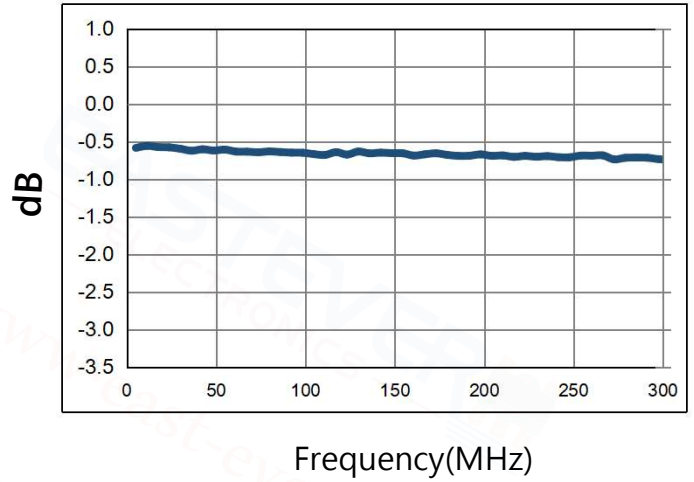
Electrical Specifications: TA=25°C Z0=75Ω

Parameter	Test Conditions	Units	Min	Typ	Max
Main line Loss(out1)	5-300MHz	dB		0.5	1.5
Main line Loss(out2)	5-300MHz	dB	—	0.7	1.5
Amplitude Balance	5-300MHz	dB	—	0.1	1.2
Phase Balance	5-300MHz	dB	—	2.0	10.0
Input Return Loss	5-300MHz	dB	10.0	20.0	—

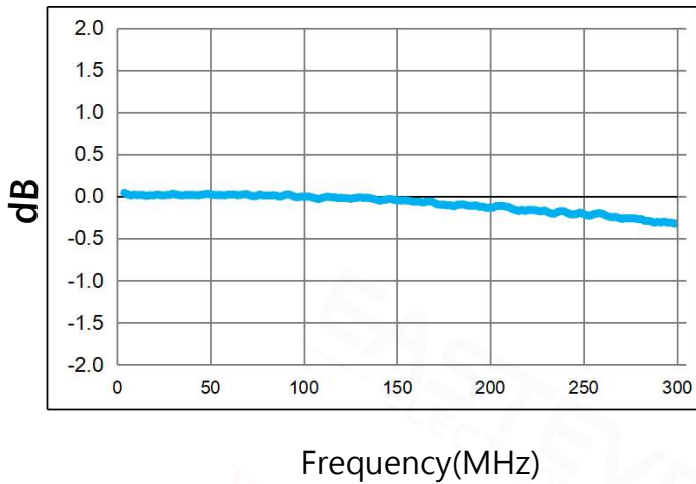
### Main line Loss(out1)



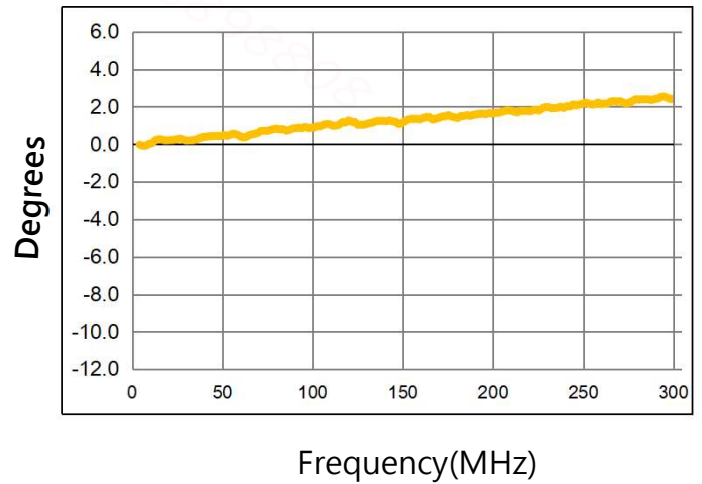
### Main line Loss(out2)



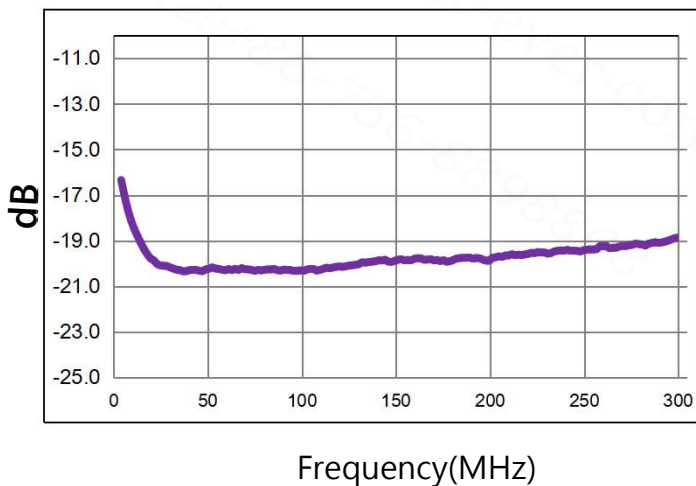
### Amplitude Balance



### Phase Balance

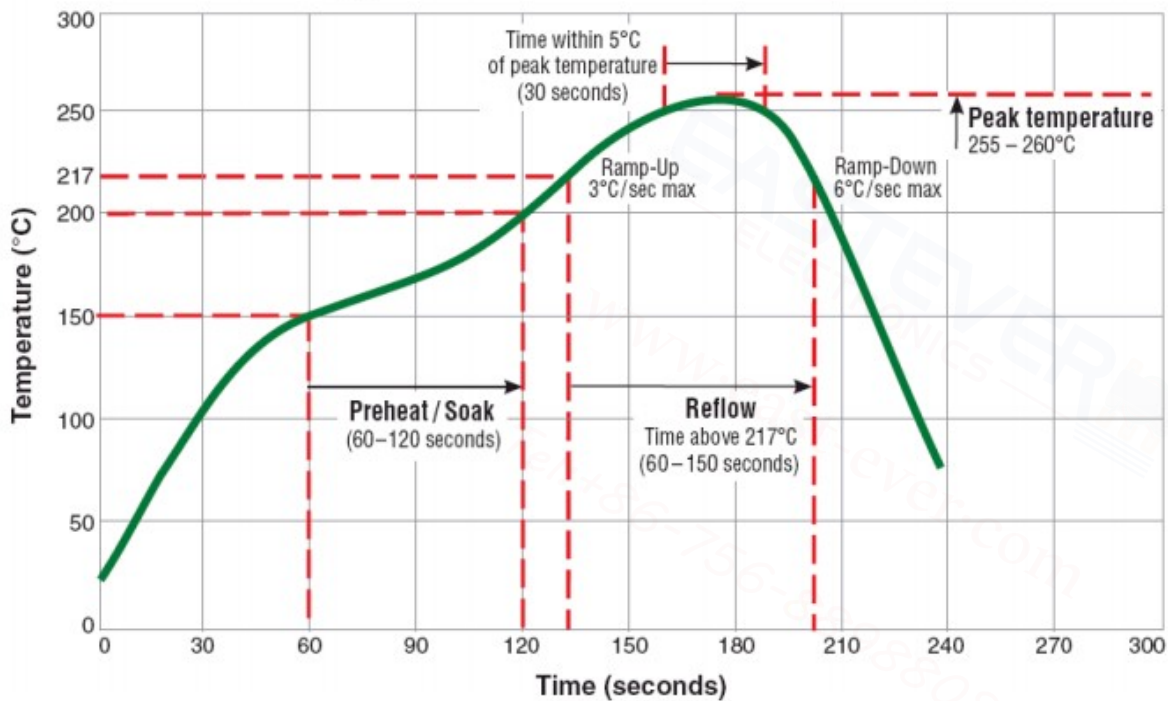


### Input Return Loss

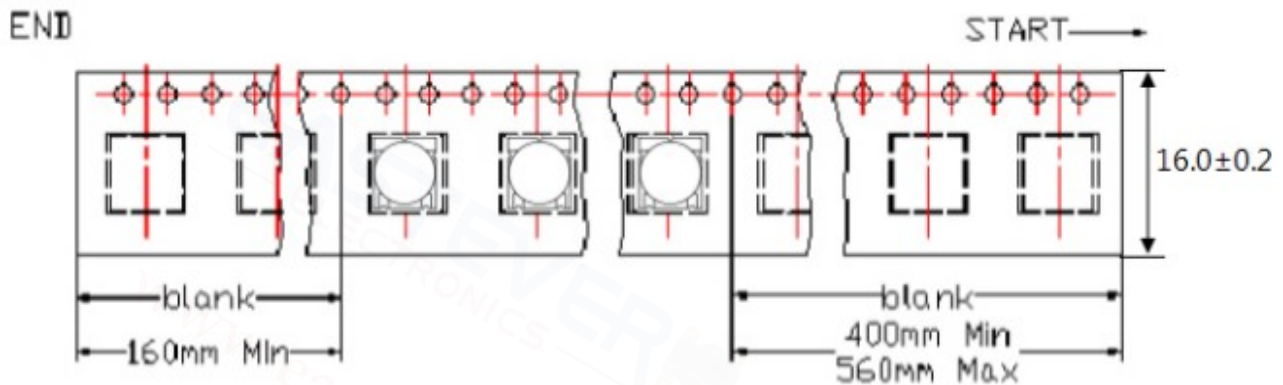


Recommended Soldering Temperature Graph:

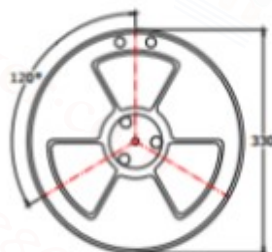
Typical RoHS Reflow Profile



Packaging Dimension For Caeier Tape(UNIT:mm):



<b>QUANTITY</b>
1500PCS/Reel
3Reels/Middle Carton Middle Carton:
4 Middle Cartons/Big Carton
18000PCS/ Big Carton



SPEC	8	12	16	24
DIM A±0.1	8.5	12.5	16.5	24.5
DIM B±0.1	2.3	2.3	2.3	2.3
DIM C±0.1	100	100	100	100

