

Features:

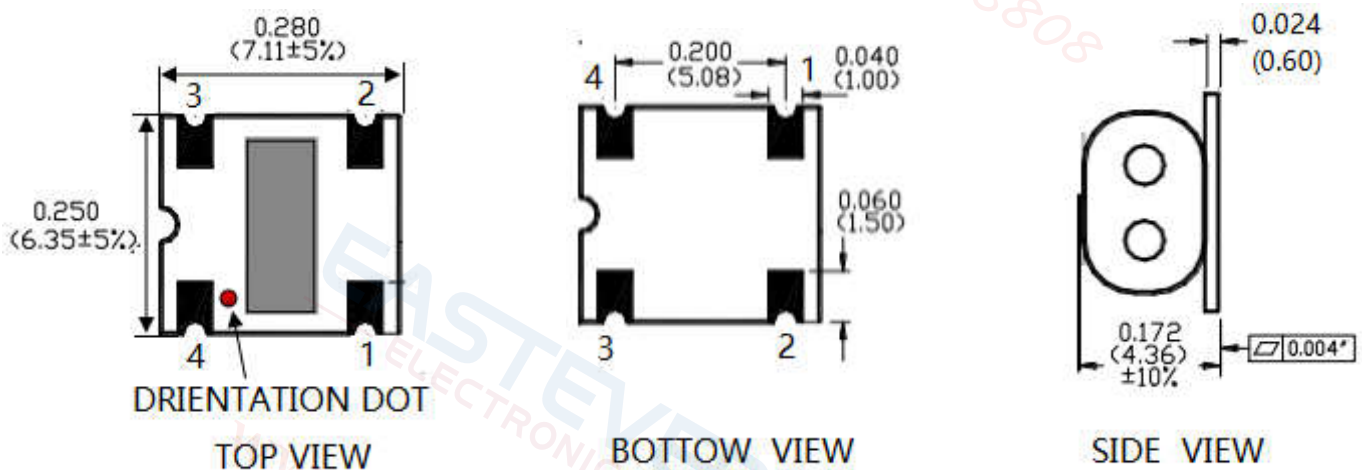
- ◆ 1: 1 Impedance
- ◆ 75Ω Impedance
- ◆ Frequency: 40 to 1250 MHz
- ◆ RF power: 0.25W
- ◆ DC current: 30mA
- ◆ Insertion loss: 1.6dB Max; Input Return loss: 12.0dB Min
- ◆ Operating temperature range: -40°C to +85°C
- ◆ Storage temperature range: -55°C to +100°C



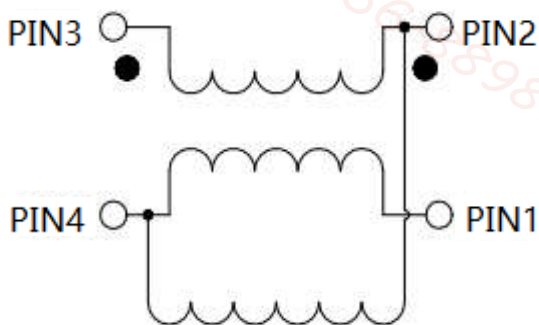
Applications:

- ◆ For broadband and wireless communications
- ◆ For VHF/UHF receivers/transmitters and push-pull amplifiers

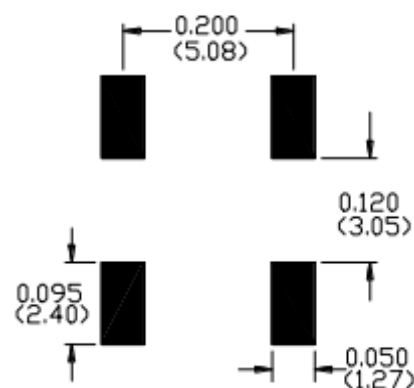
Dimension Diagram[inches(mm)]:



Electrical structure:



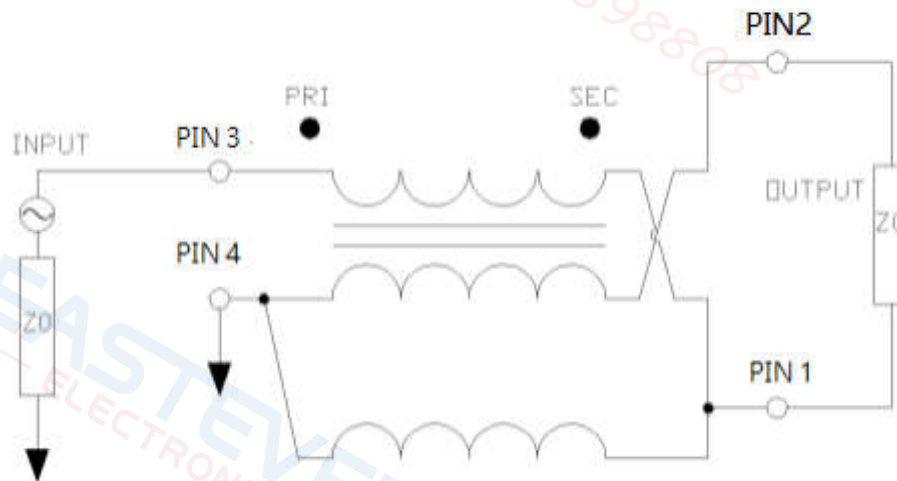
Recommended layout[inches(mm)]:



Pin configuration:

Pin no.	Function
1	Secondary (Output 2)
2	Secondary dot (Output 1)
3	Primary dot (Input)
4	Primary (Ground)

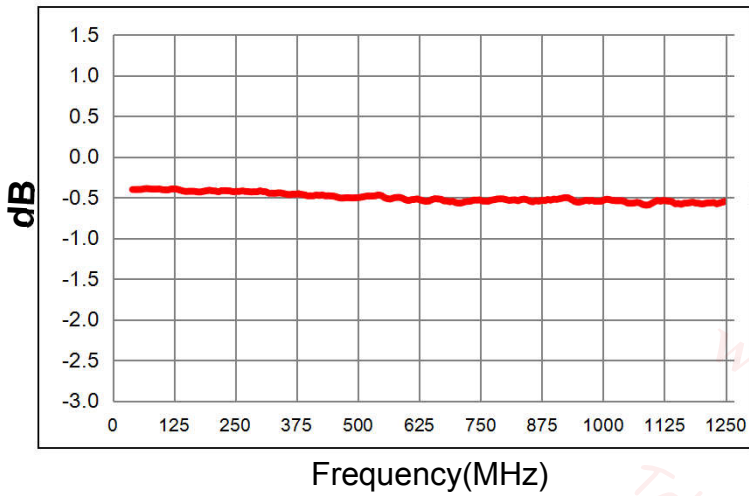
Application circuit :



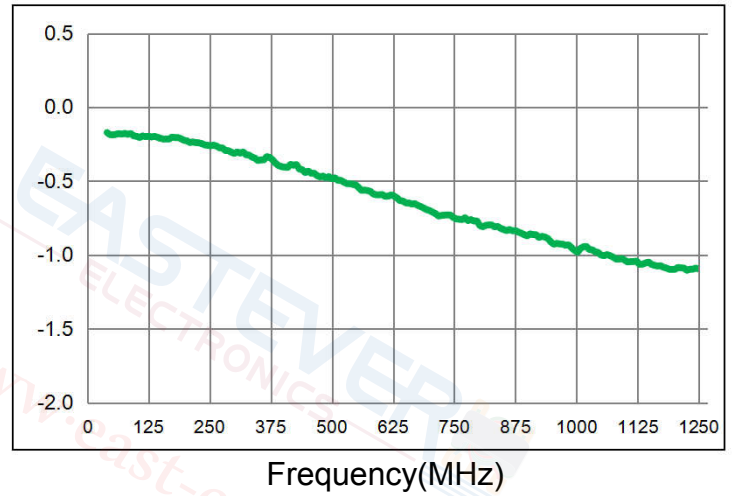
Electrical Specifications: TA=25°C, 0dBm, Z0=75Ω:

Parameter	Test Conditions	Units	Min	Typ	Max
Main line Loss(out1)	40-1250MHz	dB	—	0.5	1.3
Main line Loss(out2)	40-500MHz	dB	—	0.3	0.8
	500-1250MHz	dB	—	0.9	1.6
Amplitude Balance	40-1250MHz	dB	—	0.3	±0.5
Phase Balance	40-1250MHz	Degrees	—	1.0	±10.0
Input Return Loss	40-1250MHz	dB	12.0	18.0	—

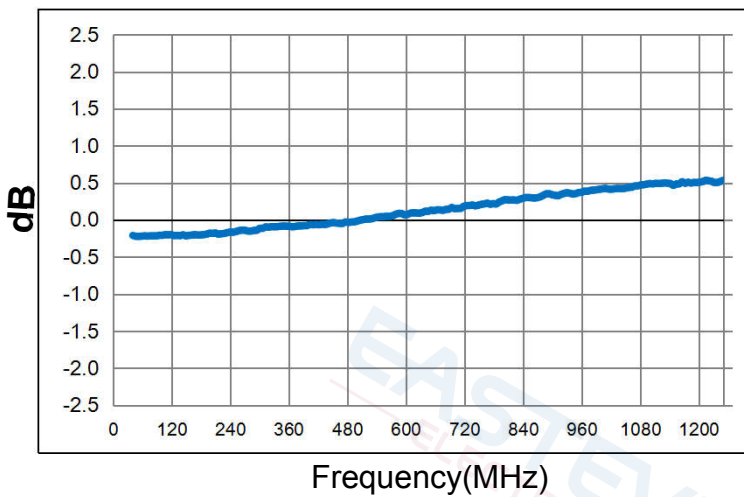
Main line Loss(out1)



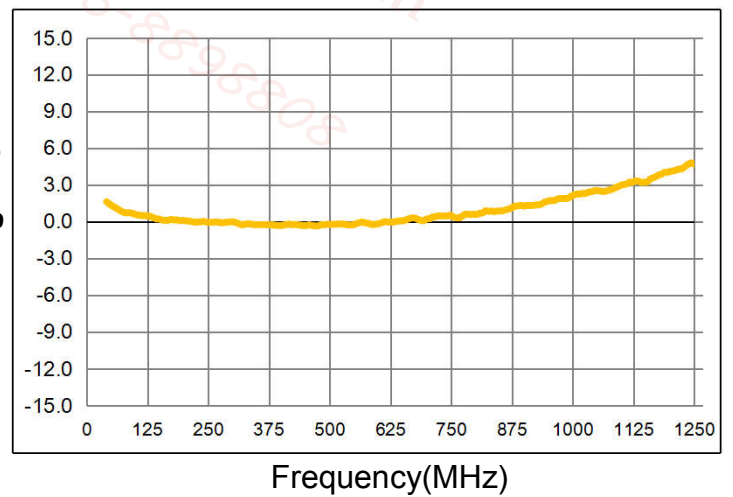
Main line Loss(out2)



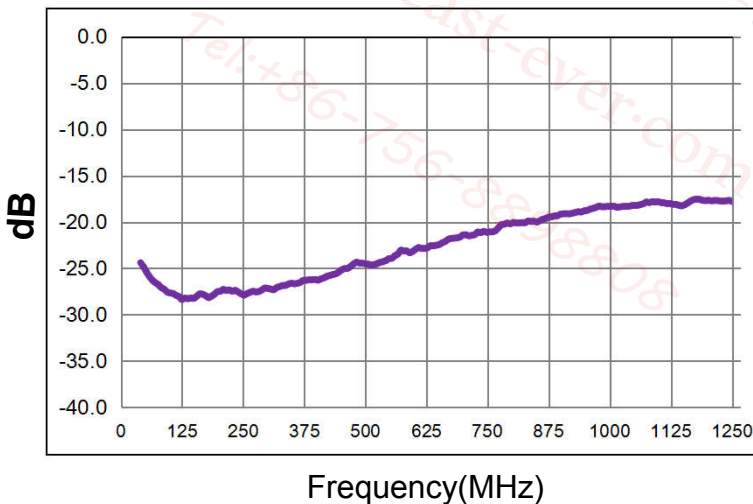
Amplitude Balance



Phase Balance

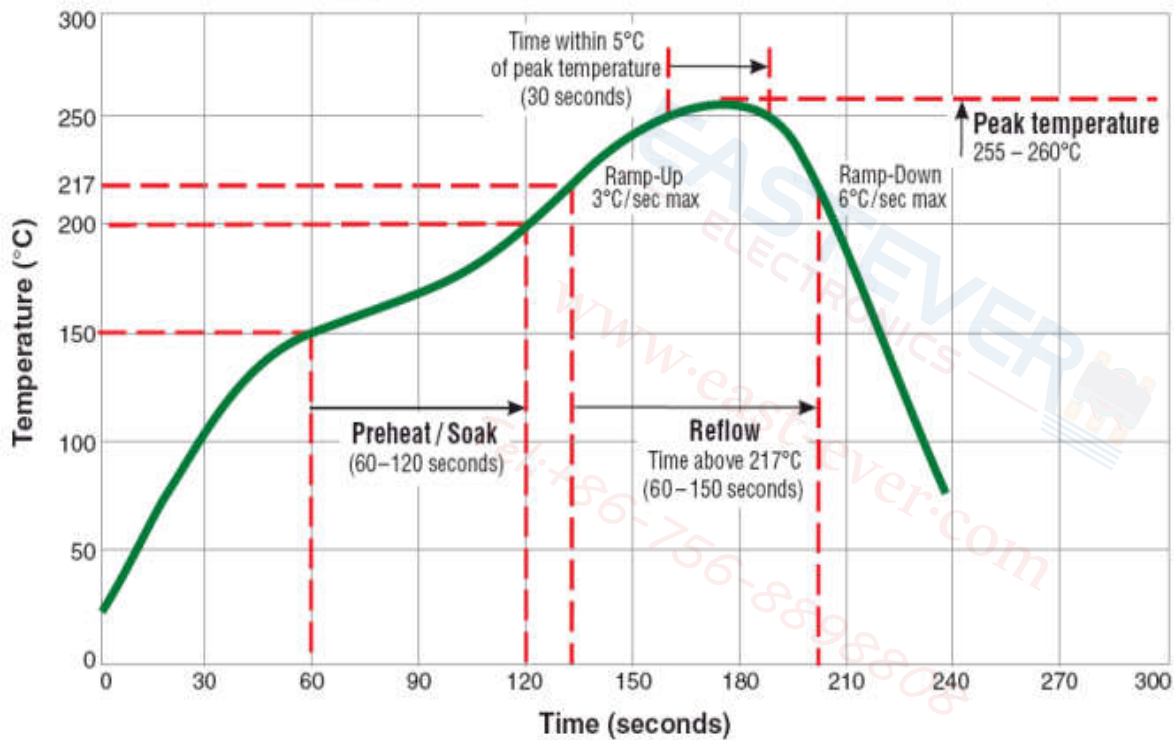


Input Return Loss

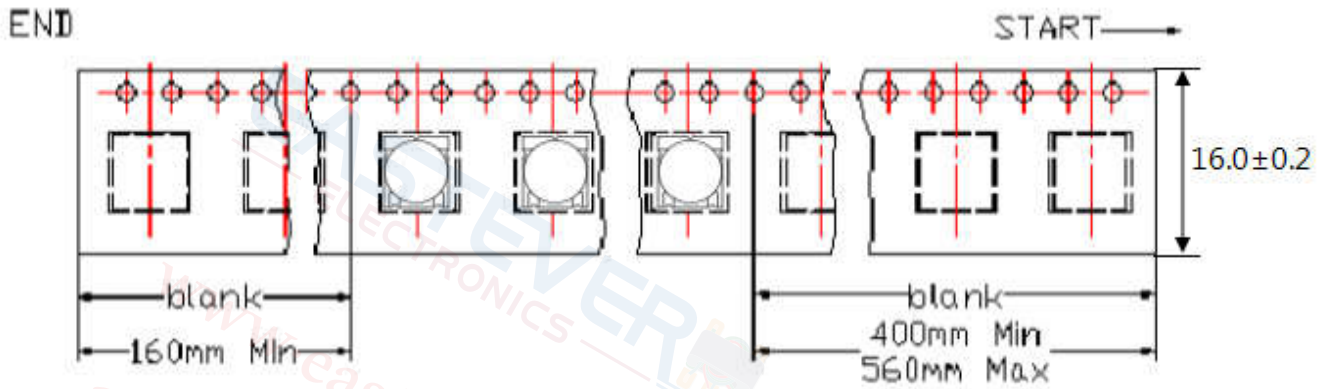


Recommended Soldering Temperature Graph:

Typical RoHS Reflow Profile



Packging Dimension For Caeier Tape(UNIT:mm):



QUANTITY
1500PCS/Reel
3Reels/Middle Carton Middle Carton:
4 Middle Cartons/Big Carton
18000PCS/ Big Carton



SPEC	8	12	16	24
DIM A±0.1	8.5	12.5	16.5	24.5
DIM B±0.1	2.3	2.3	2.3	2.3
DIM C±0.1	100	100	100	100

