

### Features:

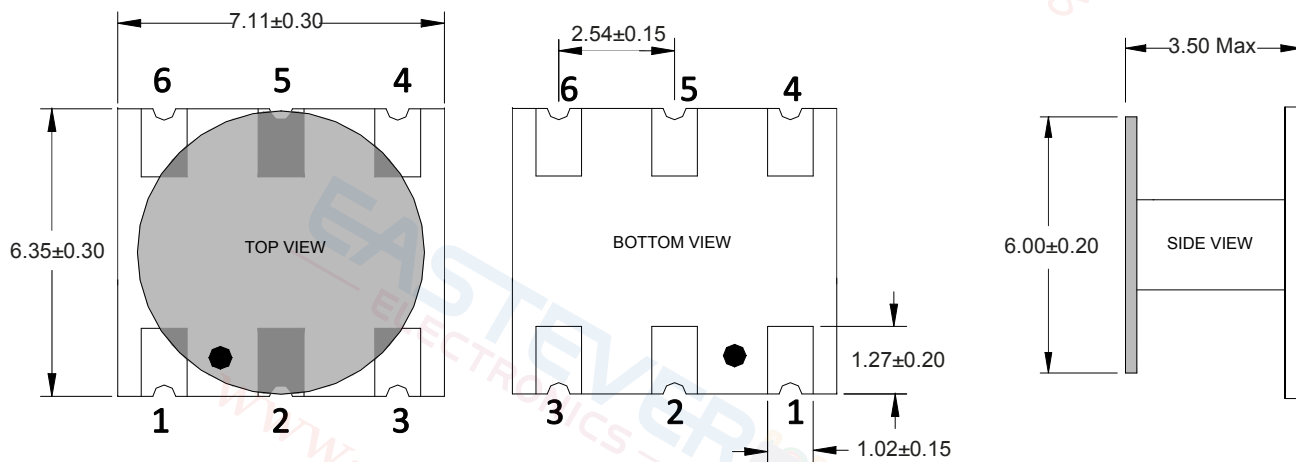
- ◆ Equivalent to: MAPDCT0029
- ◆ 75Ω Characteristic Impedance
- ◆ Frequency: 5to1250 MHz
- ◆ Power Input(as a splitter): 0.50W Max
- ◆ DC current: 30mA
- ◆ Operating temperature range: -40°C to +85°C
- ◆ Storage temperature range: -55°C to +100°C



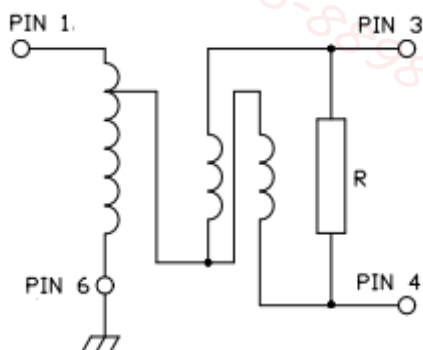
### Applications:

- ◆ For CATV broadband applications
- ◆ For VHF/UHF receivers/transmitters and push-pull amplifiers

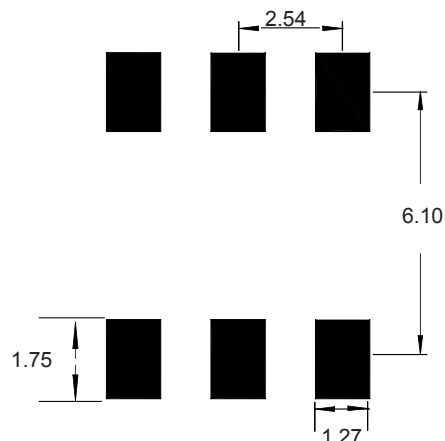
### Dimension Diagram (Unit:±0.20mm) :



### Electrical structure:

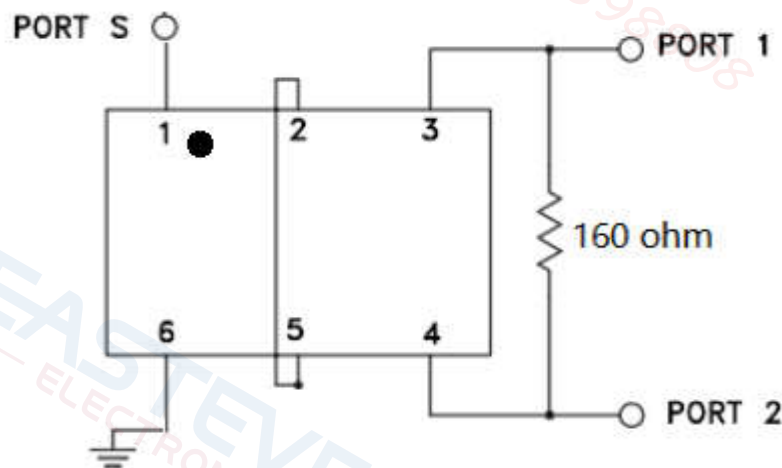


### Recommended layout:



**Pin configuration:**

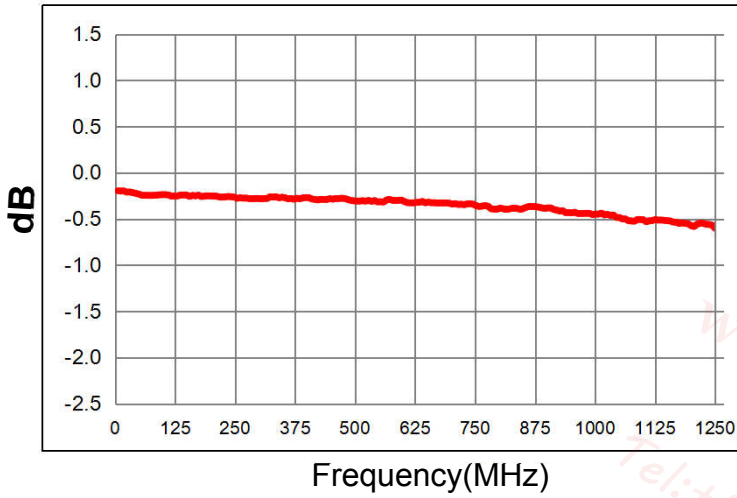
Pin No.	Function
1	Input
2	Not connected (ground)
3	Output 1
4	Output 2
5	Not connected (ground)
6	Ground

**Application circuit :**

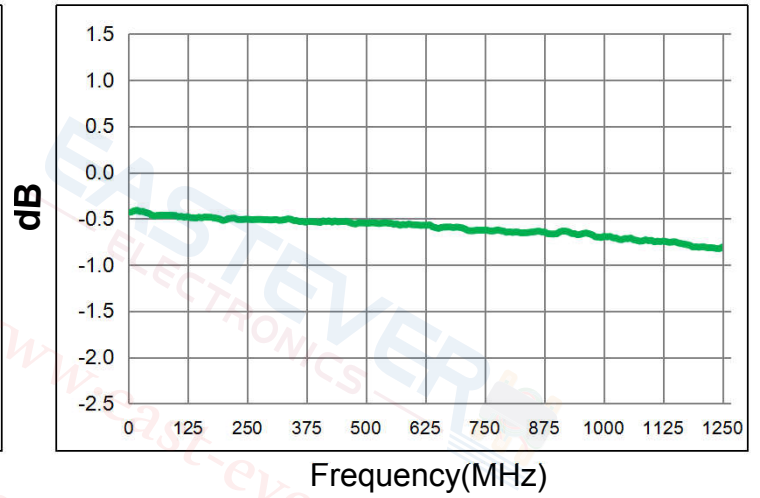
**Electrical Specifications:**  $T_A = 25^\circ\text{C}$   $Z_0 = 75\Omega$

Parameter	Test Conditions	Units	Min	Typ	Max
Main line Loss(out1)	5-1250MHz	dB	—	0.4	1.2
Main line Loss(out2)	5-1250MHz	dB	—	0.7	1.4
Input Return Loss	5-1250MHz	dB	18.0	32.0	
Output 1 Return Loss	5-1250MHz	dB	14.0	22.0	
Output 2 Return Loss	5-1250MHz	dB	14.0	25.0	
Isolation	5-1250MHz	dB	14.0	30.0	

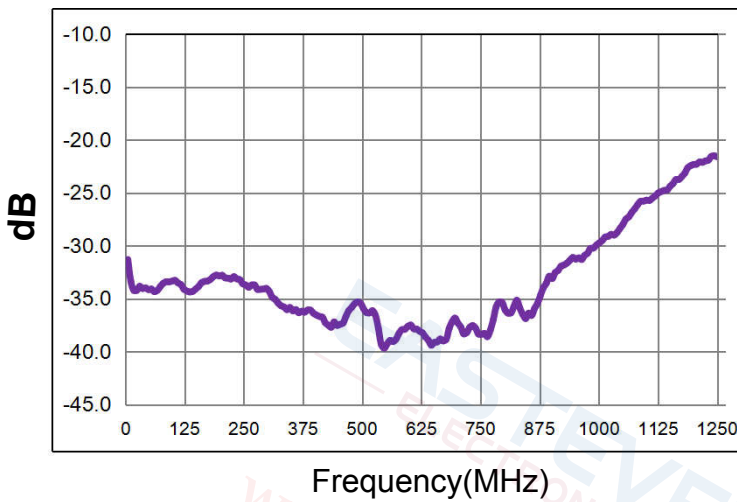
### Main line Loss(port1)



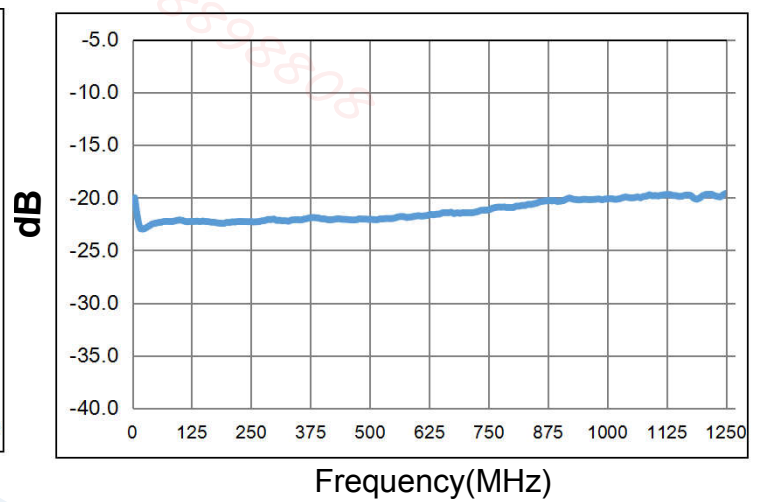
### Main line Loss(port2)



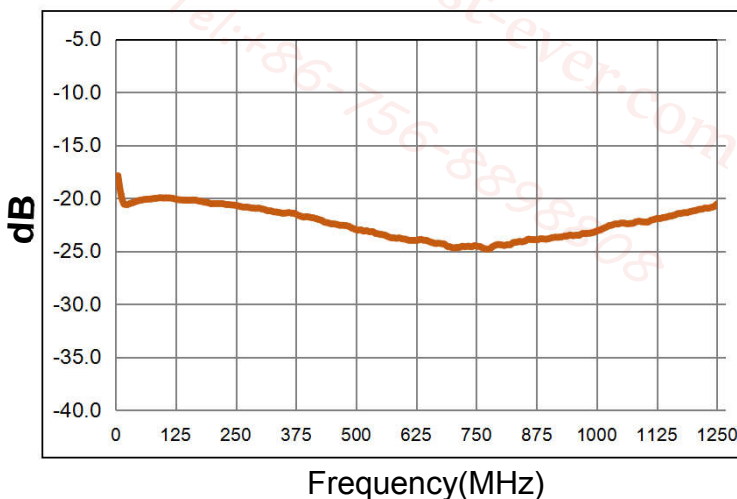
### Input Return Loss



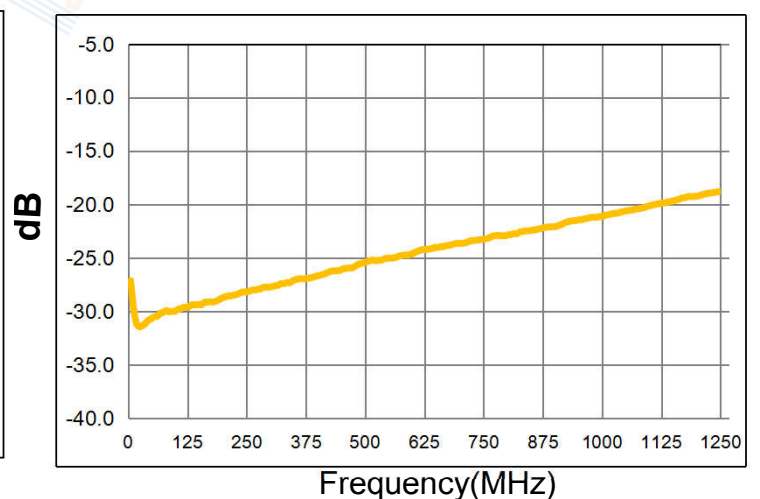
### Output 1 Return Loss



### Output 2 Return Loss

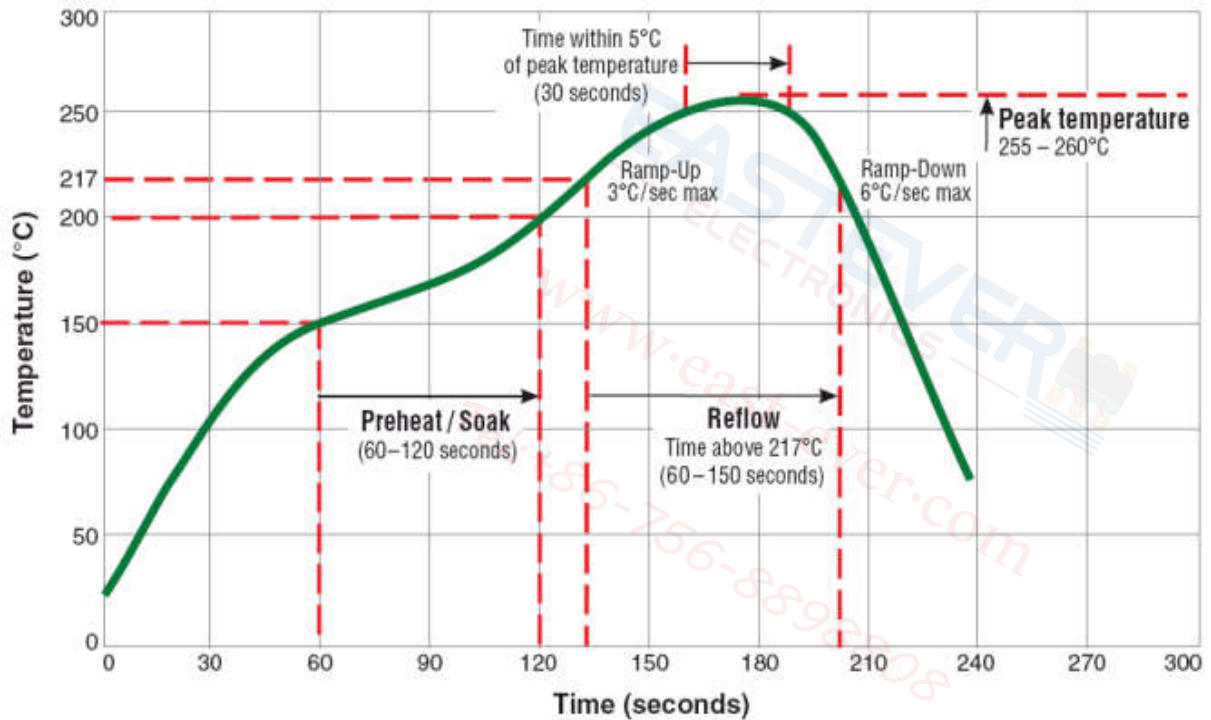


### Isolation

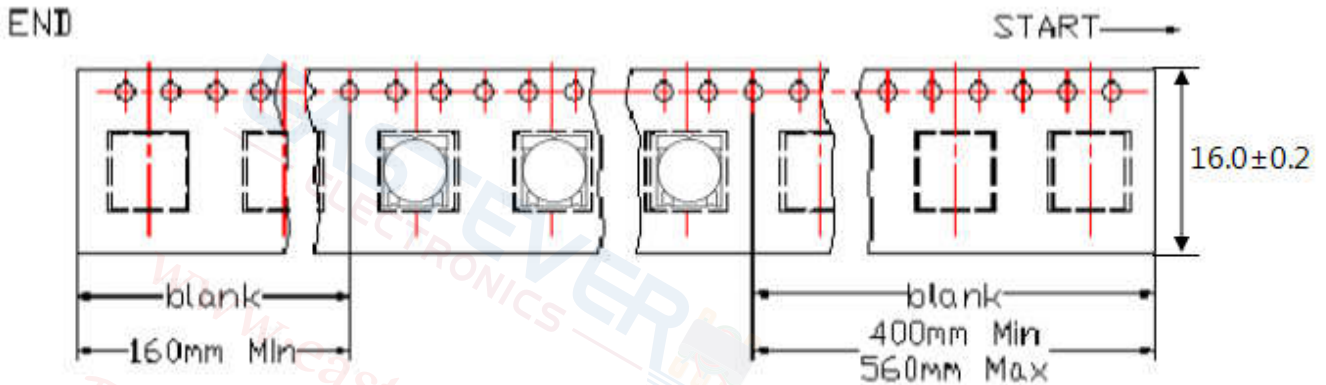


**Recommended Soldering Temperature Graph:**

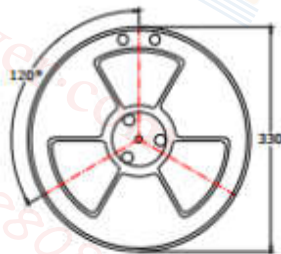
**Typical RoHS Reflow Profile**



**Packing Dimension For Caeier Tape(UNIT:mm):**



QUANTITY	
1500PCS/Reel	
3Reels/Middle Carton Middle Carton:	
4 Middle Cartons/Big Carton	
18000PCS/ Big Carton	



SPEC	8	12	16	24
DIM A±0.1	8.5	12.5	16.5	24.5
DIM B±0.1	2.3	2.3	2.3	2.3
DIM C±0.1	100	100	100	100

